

# Mounting plate series 500 and $\varnothing 18$ mm

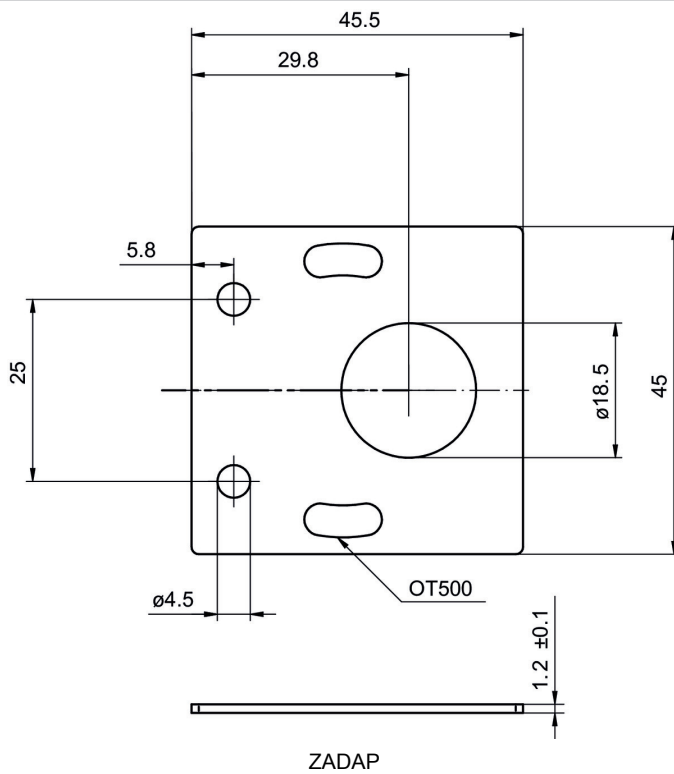
Article number: 11707699

## Overview

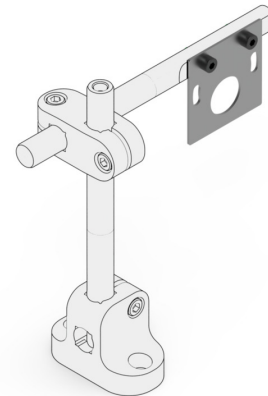
- Material: Steel
- Part of an assembly



## Dimension drawing



## Dimension drawing



Assembly drawing