

Mounting rod with mounting plate holder 200 mm

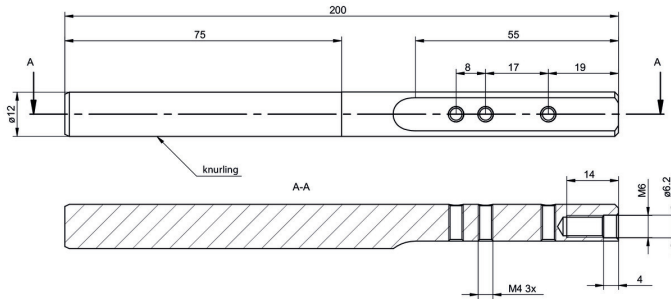
Article number: 11707685

Overview

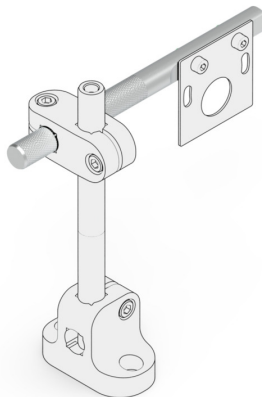
- Material: Aluminium
- Part of an assembly
- Different lengths available



Dimension drawing



ZADAP



Assembly drawing