

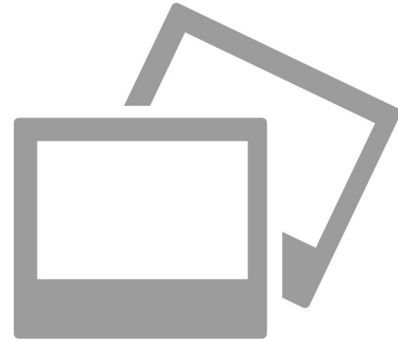
Multi headed cable Type E4

Split cable for illumination

Article number: 11701466

overview

- Split cable M12/12-pin female connector to 1x M8/3-pin male connector (to power the camera and I/Os, enable hardware trigger via input) and 4x M8/4-pin female connectors for four illuminations
- The I/O voltage is directly distributed to the illuminations.
- Protection class IP65/IP67
- Length 100 cm (M12/12-pin cable 20 cm, M8 cables 80 cm)



technical data

electrical data

number of poles	12
connectors	M12/12-pin female connector M8/3-pin male connector 4x M8/4-pin female connector

mechanical data

mounting	hole spacing 38 mm
dimensions	distribution part 55 mm x 50 mm x 18 mm
smallest bending radius static	42,5 mm (cable with M12/12-pin female connector) 22 mm (cable with M8/3-pin male connector) 22 mm (cable with M8/4-pin female connector)
smallest bending radius moved installation	85 mm (cable with M12/12-pin female connector) 44 mm (cable with M8/3-pin male connector) 44 mm (cable with M8/4-pin female connector)

mechanical data

bending cycles	M12: 2.000.000 M8: 10.000.000
use in cable carriers	yes
cable length [m]	1,0 m
conductor cross-section	12 × 0,14mm ² 3 × 0,25mm ² 4 × 0,25mm ²
material	TPU PUR, halogen-free

environmental conditions

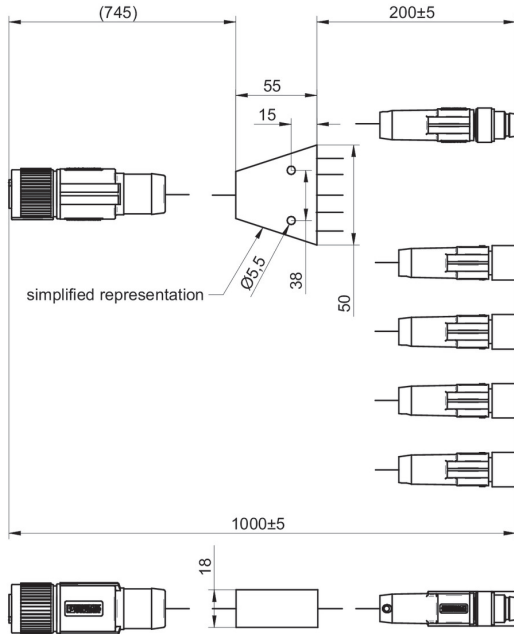
operation temperature (moved installation)	-5 ... +75 °C
operating temperature	-25 ... +75 °C
protection class	IP 65/67 (mounted)

Multi headed cable Type E4

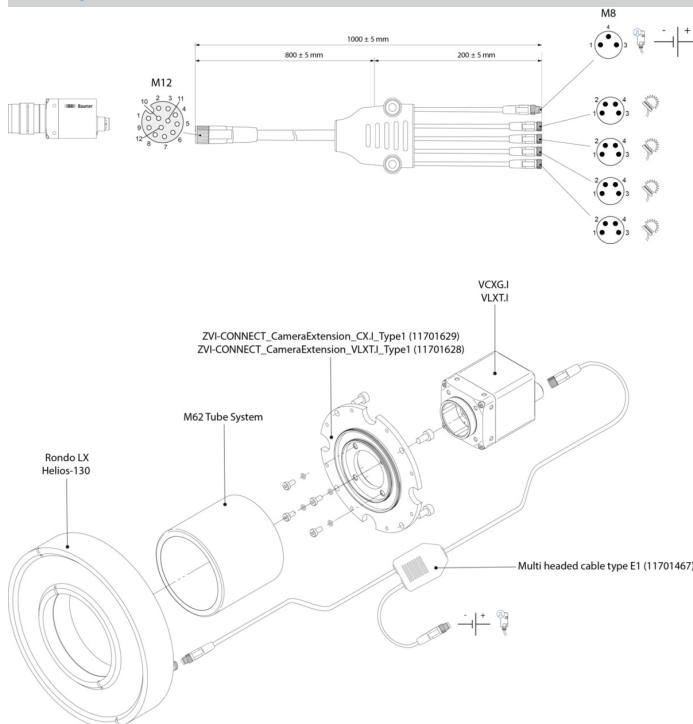
Split cable for illumination

Article number: 11701466

dimension drawing



Principle

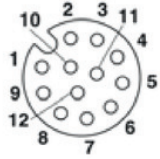


Multi headed cable Type E4

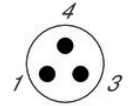
Split cable for illumination

Article number: 11701466

pin assignment



M12/12-pin female connector



M8/3-pin male connector

