

Overview

- Most secure object detection due to the barrier principle
- qTeach - tamper-proof, simple teach-in with ferromagnetic tool
- Quick mounting by means of M3 threaded bushes made of stainless steel



Picture similar



Technical data

General data

Type	Through beam sensor
Emitter / receiver	Receiver
Light source	Use with pulsed red laser diode
Actual range S_b	5 m
Nominal range S_n	6 m
Smallest object recognizable typ.	3 mm (0,5 mm with aperture)
Alignment / soiled lens indicator	Flashing output indicator
Output indicator	LED yellow
Power on indication	LED green
Sensitivity adjustment	qTeach
Suppression of reciprocal influence	Yes

Electrical data

Response time / release time	< 0.1 ms < 0.12 ms
Jitter	< 0.03 ms < 0.05 ms
Voltage supply range +Vs	10 ... 30 VDC
Current consumption max. (no load)	20 mA (@ 10 VDC)

Electrical data

Current consumption typ.	10 mA (@ 24 VDC)
Voltage drop V_d	<2 VDC
Output function	Light / dark operate
Output circuit	NPN complementary
Output current	50 mA
Short circuit protection	Yes
Reverse polarity protection	Yes

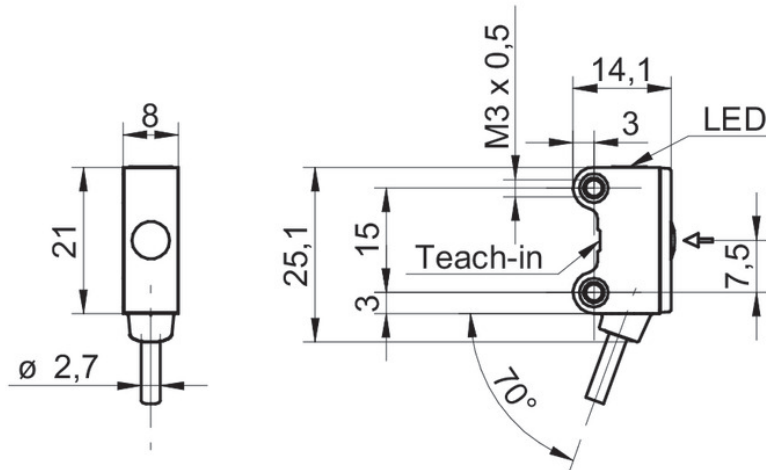
Mechanical data

Width / diameter	8 mm
Height / length	25.1 mm
Depth	14.1 mm
Design	Rectangular
Mechanical mounting	Threaded sleeves M3 (stainless steel)
Housing material	Plastic (ASA, PMMA)
Front (optics)	PMMA
Connection types	Cable 4 pin, 2 m
Cable characteristics	PVC / PVC 4 x 0.08 mm ²

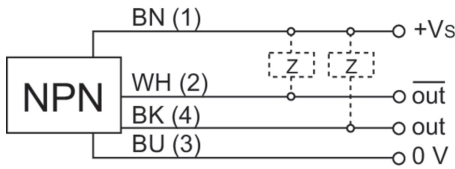
Ambient conditions

Operating temperature	-25 ... +50 °C
Protection class	IP 67

Technical drawings



Connection diagram



Excess gain curve

