

Overview

- Extended functional reserve capacities for maximum reliability
- Baumer PinPoint LED: Small, homogeneous light spot with sharp edges
- Long-term stable detection of transparent objects thanks to compensation of environmental influences
- qTeach - tamper-proof, simple teach-in with ferromagnetic tool
- Quick mounting by means of M3 threaded bushes made of stainless steel



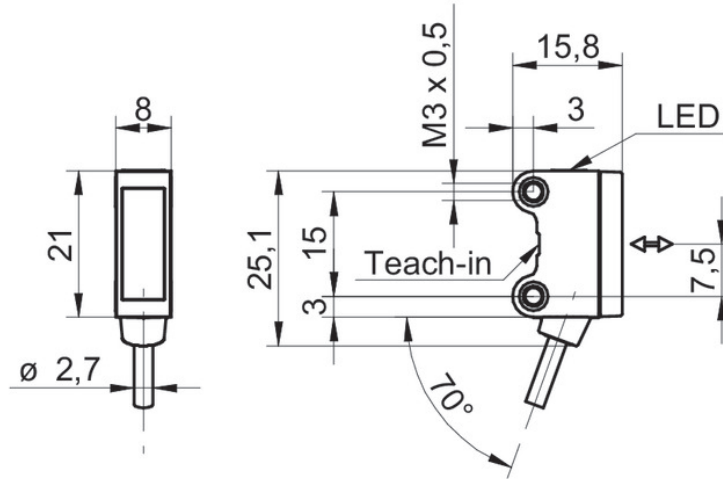
Picture similar



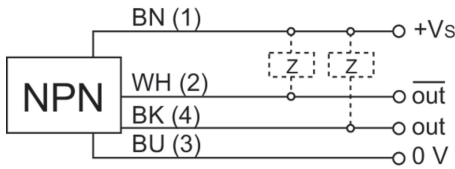
Technical data

General data		Electrical data	
Type	Retro-reflective sensor	Current consumption max. (no load)	40 mA (@ 10 VDC)
Version	Transparency object detection Single lens optics	Current consumption typ.	16 mA (@ 24 VDC)
Light source	Pulsed PinPoint LED	Voltage drop Vd	<2 VDC
Actual range Sb	0.7 m	Output function	Light / dark operate
Nominal range Sn	1 m	Output circuit	NPN complementary
Polarization filter	Yes	Output current	50 mA
Minimal signal attenuation	10 %	Short circuit protection	Yes
Alignment / soiled lens indicator	Flashing output indicator	Reverse polarity protection	Yes
Output indicator	LED yellow	Mechanical data	
Power on indication	LED green	Width / diameter	8 mm
Sensitivity adjustment	qTeach	Height / length	25.1 mm
Wave length	644 nm	Depth	15.8 mm
Suppression of reciprocal influence	Yes	Design	Rectangular
Alignment optical axis	< 1,5°	Mechanical mounting	Threaded sleeves M3 (stainless steel)
Electrical data		Housing material	Plastic (ASA, PMMA)
Response time / release time	< 0.25 ms	Front (optics)	PMMA
Jitter	< 0.06 ms	Connection types	Cable 4 pin, 2 m
Voltage supply range +Vs	10 ... 30 VDC	Cable characteristics	PVC / PVC 4 x 0.08 mm ²
		Ambient conditions	
		Operating temperature	-25 ... +50 °C
		Protection class	IP 67

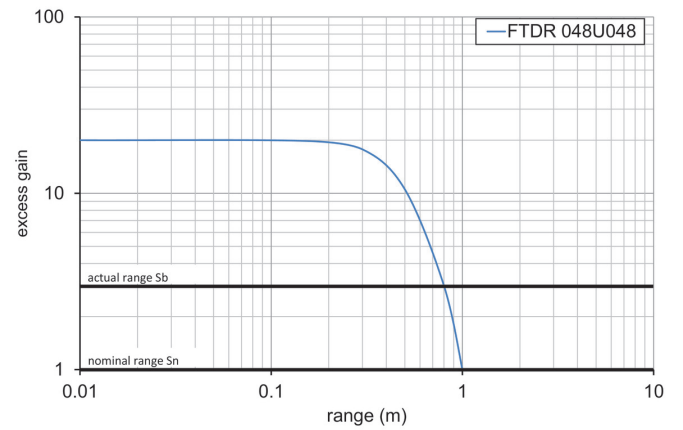
Technical drawings



Connection diagram



Excess gain curve



Beam characteristic (typically)

