

Overview

- receiver
- through beam sensor
- 10 m
- PNP complementary
- qTeach
- cable 4 pin, 2 m
- -25 ... 60 °C
- IP 67



Picture similar



Technical data

General data

Type	Through beam sensor
Emitter / receiver	Receiver
Actual range Sb	10 m
Nominal range Sn	15 m
Alignment / soiled lens indicator	Flashing light indicator
Light indicator	LED yellow
Power on indication	LED green
Sensitivity adjustment	qTeach
Alignment optical axis	< 2°

Electrical data

Response time / release time	< 0.49 ms
Voltage supply range +Vs	10 ... 30 VDC
Current consumption max. (no load)	40 mA
Current consumption typ.	30 mA

Electrical data

Voltage drop Vd	<3 VDC
Output function	Light / dark operate
Output circuit	PNP complementary
Output current	100 mA
Short circuit protection	Yes
Reverse polarity protection	Yes

Mechanical data

Width / diameter	12.9 mm
Height / length	32.3 mm
Depth	23 mm
Design	Rectangular
Housing material	Plastic (ASA, PMMA)
Front (optics)	PMMA
Connection types	Cable 4 pin, 2 m

Ambient conditions

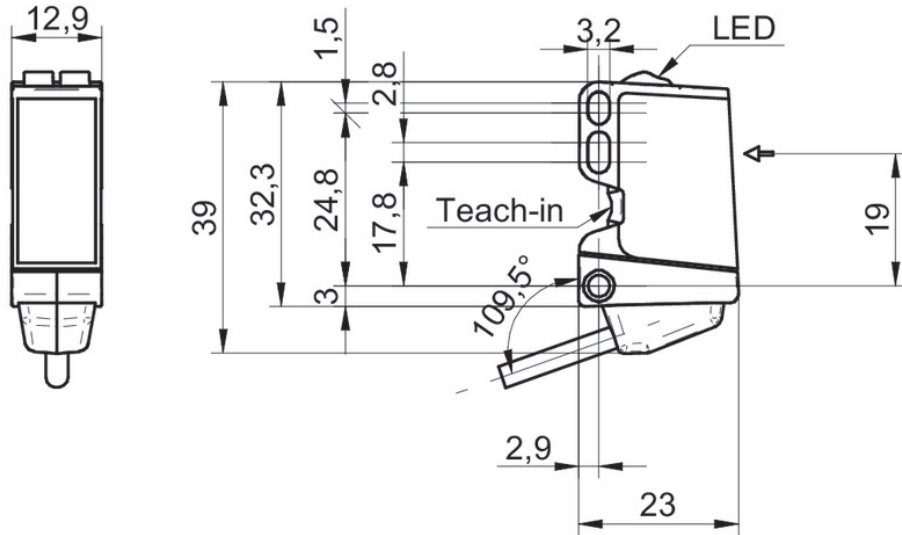
Operating temperature	-25 ... +60 °C
Protection class	IP 67

O300.EI-PV1T.72CU

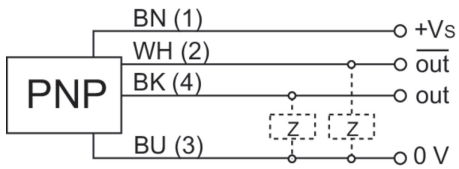
Through beam sensors - miniature

Article number: 11209576

Technical drawings



Connection diagram



Excess gain curve

