

Overview

- receiver
- through beam sensor
- 10 m
- NPN complementary
- qTeach
- connector M8 4 pin
- -25 ... 60 °C
- IP 67



Picture similar



Technical data

General data

| | |
|-----------------------------------|--------------------------|
| Type | Through beam sensor |
| Emitter / receiver | Receiver |
| Actual range Sb | 10 m |
| Nominal range Sn | 15 m |
| Alignment / soiled lens indicator | Flashing light indicator |
| Light indicator | LED yellow |
| Power on indication | LED green |
| Sensitivity adjustment | qTeach |
| Alignment optical axis | < 2° |

Electrical data

| | |
|------------------------------------|---------------|
| Response time / release time | < 0.49 ms |
| Voltage supply range +Vs | 10 ... 30 VDC |
| Current consumption max. (no load) | 40 mA |
| Current consumption typ. | 30 mA |

Electrical data

| | |
|-----------------------------|----------------------|
| Voltage drop Vd | < 3 VDC |
| Output function | Light / dark operate |
| Output circuit | NPN complementary |
| Output current | < 100 mA |
| Short circuit protection | Yes |
| Reverse polarity protection | Yes |

Mechanical data

| | |
|------------------|---------------------|
| Width / diameter | 12.9 mm |
| Height / length | 32.3 mm |
| Depth | 23 mm |
| Type | Rectangular |
| Housing material | Plastic (ASA, PMMA) |
| Front (optics) | PMMA |
| Connection types | Connector M8 4 pin |

Ambient conditions

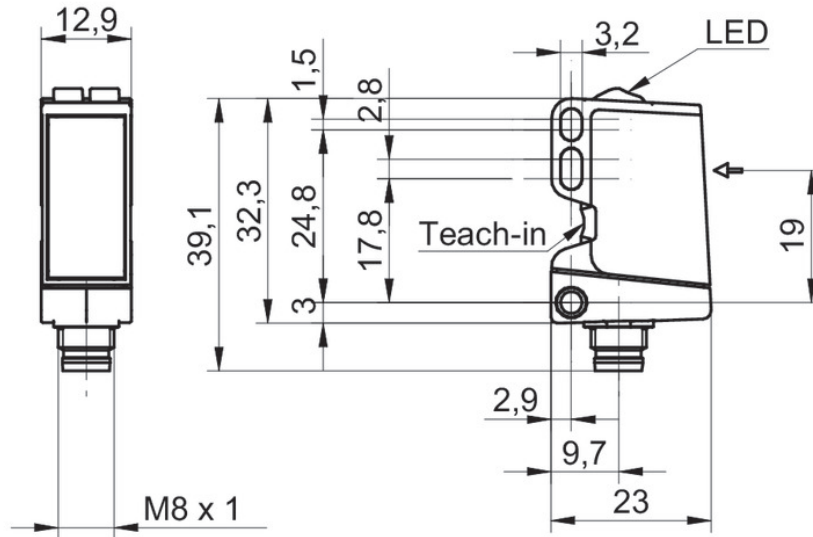
| | |
|-----------------------|----------------|
| Operating temperature | -25 ... +60 °C |
| Protection class | IP 67 |

O300.ER-NV1T.72N

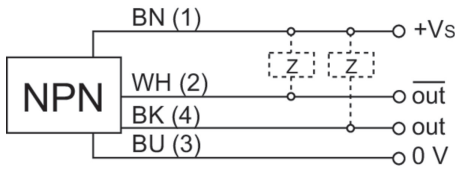
Through beam sensors - miniature

Article number: 11128055

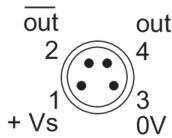
Technical drawings



Connection diagram



Pin assignment



Excess gain curve

