

Overview

- emitter
- through beam sensor
- 40 m
- pulsed red laser diode
- cable 4 pin, 2 m
- -10 ... 60 °C
- IP 67



Picture similar



Technical data

General data

Type	Through beam sensor
Emitter / receiver	Emitter
Light source	Pulsed red laser diode
Actual range Sb	40 m
Nominal range Sn	75 m
Power on indication	LED green
Laser class	1
Distance to focus	Parallel beam
Wave length	656 nm
Alignment optical axis	< 2°

Electrical data

Voltage supply range +Vs	11 ... 30 VDC
Current consumption max. (no load)	30 mA

Electrical data

Current consumption typ.	25 mA
Reverse polarity protection	Yes

Mechanical data

Width / diameter	12.9 mm
Height / length	32.3 mm
Depth	23 mm
Type	Rectangular
Housing material	Plastic (ASA, PMMA)
Front (optics)	PMMA
Connection types	Cable 4 pin, 2 m

Ambient conditions

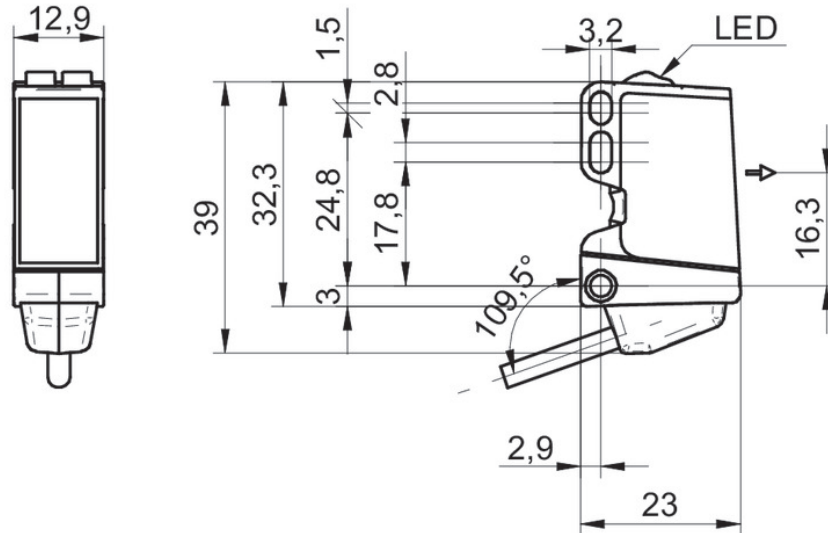
Operating temperature	-10 ... +60 °C
Protection class	IP 67

O300.TL-ZZZZ.72CU

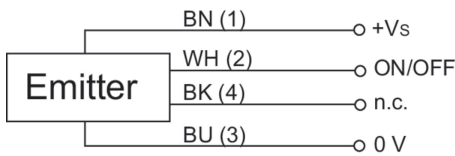
Through beam sensors - miniature

Article number: 11176844

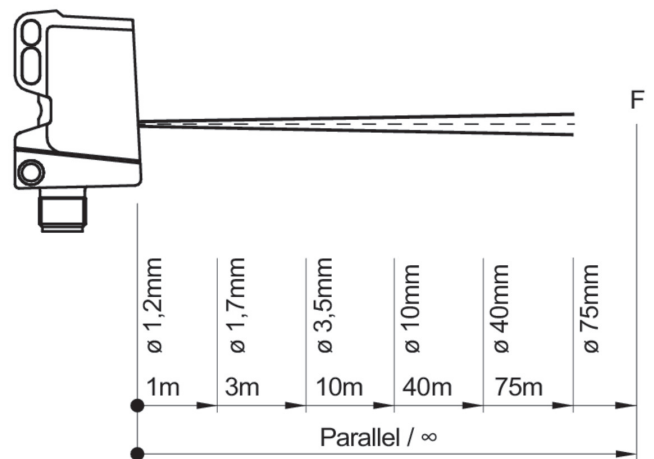
Technical drawings



Connection diagram



Beam characteristic (typically)



Laser warning

**CLASS 1 LASER
PRODUCT**

IEC 60825-1/2014
Complies with 21 CFR 1040.10 and
1040.11 except for conformance with
IEC 60825-1 Ed. 3., as described in
Laser Notice No. 56, dated May 8, 2019

Excess gain curve

