

Overview

- light barrier
- 30 ... 300 mm
- pulsed PinPoint LED
- push-pull
- Teach-in and IO-Link
- cable 4 pin, 2 m
- -25 ... 60 °C
- IP 68/69K & proTect+



Picture similar



Technical data

General data

Type	Light barrier
Special type	Hygienic design
Version	Transparency object detection
Light source	Pulsed PinPoint LED
Background position Sde	30 ... 300 mm
Scanning range Sa	100% ... 85% Sde
Minimal signal attenuation	10 % / 20 % / 30 %
Power on indication	LED green
Light indicator	LED yellow
Sensing distance adjustment	Teach-in and IO-Link
Wave length	630 nm
Suppression of reciprocal influence	Yes
Alignment optical axis	< 2°
Approvals/certificates	Ecolab

Electrical data

Response time / release time	0,25 ... 0,6 ms
Voltage supply range +Vs	10 ... 30 VDC

Electrical data

Current consumption max. (no load)	45 mA
Current consumption typ.	30 mA
Voltage drop Vd	< 3 VDC
Output function	Light / dark operate
Output circuit	Push-pull
Output current	< 100 mA
Short circuit protection	Yes
Reverse polarity protection	Yes

Mechanical data

Width / diameter	16,5 mm
Height / length	34,6 mm
Depth	28,7 mm
Type	Rectangular
Housing material	Stainless steel 1.4404 (V4A)
Front (optics)	PMMA
Connection types	Cable 4 pin, 2 m

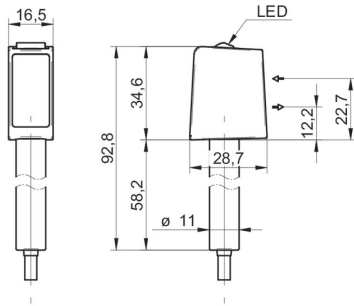
Ambient conditions

Protection class	IP 68/69K & proTect+
Operating temperature	-25 ... +60 °C

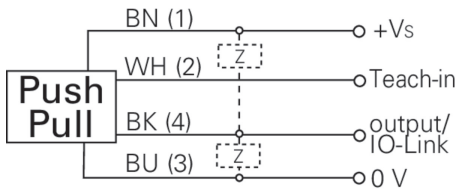
Remarks

- Magnetic Teach
- IO-Link: V1.1, filter functions, qTeach lock adjustable
- Signal attenuation adjustable
- Response time / release time: depending on the signal strength

Dimension drawing



Connection diagram



Beam characteristic (typically)

