

**Overview**

- Outstanding reliability and unrivalled immunity against ambient light
- Baumer PinPoint LED: Small, homogeneous light spot with sharp edges
- Line beam for complete detection of irregular, perforated objects
- qTeach - tamper-proof, simple teach-in with ferromagnetic tool
- Robust housing with brass spacer sleeves



Picture similar



**Technical data**

**General data**

Type	Background suppression
Version	Line beam
Light source	Pulsed PinPoint LED
Sensing distance Tw	20 ... 250 mm
Sensing range Tb	8 ... 275 mm
Power on indication	LED green
Output indicator	LED yellow
Sensing distance adjustment	qTeach / external
Wave length	634 nm
Suppression of reciprocal influence	Yes
Beam type	Line
Alignment optical axis	< 1,5°

**Electrical data**

Response time / release time	< 2.5 ms
Voltage supply range +Vs	10 ... 30 VDC
Current consumption max. (no load)	50 mA
Current consumption typ.	25 mA
Voltage drop Vd	< 2 VDC
Output function	Light / dark operate

**Electrical data**

Output circuit	Push-pull
Output current	< 100 mA
Short circuit protection	Yes
Reverse polarity protection	Yes

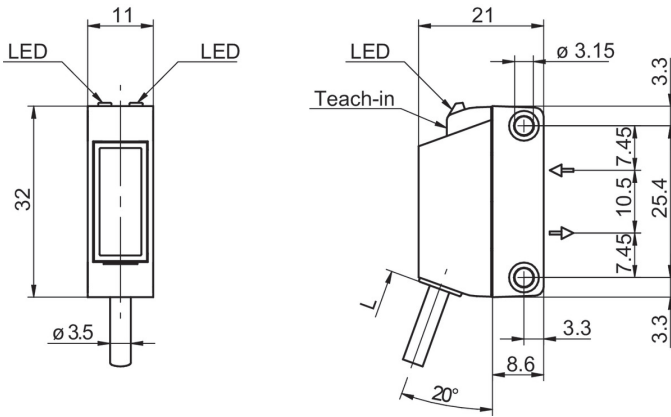
**Mechanical data**

Width / diameter	11 mm
Height / length	32 mm
Depth	21 mm
Type	Rectangular
Mechanical mounting	Sleeve smooth (brass)
Housing material	Plastic (ABS, ASA, PMMA)
Front (optics)	PMMA
Connection types	Cable 4 pin, 2 m
Cable characteristics	PVC / PVC 4 x 0.14 mm <sup>2</sup>

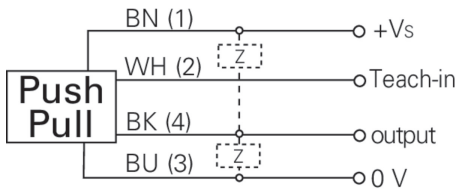
**Ambient conditions**

Protection class	IP 67
Operating temperature	-25 ... +55 °C
Storage temperature	-40 ... +70 °C
Vibration (sinusoidal)	IEC 60068-2-6:2008 10 g at f = 10 - 2000 Hz, duration 150 min per axis
Shock (semi-sinusoidal)	IEC 60068-2-27:2009 50 g / 11 ms, 10 impulses per axis and direction

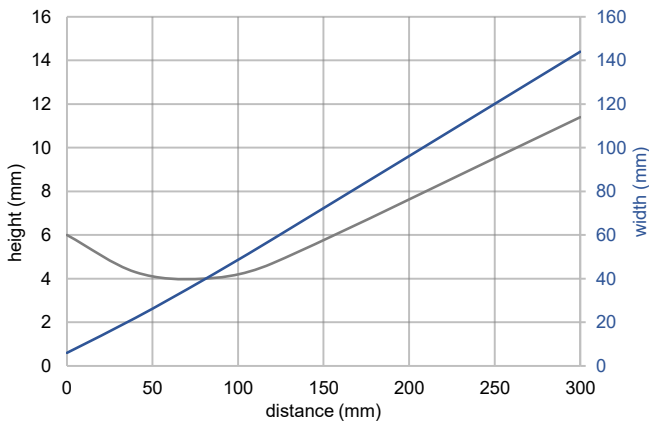
**Dimension drawing**



**Connection diagram**



**Beam characteristic (typically)**



**Sensing distance diagram**

