

## Overview

- Outstanding reliability and unrivalled immunity against ambient light
- Baumer PinPoint LED: Small, homogeneous light spot with sharp edges
- qTeach - tamper-proof, simple teach-in with ferromagnetic tool
- Intuitive Xpress Teach / 1-Step Teach method
- Quick mounting by means of M3 threaded bushes made of brass



Picture similar



## Technical data

### General data

|                                     |                          |
|-------------------------------------|--------------------------|
| Type                                | Background suppression   |
| Light source                        | Pulsed PinPoint LED      |
| Sensing distance Tw                 | 20 ... 350 mm            |
| Sensing range Tb                    | 8 ... 385 mm             |
| Power on indication                 | LED green                |
| Output indicator                    | LED yellow               |
| Sensing distance adjustment         | qTeach / 1-Step Teach-in |
| Wave length                         | 634 nm                   |
| Suppression of reciprocal influence | Yes                      |
| Alignment optical axis              | < 1,5°                   |

### Electrical data

|                                    |                      |
|------------------------------------|----------------------|
| Response time / release time       | < 1 ms               |
| Voltage supply range +Vs           | 10 ... 30 VDC        |
| Current consumption max. (no load) | 50 mA                |
| Current consumption typ.           | 25 mA                |
| Voltage drop Vd                    | < 2 VDC              |
| Output function                    | Light / dark operate |
| Output circuit                     | NPN complementary    |

### Electrical data

|                             |          |
|-----------------------------|----------|
| Output current              | < 100 mA |
| Short circuit protection    | Yes      |
| Reverse polarity protection | Yes      |

### Mechanical data

|                     |                             |
|---------------------|-----------------------------|
| Width / diameter    | 11 mm                       |
| Height / length     | 32 mm                       |
| Depth               | 21 mm                       |
| Type                | Rectangular                 |
| Mechanical mounting | Threaded sleeves M3 (brass) |
| Housing material    | Plastic (ABS, ASA, PMMA)    |
| Front (optics)      | PMMA                        |
| Connection types    | Connector M8 4 pin          |

### Ambient conditions

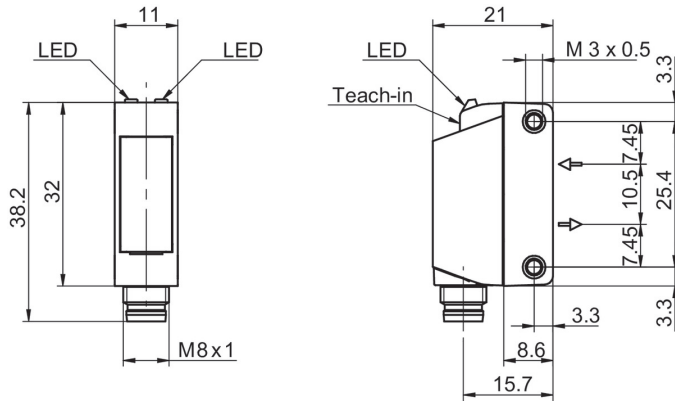
|                         |   |
|-------------------------|---|
| Protection class        | IP 67   |
| Operating temperature   | -25 ... +55 °C  |
| Storage temperature     | -40 ... +70 °C  |
| Vibration (sinusoidal)  | IEC 60068-2-6:2008<br>10 g at f = 10 - 2000 Hz, duration 150 min per axis |
| Shock (semi-sinusoidal) | IEC 60068-2-27:2009<br>50 g / 11 ms, 10 impulses per axis and direction   |

# O330.GP-NLNVT.72N/H006\_T003

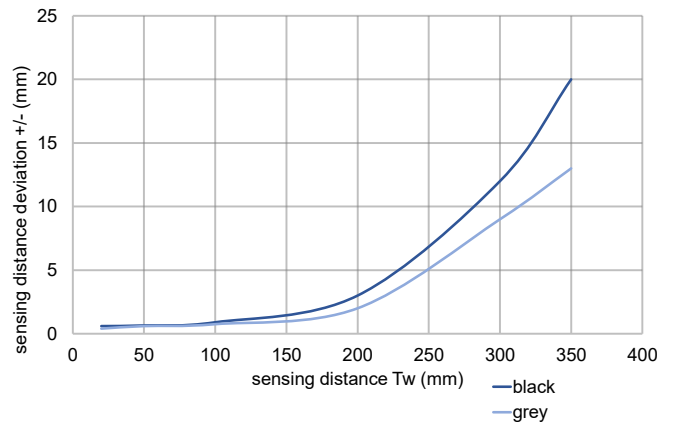
Diffuse sensors with background suppression - miniature

Article number: 11261215

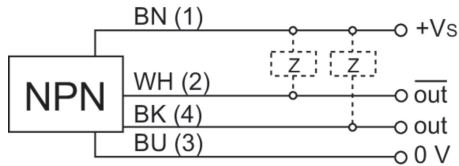
### Dimension drawing



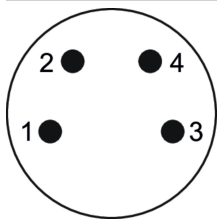
### Sensing distance diagram



### Connection diagram



### Pin assignment



### Beam characteristic (typically)

