

## O500.GR-NV1T.72CU/T003

Diffuse sensors with background suppression - for longer ranges

Article number: 11135889

### Overview

- background suppression
- 60 ... 550 mm
- pulsed red LED
- NPN complementary
- qTeach / 1-Step Teach-in
- cable 4 pin, 2 m
- -25 ... 60 °C
- IP 67



Picture similar



### Technical data

#### General data

Type	Background suppression
Light source	Pulsed red LED
Sensing distance $T_w$	60 ... 550 mm
Sensing range $T_b$	30 ... 600 mm
Power on indication	LED green
Light indicator	LED yellow
Sensing distance adjustment	qTeach / 1-Step Teach-in
Wave length	630 nm
Suppression of reciprocal influence	Yes
Alignment optical axis	< 1°

#### Electrical data

Response time / release time	< 1 ms
Voltage supply range +Vs	10 ... 30 VDC
Current consumption max. (no load)	40 mA

#### Electrical data

Current consumption typ.	30 mA
Voltage drop $V_d$	< 3 VDC
Output function	Light / dark operate
Output circuit	NPN complementary
Output current	< 100 mA
Short circuit protection	Yes
Reverse polarity protection	Yes

#### Mechanical data

Width / diameter	18 mm
Height / length	45 mm
Depth	32 mm
Type	Rectangular
Housing material	Plastic (ASA, PMMA)
Front (optics)	PMMA
Connection types	Cable 4 pin, 2 m

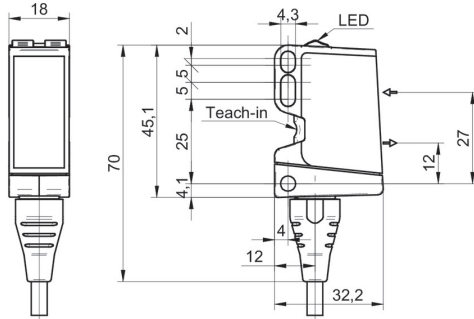
#### Ambient conditions

Protection class	IP 67
Operating temperature	-25 ... +60 °C

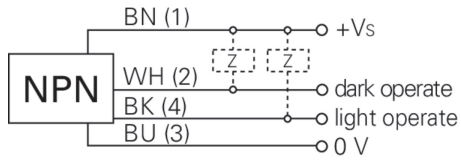
### Remarks

- qTeach

**Dimension drawing**



**Connection diagram**



**Beam characteristic (typically)**

