

Overview

- emitter
- through beam sensor
- 25 m
- pulsed red LED
- connector M12 4 pin
- -25 ... 60 °C
- IP 67



Picture similar



Technical data

General data

| | |
|------------------------|---------------------|
| Type | Through beam sensor |
| Emitter / receiver | Emitter |
| Light source | Pulsed red LED |
| Actual range Sb | 25 m |
| Nominal range Sn | 40 m |
| Power on indication | LED green |
| Wave length | 645 nm |
| Alignment optical axis | < 1° |

Electrical data

| | |
|------------------------------------|---------------|
| Response time / release time | < 0.49 ms |
| Voltage supply range +Vs | 10 ... 30 VDC |
| Current consumption max. (no load) | 40 mA |

Electrical data

| | |
|-----------------------------|-------|
| Current consumption typ. | 30 mA |
| Reverse polarity protection | Yes |

Mechanical data

| | |
|------------------|---------------------|
| Width / diameter | 18 mm |
| Height / length | 45 mm |
| Depth | 32 mm |
| Type | Rectangular |
| Housing material | Plastic (ASA, PMMA) |
| Front (optics) | PMMA |
| Connection types | Connector M12 4 pin |

Ambient conditions

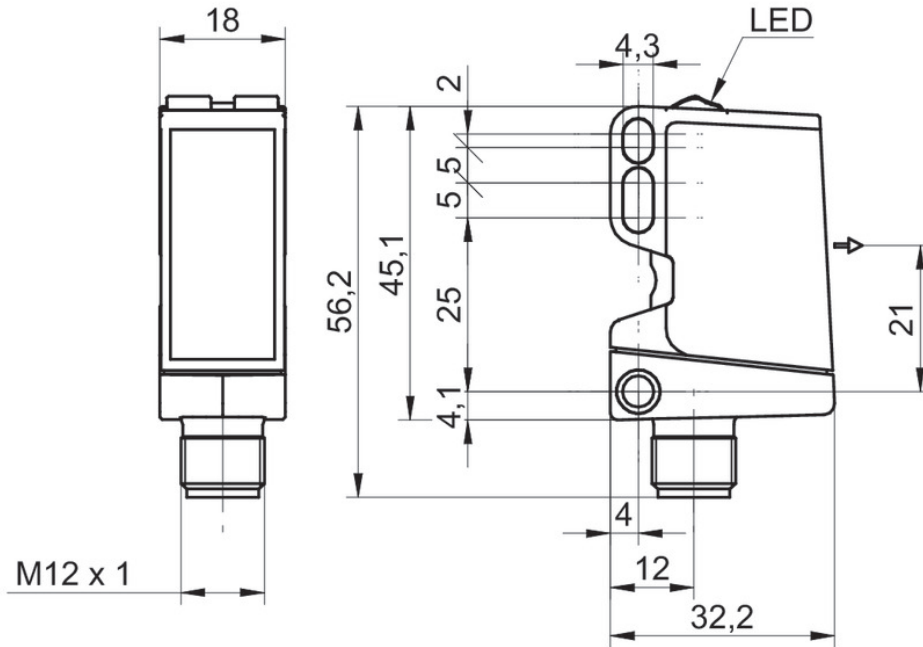
| | |
|-----------------------|----------------|
| Operating temperature | -25 ... +60 °C |
| Protection class | IP 67 |

O500.TR-ZZZZ.720

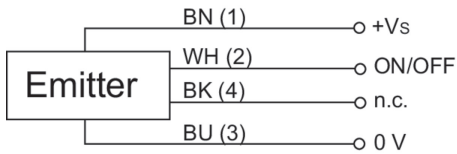
Through beam sensors - for longer ranges

Article number: 11128041

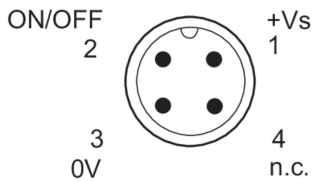
Technical drawings



Connection diagram



Pin assignment



Beam characteristic (typically)

