

Overview

- emitter
- through beam sensor
- 25 m
- pulsed red LED
- cable 4 pin, 2 m
- -25 ... 60 °C
- IP 68/69K & proTect+



Picture similar



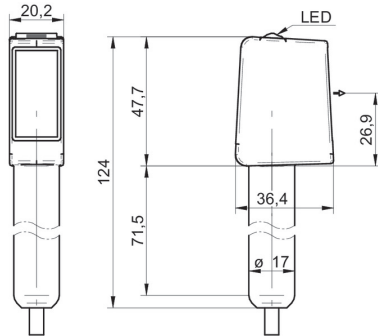
Technical data

General data		Electrical data	
Type	Through beam sensor	Current consumption max. (no load)	40 mA
Special type	Hygienic design	Current consumption typ.	30 mA
Emitter / receiver	Emitter	Reverse polarity protection	Yes
Light source	Pulsed red LED	Mechanical data	
Actual range Sb	25 m	Width / diameter	20,2 mm
Nominal range Sn	40 m	Height / length	47,7 mm
Power on indication	LED green	Depth	36,4 mm
Wave length	645 nm	Type	Rectangular
Alignment optical axis	< 1°	Housing material	Stainless steel 1.4404 (V4A)
Approvals/certificates	Ecolab Adapted from EHEDG	Front (optics)	PMMA
Electrical data		Connection types	Cable 4 pin, 2 m
Response time / release time	< 0,49 ms	Ambient conditions	
Voltage supply range +Vs	10 ... 30 VDC	Operating temperature	-25 ... +60 °C
		Protection class	IP 68/69K & proTect+

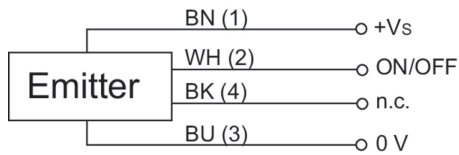
Remarks

- Magnetic Teach

Dimension drawing



Connection diagram



Beam characteristic (typically)

