

Overview

- 50 ... 350 mm
- pulsed red laser diode
- RS 485
- RS 485
- connector M8 4 pin
- 50 °C
- IP 67



Picture similar



Technical data

General data

Measuring distance Sd	50 ... 350 mm
Adjustment	RS485
Power on indication	LED green
Resolution	50 ... 400 μm
Linearity error	$\pm 0.18 \dots 1.2 \text{ mm}$
Beam type	Line
Beam width	2 mm
Beam height	4 ... 9 mm
Alarm indicator	LED red
Temperature drift	$< 0,04 \% \text{ Sde/K}$

Light Source

Light source	Pulsed red laser diode
Wave length	650 nm
Laser class	2

Electrical data

Response time / release time	$< 0.9 \text{ ms}$
Voltage supply range +Vs	12 ... 28 VDC

Electrical data

Current consumption max. (no load)	80 mA
Output circuit	RS485
Short circuit protection	Yes
Reverse polarity protection	Yes, Vs to GND

Communication interface

Baud rate	38400, adjustable
-----------	-------------------

Mechanical data

Width / diameter	13.4 mm
Height / length	48.2 mm
Depth	40 mm
Type	Rectangular
Housing material	Aluminum
Front (optics)	Glass
Connection types	Connector M8 4 pin
Ambient conditions	
Ambient light immunity	$< 30 \text{ kLux}$
Protection class	IP 67
Operating temperature	0 ... +50 °C

Remarks

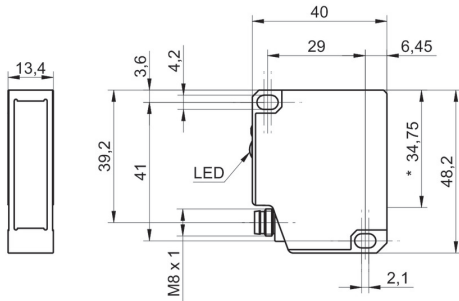
- For objects with a reflectivity $< 10 \%$ the response time/release time is increased automatically up to max. 3 ms.

OADM 13S6575/S35A

Distance sensors - miniature

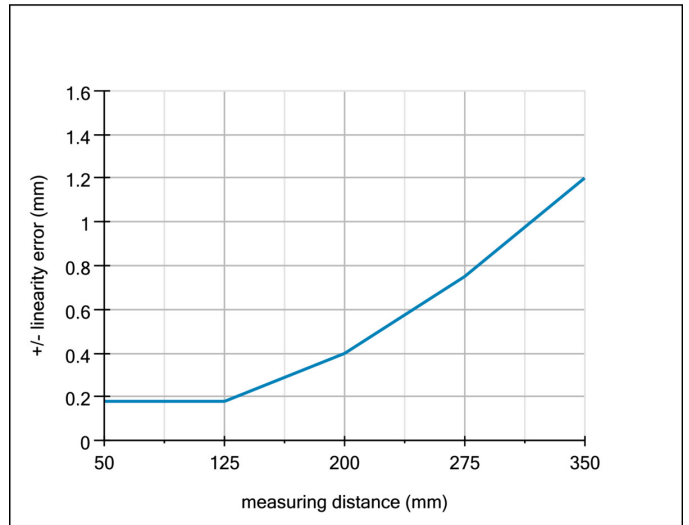
Article number: 11003203

Dimension drawing



* emitter axis

Linearity error



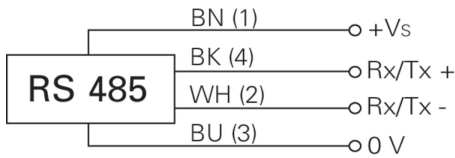
Laser warning



LASER RADIATION
DO NOT STARE INTO BEAM
Wavelength: 640...670nm
IEC 60825-1, Ed. 3, 2014
CLASS 2 LASER PRODUCT

IEC 60825-1/2014 Complies with 21 CFR 1040.10 and 1040.11 except for conformance with IEC 60825-1 Ed. 3., as described in Laser Notice No. 56, dated May 8, 2019

Connection diagram



Resolution

