

OADM 13T7480/S35A

Distance sensors - miniature

Article number: 11043072

Overview

- 50 ... 550 mm
- pulsed red laser diode
- RS 232
- RS 232
- connector M8 4 pin
- 50 °C
- IP 67



Picture similar



Technical data

General data

Measuring distance Sd	50 ... 550 mm
Beam diameter	1 mm
Adjustment	RS232
Power on indication	LED green
Resolution	90 ... 1150 µm
Linearity error	± 0.3 ... 3.5 mm
Beam type	Point
Alarm indicator	LED red
Temperature drift	< 0,07 % Sde/K

Light Source

Light source	Pulsed red laser diode
Wave length	650 nm
Laser class	2

Electrical data

Response time / release time	< 2 ms
Voltage supply range +Vs	12 ... 28 VDC
Current consumption max. (no load)	80 mA

Electrical data

Output circuit	RS232
Short circuit protection	Yes
Reverse polarity protection	Yes, Vs to GND

Communication interface

Baud rate	38400, adjustable
-----------	-------------------

Mechanical data

Width / diameter	13.4 mm
Height / length	48.2 mm
Depth	40 mm
Type	Rectangular
Housing material	Aluminum
Front (optics)	Glass
Connection types	Connector M8 4 pin

Ambient conditions

Ambient light immunity	< 100 kLux
Protection class	IP 67
Operating temperature	0 ... +50 °C

Remarks

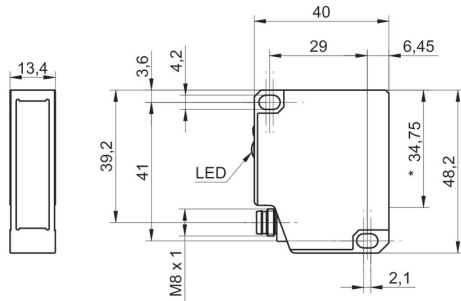
- For objects with a reflectivity < 10 % the response time/release time is increased automatically up to max. 5 ms.

OADM 13T7480/S35A

Distance sensors - miniature

Article number: 11043072

Dimension drawing



* emitter axis

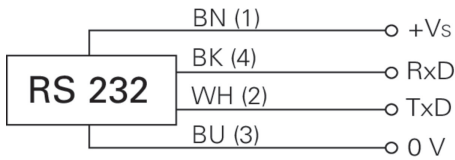
Laser warning



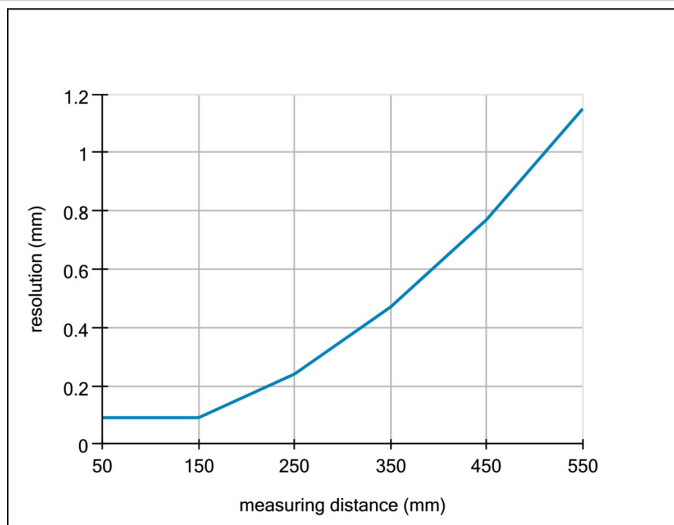
LASER RADIATION
DO NOT STARE INTO BEAM
Wavelength: 640...670nm
IEC 60825-1, Ed. 3, 2014
CLASS 2 LASER PRODUCT

IEC 60825-1/2014 Complies with 21 CFR 1040.10 and 1040.11 except for conformance with IEC 60825-1 Ed. 3., as described in Laser Notice No. 56, dated May 8, 2019

Connection diagram



Resolution



Linearity error

