

## OADM 20I5470/S14C

Distance sensors

Article number: 11164052

### Overview

- 50 ... 250 mm
- pulsed red laser diode
- analog
- no
- connector M12 5 pin, rotatable
- 50 °C
- IP 67



Picture similar

### Technical data

#### General data

|                       |                  |
|-----------------------|------------------|
| Measuring distance Sd | 50 ... 250 mm    |
| Beam diameter         | 2 mm             |
| Adjustment            | No               |
| Power on indication   | LED green        |
| Soiled lens indicator | LED red          |
| Resolution            | 100 ... 300 µm   |
| Linearity error       | ± 0,3 ... 0,8 mm |
| Beam type             | Point            |
| Temperature drift     | < 0,03 % Sde/K   |

#### Light Source

|              |                        |
|--------------|------------------------|
| Light source | Pulsed red laser diode |
| Wave length  | 650 nm                 |

#### Electrical data

|                                    |               |
|------------------------------------|---------------|
| Response time / release time       | < 10 ms       |
| Voltage supply range +Vs           | 12 ... 28 VDC |
| Current consumption max. (no load) | 100 mA        |

#### Electrical data

|                             |                        |
|-----------------------------|------------------------|
| Output circuit              | Analog                 |
| Output signal               | 4 ... 20 mA            |
| Load resistance (analog I)  | < (+Vs - 6 V) / 0,02 A |
| Alarm output                | PNP                    |
| Short circuit protection    | Yes                    |
| Reverse polarity protection | Yes, Vs to GND         |

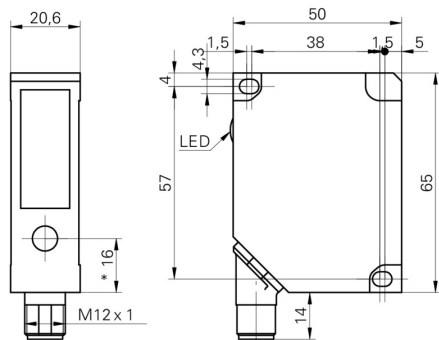
#### Mechanical data

|                  |                                |
|------------------|--------------------------------|
| Width / diameter | 20,6 mm                        |
| Height / length  | 65 mm                          |
| Depth            | 50 mm                          |
| Type             | Rectangular                    |
| Housing material | Die-cast zinc                  |
| Front (optics)   | Glass                          |
| Connection types | Connector M12 5 pin, rotatable |

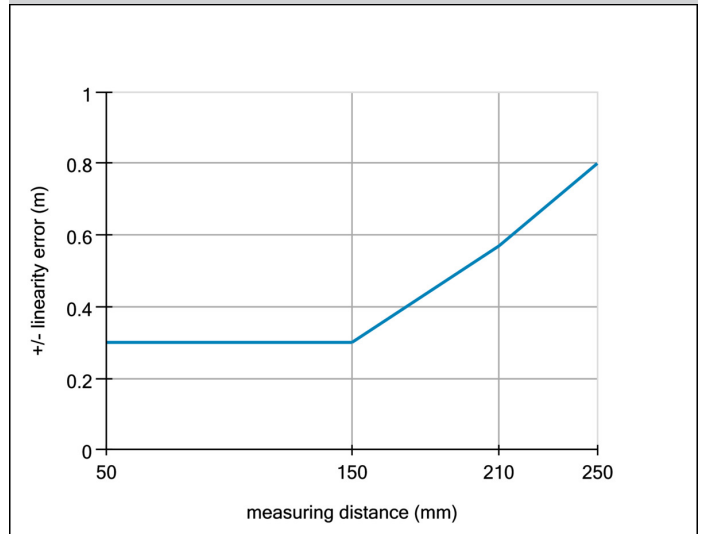
#### Ambient conditions

|                       |              |
|-----------------------|--------------|
| Operating temperature | 0 ... +50 °C |
| Protection class      | IP 67        |

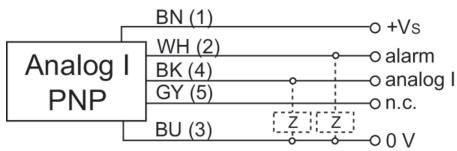
**Dimension drawing**



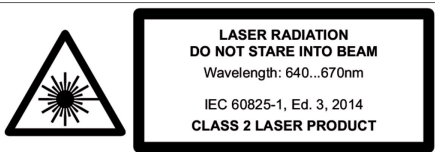
**Linearity error**



**Connection diagram**



**Laser warning**



IEC 60825-1/2014 Complies with 21 CFR 1040.10 and 1040.11 except for conformance with IEC 60825-1 Ed. 3., as described in Laser Notice No. 56, dated May 8, 2019

**Resolution**

