

OADM 20I5570/S14C

Distance sensors

Article number: 11164060

Overview

- 50 ... 250 mm
- pulsed red laser diode
- analog
- no
- connector M12 5 pin, rotatable
- 50 °C
- IP 67



Picture similar

Technical data

General data

Measuring distance Sd	50 ... 250 mm
Adjustment	No
Power on indication	LED green
Soiled lens indicator	LED red
Resolution	100 ... 300 μm
Linearity error	$\pm 0,3 \dots 0,8 \text{ mm}$
Beam type	Line
Beam width	2,5 mm
Beam height	4 ... 10 mm
Temperature drift	$< 0,03 \% \text{ Sde/K}$

Light Source

Light source	Pulsed red laser diode
Wave length	650 nm

Electrical data

Response time / release time	$< 10 \text{ ms}$
Voltage supply range +Vs	12 ... 28 VDC
Current consumption max. (no load)	100 mA

Electrical data

Output circuit	Analog
Output signal	4 ... 20 mA
Load resistance (analog I)	$< (+Vs - 6 \text{ V}) / 0,02 \text{ A}$
Alarm output	PNP
Short circuit protection	Yes
Reverse polarity protection	Yes, Vs to GND

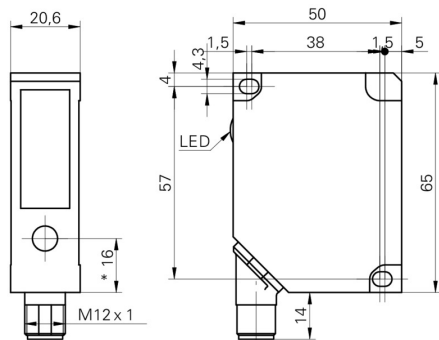
Mechanical data

Width / diameter	20,6 mm
Height / length	65 mm
Depth	50 mm
Type	Rectangular
Housing material	Die-cast zinc
Front (optics)	Glass
Connection types	Connector M12 5 pin, rotatable

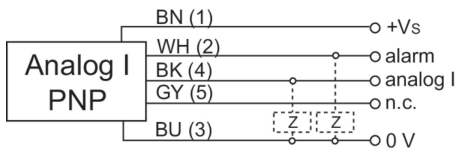
Ambient conditions

Operating temperature	0 ... +50 °C
Protection class	IP 67

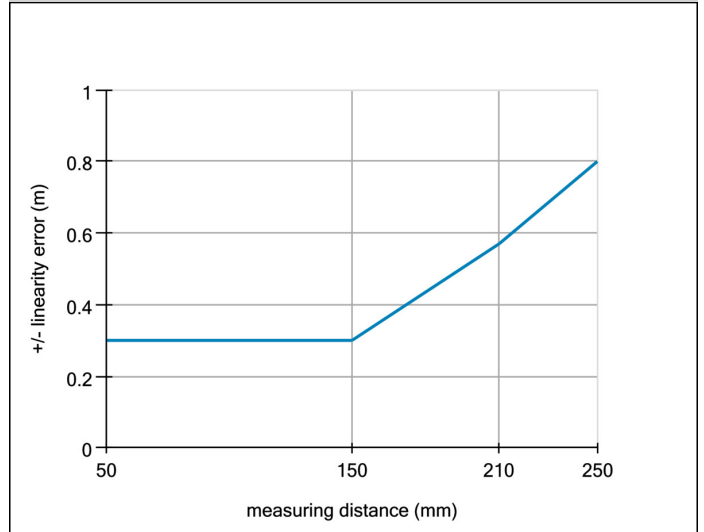
Dimension drawing



Connection diagram



Linearity error



Laser warning

Alignment of the laserline



Resolution

