

Overview

- 30 ... 50 mm
- pulsed red laser diode
- analog
- no
- connector M12 5 pin, rotatable
- 50 °C
- IP 67



Picture similar

Technical data

General data

Measuring distance Sd	30 ... 50 mm
Beam diameter	1 ... 0,4 mm
Adjustment	No
Power on indication	LED green
Soiled lens indicator	LED red
Resolution	< 10 µm
Linearity error	± 0,03 mm
Beam type	Point
Temperature drift	< 0,015 % Sde/K

Light Source

Light source	Pulsed red laser diode
Wave length	650 nm

Electrical data

Response time / release time	< 10 ms
Voltage supply range +Vs	12 ... 28 VDC
Current consumption max. (no load)	100 mA

Electrical data

Output circuit	Analog
Output signal	0 ... 10 VDC
Load resistance (analog U)	> 100 kOhm
Output current	< 100 mA
Alarm output	PNP
Short circuit protection	Yes
Reverse polarity protection	Yes, Vs to GND

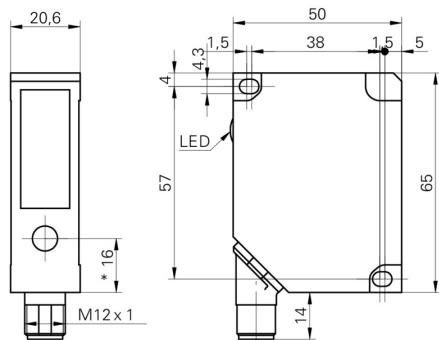
Mechanical data

Width / diameter	20,6 mm
Height / length	65 mm
Depth	50 mm
Type	Rectangular
Housing material	Die-cast zinc
Front (optics)	Glass
Connection types	Connector M12 5 pin, rotatable

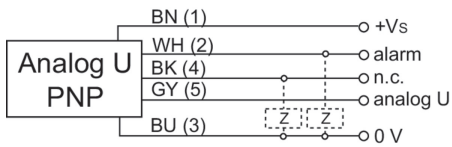
Ambient conditions

Operating temperature	0 ... +50 °C
Protection class	IP 67

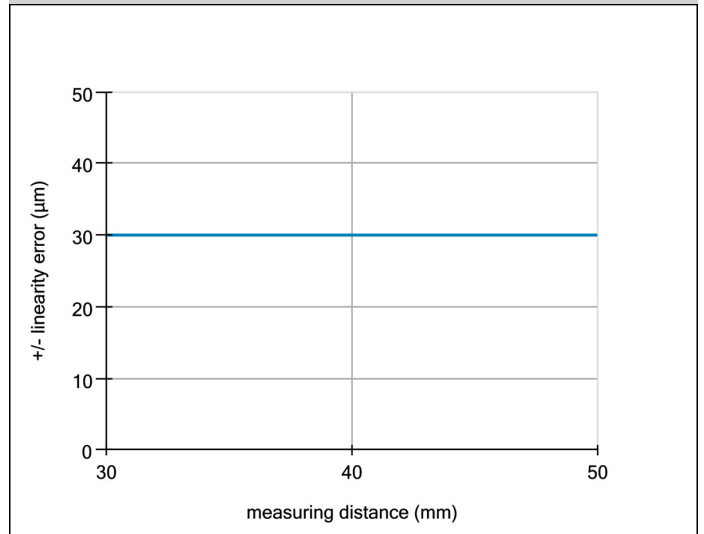
Dimension drawing



Connection diagram



Linearity error



Laser warning



LASER RADIATION
DO NOT STARE INTO BEAM
Wavelength: 640...670nm
IEC 60825-1, Ed. 3, 2014
CLASS 2 LASER PRODUCT

IEC 60825-1/2014 Complies with 21 CFR 1040.10 and 1040.11 except for conformance with IEC 60825-1 Ed. 3., as described in Laser Notice No. 56, dated May 8, 2019

Resolution

