

Overview

- Reliable detection of fluorescent substances
- Adjustable sensitivity
- Analog output
- 20 ms delay activatable
- Connector rotatable to 5 positions
- Pre-mounted 9 mm lens
- Optional lenses for longer distances



Picture similar



Technical data

General data

Type	Luminescence sensor
Light source	UV LED
Sensing distance Tw	10 mm ... 20 mm
Power on indication	LED green
Output indicator	LED yellow
Sensitivity adjustment	Teach-in
Distance to focus	10 mm
Wave length	375 nm
Beam type	Line, vertical
Beam height	8 mm
Beam width	2 mm

Electrical data

Response time / release time	< 0.25 ms
Voltage supply range +Vs	15 VDC ... 30 VDC
Current consumption typ.	50 mA (@ 24 VDC)
Voltage drop Vd	< 2 VDC
Output function	Light operate

Electrical data

Output circuit	PNP NPN Analog 0,75 ... 5,5 VDC
Output current	< 100 mA
Short circuit protection	Yes
Reverse polarity protection	Yes

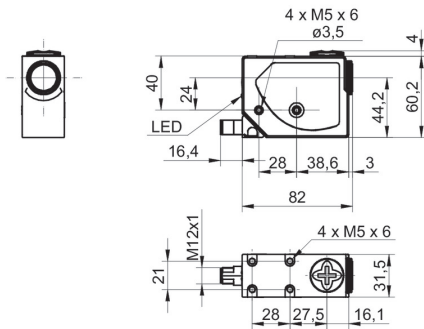
Mechanical data

Width / diameter	31.9 mm
Height / length	60.2 mm
Depth	79 mm
Type	Rectangular
Housing material	Aluminum
Front (optics)	Glass
Connection types	Connector M12 5 pin, rotatable

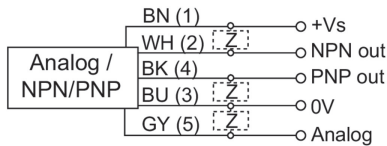
Ambient conditions

Protection class	IP 67
Operating temperature	-10 ... +55 °C
Storage temperature	-20 ... +70 °C

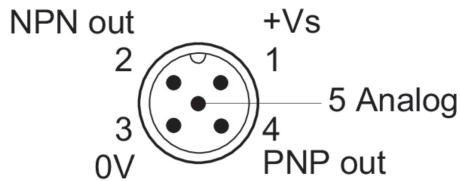
Dimension drawing



Connection diagram



Pin assignment



Relative receiving signal

