

Overview

- Low jitter for most accurate positioning tasks
- RGB LED
- Dynamic teach-in
- Connector rotatable to 5 positions
- Optional lenses for distances up to 40 mm



Picture similar



Technical data

General data

| | |
|------------------------|----------------------------|
| Type | Diffuse contrast sensor |
| Version | Low jitter |
| Light source | LED red / green / blue |
| Sensing distance Tw | 9 mm ±3 mm |
| Power on indication | LED green |
| Output indicator | LED yellow |
| Sensitivity adjustment | Teach-in |
| Distance to focus | 9 mm |
| Wave length | 465 nm 520 nm 630 nm |
| Beam type | Line, horizontal |
| Beam height | 0.8 mm |
| Beam width | 4 mm |

Electrical data

| | |
|------------------------------|-------------------|
| Response time / release time | < 0.01 ms |
| Jitter | < 0.007 ms |
| Voltage supply range +Vs | 10 VDC ... 30 VDC |

Electrical data

| | |
|-----------------------------|----------------------|
| Current consumption typ. | 50 mA (@ 24 VDC) |
| Voltage drop Vd | < 2 VDC |
| Output function | Light / dark operate |
| Output circuit | PNP |
| Output current | < 100 mA |
| Short circuit protection | Yes |
| Reverse polarity protection | Yes |

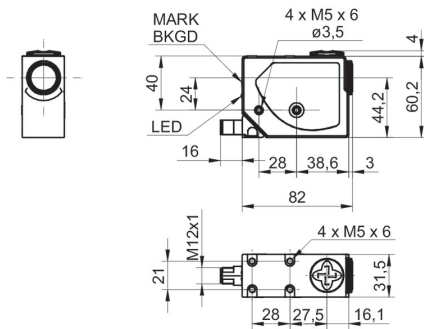
Mechanical data

| | |
|------------------|--------------------------------|
| Width / diameter | 31.9 mm |
| Height / length | 60.2 mm |
| Depth | 79 mm |
| Type | Rectangular |
| Housing material | Aluminum |
| Front (optics) | Glass |
| Connection types | Connector M12 5 pin, rotatable |

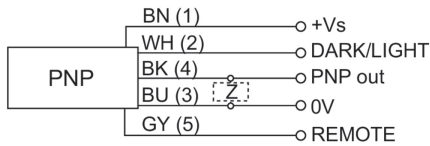
Ambient conditions

| | |
|-----------------------|----------------|
| Protection class | IP 67 |
| Operating temperature | -10 ... +55 °C |
| Storage temperature | -20 ... +70 °C |

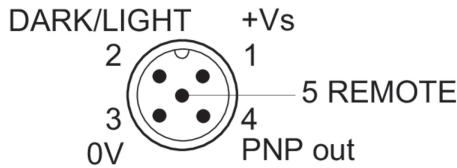
Dimension drawing



Connection diagram



Pin assignment



Relative receiving signal

