

Overview

- Edge measurement of opaque and transparent objects with a precision of up to 5 µm
- Additional measurement modes available: Width, gap, object center and gap center
- Reflector foil for flexible mounting
- Contamination display as additional data via IO-Link



Technical data

General data

Type	Edge position, transparent edge, width, gap, object center, gap center
Version	Performance
Measuring range Mr	24 mm
Measuring distance (to object)	< 40 mm
Adjustment	IO-Link
Power on indication	LED green
Output indicator	LED yellow
Repeat accuracy	5 µm
Linearity error	± 0.8 % Mr (S = 0 ... 40 mm) ± 0.4 % Mr (S = 15 ... 40 mm)
Smallest object recognizable	1 mm
Temperature drift	0,01 % Sde/K

Light Source

Light source	Pulsed infrared diode
Wave length	850 nm

Electrical data

Response delay	< 0.6 ms
Measuring frequency	> 2000 Hz
Voltage supply range +Vs	12 ... 28 VDC
Current consumption max. (no load)	100 mA
Output circuit	Analog and digital
Output signal	4 ... 20 mA
Load resistance	< (+Vs - 9 V) / 0.02 A
Output current	<100 mA
Short circuit protection	Yes

Electrical data

Reverse polarity protection	Yes
-----------------------------	-----

Communication interface

Interface	IO-Link V1.1.3
IO-Link port type	Class A
Baud rate	230.4 kBaud (COM 3)
Cycle time	≥ 1 ms
Process data length	48 Bit
Process data structure	Smart Sensor Profile DMSS PDI48.MS-DCF_1

Mechanical data

Width / diameter	38.9 mm
Height / length	71.6 mm
Depth	58.8 mm
Design	Rectangular, front view
Housing material	Aluminum
Field of view	Side view
Front (optics)	Glass
Connection types	Connector M8 4 pin
Weight	70 g

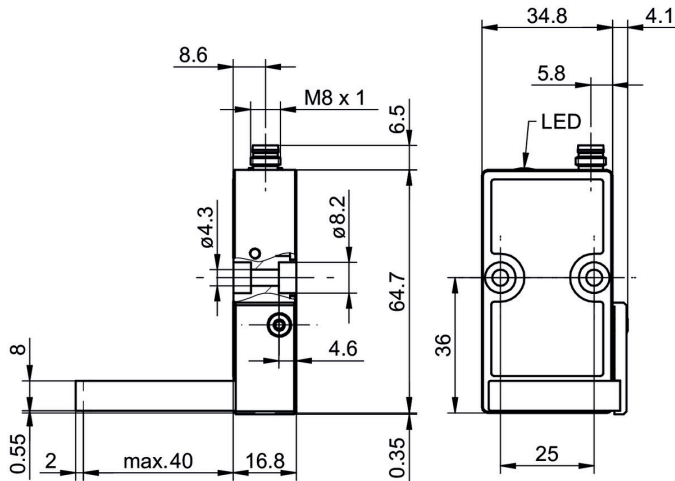
Ambient conditions

Ambient light immunity	< 60 kLux
Protection class	IP 67
Operating temperature	0 ... +55 °C
Storage temperature	-20 ... +60 °C
Vibration (sinusoidal)	IEC 60068-2-6:2008 1 mm p-p at f = 10 - 55 Hz, duration 5 min per axis 30 min endurance at f = 55 Hz per axis
Shock (semi-sinusoidal)	IEC 60068-2-27:2009 30 g / 11 ms, 6 jolts per axis and direction

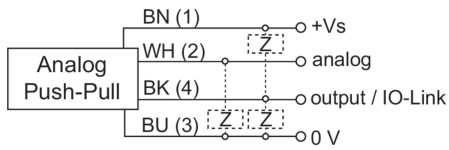
Remarks

- Measurement with Baumer standardized measuring equipment and targets (Measurement on 90% remission (white)).

Dimension drawing



Connection diagram



Pin assignment

