

OE60C.EC-4TF.SXF

Controller box - EtherCAT

Article number: 11264668

Preliminary

Overview

- Optional controller box for OE60
- Connection of up to 4 pairs of sensors
- Capable of field use thanks to IP 50
- Easy mount on DIN rails
- Communication via EtherCat interface



Picture similar

Technical data

General data

Number of sensor connections	4
Compatible sensors	OE60
Adjustment	Display EtherCAT
LED display	Status LED sensor (green/ red) Ethernet port status (green/ yellow) Network status (green/ red)

Electrical data

Voltage supply range +Vs	15 ... 30 VDC
Output circuit	Push-pull
Short circuit protection	Yes
Reverse polarity protection	Yes, Vs to GND

Communication interface

Interface	EtherCAT
Communication type	PDO / SDO communication
Connection types	2x female M12, 4-pin, D-coded (EtherCAT)
Number of connections	2

Mechanical data

Width / diameter	114 mm
Height / length	116 mm
Depth	43 mm
Housing material	PC, PA
Mounting	DIN rail mounting
Connection types	1x male M12, 5-pin, A-coded (voltage supply) 4x female M12, 5-pin, A-coded (sensor)
Weight	227 g

Ambient conditions

Protection class	IP 50
Operating temperature	0 ... +55 °C
Storage temperature	-20 ... +60 °C
Vibration (sinusoidal)	IEC 60068-2-6:2008 1.5 mm p-p at f = 10 - 57 Hz, 10 cycles per axis, 10 g at 58 - 2000 Hz, 10 cycles per axis
Shock (semi-sinusoidal)	IEC 60068-2-27:2009 30 g / 11 ms, 6 jolts per axis and direction

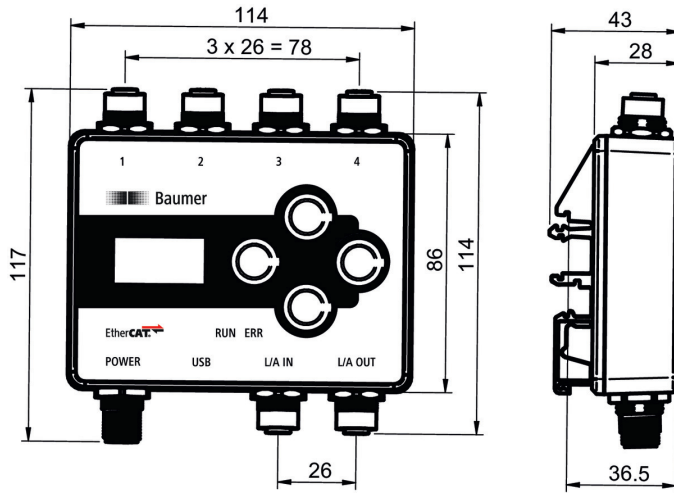
OE60C.EC-4TF.SXF

Controller box - EtherCAT

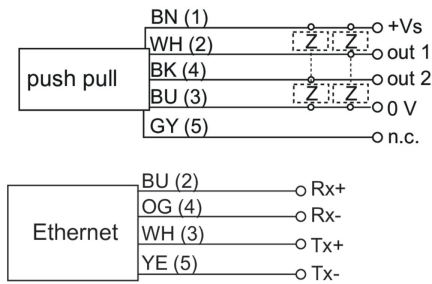
Article number: 11264668

Preliminary

Dimension drawing



Connection diagram



Pin assignment

