

OHDM 16P5001/S14

Diffuse sensors with background suppression - standard

Article number: 10236806

Overview

- background suppression
- 25 ... 300 mm
- pulsed red laser diode
- PNP
- mechanical, 8 turn
- connector M12 4 pin
- -10 ... 50 °C
- IP 67



Picture similar



Technical data

General data

| | |
|-------------------------------------|-------------------------|
| Type | Background suppression |
| Light source | Pulsed red laser diode |
| Sensing distance Tw | 25 ... 300 mm |
| Sensing range Tb (at Tw max.) | 40 ... 300 mm |
| Sensing range Tb (at Tw min.) | 5 ... 25 mm |
| Repeat accuracy | < 0.1 mm at laser focus |
| Output indicator | LED yellow |
| Sensing distance adjustment | Mechanical, 8 turn |
| Laser class | 2 |
| Distance to focus | 80 mm |
| Wave length | 650 nm |
| Suppression of reciprocal influence | Yes |

Electrical data

| | |
|------------------------------|---------------|
| Response time / release time | < 0.6 ms |
| Voltage supply range +Vs | 10 ... 30 VDC |

Electrical data

| | |
|------------------------------------|----------------------|
| Current consumption max. (no load) | 35 mA |
| Current consumption typ. | 25 mA |
| Voltage drop Vd | < 2 VDC |
| Output function | Light / dark operate |
| Output circuit | PNP |
| Output current | < 200 mA |
| Short circuit protection | Yes |
| Reverse polarity protection | Yes |

Mechanical data

| | |
|------------------|---------------------|
| Width / diameter | 15.4 mm |
| Height / length | 50 mm |
| Depth | 50 mm |
| Type | Rectangular |
| Housing material | Die-cast zinc |
| Front (optics) | Glass |
| Connection types | Connector M12 4 pin |

Ambient conditions

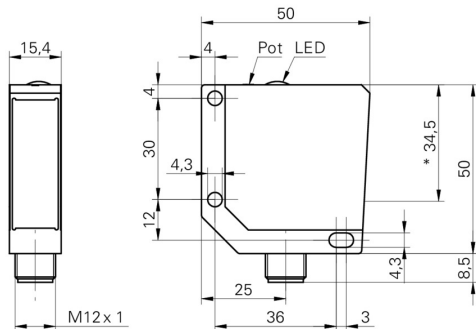
| | |
|-----------------------|----------------|
| Protection class | IP 67 |
| Operating temperature | -10 ... +50 °C |

OHDM 16P5001/S14

Diffuse sensors with background suppression - standard


Article number: 10236806

Dimension drawing



- * emitter axis

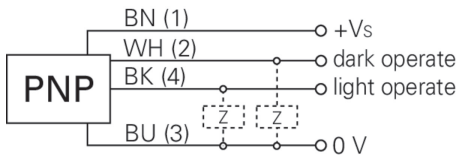
Laser warning



LASER RADIATION
DO NOT STARE INTO BEAM
Wavelength: 640...670nm
IEC 60825-1, Ed. 3, 2014
CLASS 2 LASER PRODUCT

IEC 60825-1/2014 Complies with 21 CFR 1040.10 and 1040.11 except for conformance with IEC 60825-1 Ed. 3., as described in Laser Notice No. 56, dated May 8, 2019

Connection diagram



Beam characteristic (typically)

