

Overview

- Adjustable reference distance (zero point position)
- Intuitive limitation of the measuring range
- Configurable switching output
- Selectable filters and trigger modes
- Additional data such as signal quality on request
- Export and import function for parameter sets



Picture similar



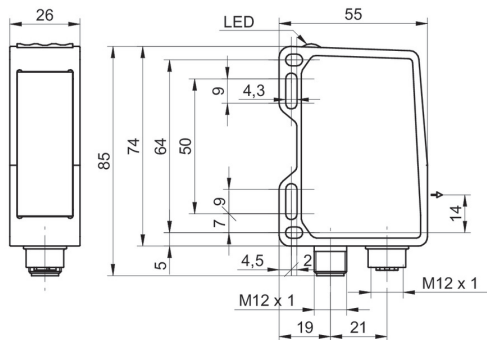
Technical data

General data		Electrical data	
Type	Distance measuring	Output current	< 100 mA
Version	OM70 laser point	Switching output	Push-pull
Measuring distance Sd	40 ... 140 mm	Short circuit protection	Yes
Measuring range Mr	100 mm	Reverse polarity protection	Yes, Vs to GND
Sweet spot	70 mm	Communication interface	
Adjustment	Webserver, Ethernet TCP/IP	Interface	Ethernet TCP/IP
Power on indication	LED green	Protocol	Profinet (Class B), Modbus TCP, OPC UA, UDP streaming, EtherNet/IP
Output indicator	LED yellow / LED red	Webserver	Yes
Ethernet link indication	LED blue	Mechanical data	
Resolution	1.2 ... 2.5 µm	Width / diameter	26 mm
Repeat accuracy	0.3 ... 0.7 µm	Height / length	74 mm
Linearity error	± 0.07 % Mr	Depth	55 mm
Beam type	Point	Type	Rectangular, front view
Temperature drift	0,015 % Sde/K	Housing material	Aluminum
Hysteresis digital output	Adjustable	Front (optics)	Glass
Light Source		Connection types	Connector M12 8 pin & M12 4 pin
Light source	Pulsed red laser diode	Weight	135 g
Wave length	660 nm	Ambient conditions	
Laser class	1	Ambient light immunity	< 38 kLux
Electrical data		Protection class	IP 67
Response delay	0.8 ms	Operating temperature	-10 ... +50 °C
Measuring frequency	2000 Hz	Storage temperature	-20 ... +60 °C
Voltage supply range +Vs	15 ... 28 VDC	Vibration (sinusoidal)	IEC 60068-2-6:2008 1 mm p-p at f = 10 - 55 Hz, duration 5 min per axis 30 min endurance at f = 55 Hz per axis
Current consumption max. (no load)	75 mA	Shock (semi-sinusoidal)	IEC 60068-2-27:2009 30 g / 11 ms, 6 jolts per axis and direction
Output circuit	Analog and digital		
Output signal	4 ... 20 mA / 2 ... 10 mA / 0 ... 10 VDC / 0 ... 5 VDC		

Remarks

- Measurement with Baumer standardized measuring equipment and targets (Measurement on 90% remission (white)). Values of Resolution, linearity error and repeat accuracy apply to a measurement with filter setting (Median: 9, Average: 128).

Dimension drawing



- * emitter axis

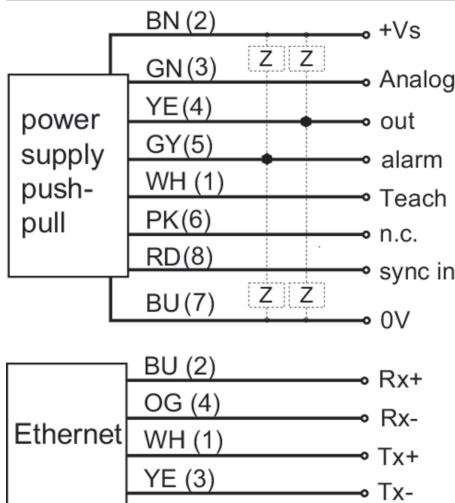
Laser warning

**CLASS 1 LASER
PRODUCT**

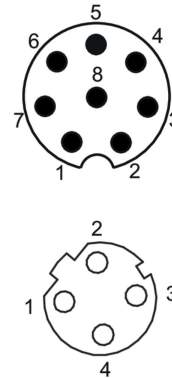
IEC 60825-1/2014

Complies with 21 CFR 1040.10 and 1040.11 except for conformance with IEC 60825-1 Ed. 3., as described in Laser Notice No. 56, dated May 8, 2019

Connection diagram



Pin assignment



Beam characteristic (typically)

