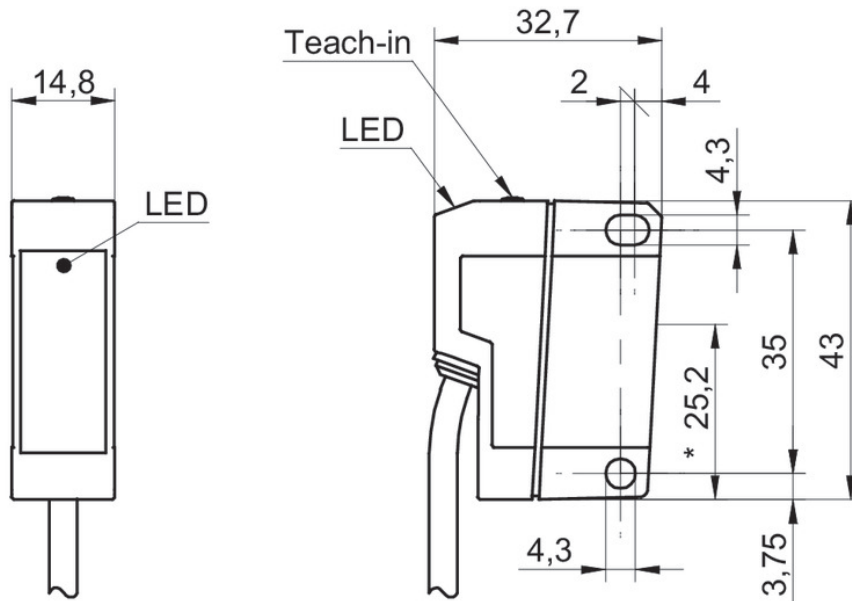




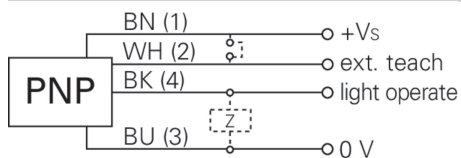
**propos**

- Sn, Sb: la valeur apprise reste mémorisée après coupure d'alimentation

**Dessins techniques**



**Schéma de raccordement**



**Mise en garde**

**CLASS 1 LASER  
PRODUCT**

IEC 60825-1/2014  
Complies with 21 CFR 1040.10 and  
1040.11 except for conformance with  
IEC 60825-1 Ed. 3., as described in  
Laser Notice No. 56, dated May 8, 2019