

OPDM 16P5102

Retro-reflective sensors - standard

Article number: 10239621

Overview

- retro-reflective laser sensor
- 11 m
- pulsed red laser diode
- PNP
- no
- cable 4 pin, 2 m
- -10 ... 50 °C
- IP 67



Picture similar



Technical data

General data

Type	Retro-reflective laser sensor
Light source	Pulsed red laser diode
Actual range Sb	11 m
Nominal range Sn	12 m
Repeat accuracy	1.5 mm at 0 ... 0,5 m
Polarization filter	Yes
Alignment / soiled lens indicator	Flashing light indicator
Light indicator	LED yellow
Sensitivity adjustment	No
Laser class	1
Distance to focus	400 mm
Wave length	650 nm

Electrical data

Response time / release time	< 0.1 ms
Voltage supply range +Vs	10 ... 30 VDC
Current consumption max. (no load)	70 mA

Electrical data

Current consumption typ.	60 mA
Voltage drop Vd	< 2 VDC
Output function	Light / dark operate
Output circuit	PNP
Output current	< 200 mA
Short circuit protection	Yes
Reverse polarity protection	Yes

Mechanical data

Width / diameter	15.4 mm
Height / length	50 mm
Depth	50 mm
Type	Rectangular
Housing material	Die-cast zinc
Front (optics)	Glass
Connection types	Cable 4 pin, 2 m

Ambient conditions

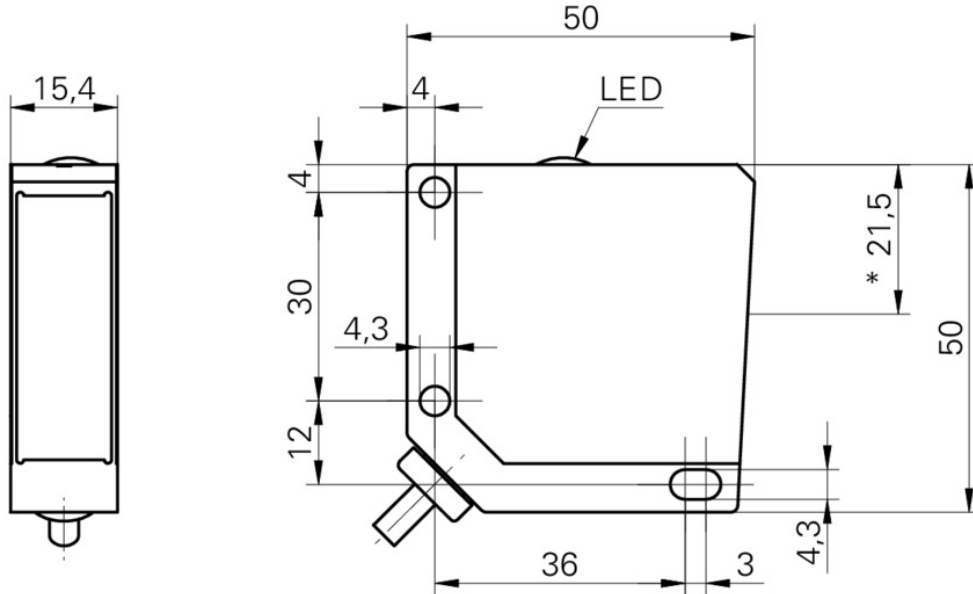
Operating temperature	-10 ... +50 °C
Protection class	IP 67

OPDM 16P5102

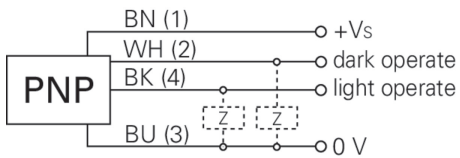
Retro-reflective sensors - standard

Article number: 10239621

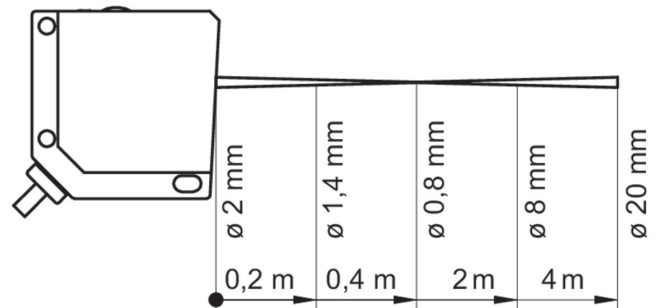
Technical drawings



Connection diagram



Beam characteristic (typically)



Laser warning

**CLASS 1 LASER
PRODUCT**

IEC 60825-1/2014
Complies with 21 CFR 1040.10 and 1040.11 except for conformance with IEC 60825-1 Ed. 3., as described in Laser Notice No. 56, dated May 8, 2019