

Process displays

For strain gauge

With 2 limits

PA402



Features

- Process display to measure weight, pressure, torsion, strain, etc
- Input signal ± 30 mV or ± 300 mV
- Display range can be linearised
- Display stabilization filter
- Tare, Min, Max functions
- LED display, 4-digits
- DIN housing 96 x 48 mm

PA402 - Process display

Technical data - electrical ratings

Voltage supply	12...265 VDC and 20...265 VAC
Power consumption	3 W
Sensor supply	5 V ± 0.5 V / max. 30 mA 10 V ± 0.5 V / max. 30 mA
Display	LED, 7-segment display (with 100 unit stickers for front)
Number of digits	4-digits
Digit height	14 mm
Display range	-9999...9999 ("OuE" as overflow display)
Display refresh	50 ms
Function	Digital display of 1 analog measured value, With tare function
A/D transformer	Principle $\Sigma\Delta$ Resolution 16 bit Measuring rate 20/s Measuring accuracy $\pm(0.05\% + 4\text{-digit})$ Temp. coeffic. 100 ppm/ $^{\circ}\text{C}$
Analog input	Strain gauge to measure strain, pressure, weight, torsion
Programmable parameters	Measuring range Display range can be linearised Decimal point Relay outputs with time delay or hysteresis 1st and 2nd-order digital filter to smooth display for steadier reading
Limits	Without, 2
Data memory	>10 years in EEPROM
Outputs relay	Change-over contact, floating
Standard DIN EN 61010-1	Protection class II Overvoltage category II Pollution degree 2

Technical data - electrical ratings

Emitted interference	DIN EN 61000-6-3
Interference immunity	DIN EN 61000-6-2

Technical data - mechanical design

Ambient temperature	-10...+60 $^{\circ}\text{C}$
Storage temperature	-25...+85 $^{\circ}\text{C}$
Relative humidity	95 % non-condensing
Connection	Spring-loaded terminal connector, detachable
Core cross-section	1 mm ² (Grid 5.08) 2.5 mm ² (Grid 7.62)
Protection DIN EN 60529	IP 65 (face)
Operation / keypad	Membrane with softkeys
Housing type	Built-in housing
Dimensions W x H x L	96 x 48 x 96 mm
Cutout dimensions	92 x 45 mm (+0.3)
Mounting depth	83 mm
Mounting type	Front panel installation by clip frame
Weight approx.	150 g
Material	Housing: Polycarbonate, UL 94V-0

Process displays

For strain gauge

With 2 limits

PA402

Part number

PA402.0 8 AX01

Voltage supply
8 12...265 VDC and 20...265 VAC

Design

- 0 Without relay outputs
- 1 With two relay outputs

Accessories

Mounting accessories

ZPA4.001 Accessory for DIN rail mounting (ZPA4.001)

Inputs and outputs

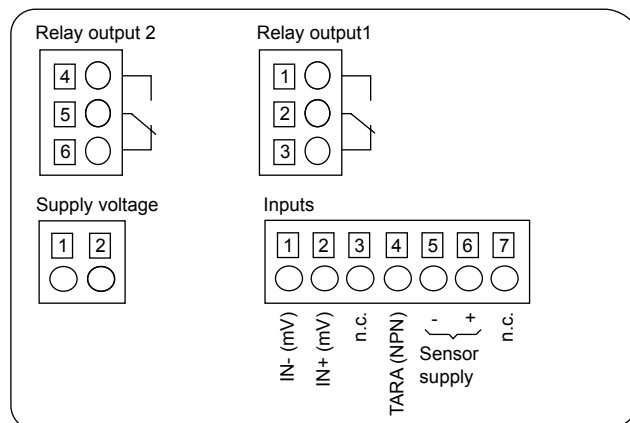
Analog input

Sensing range	Resolution	Input resistance
±30 mV	1 µV	100 MΩ
±300 mV	15 µV	100 MΩ

Relay outputs

Switching voltage max.	250 VAC / 110 VDC
Switching current max.	1 A
Switching performance max.	150 VA / 30 W

Connection diagram



Process displays

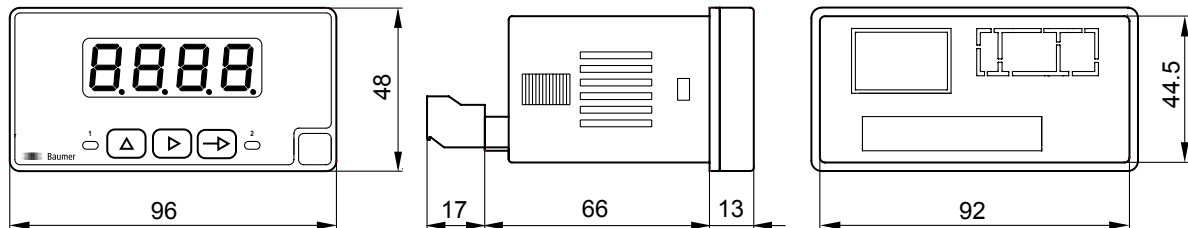
For strain gauge

With 2 limits

PA402

Dimensions

PA402 - without clip frame



PA402 - clip frame mounting

