

Preliminary

Overview

- Detection of water-based liquids
- For container walls made of plastic or glass up to 6 mm
- Foam and adhesion compensation
- Air gaps of up to 1 mm between tank and sensor
- High immunity to humidity and moisture



Picture similar



Technical data

General data

Special type	Adhesion compensation
Nominal sensing distance Sn	6 mm
Nominal sensing distance Sn adjustable	0.5 ... 6 mm
Mounting type	Flush with container outer wall
Sensitivity adjustment	Teach-in: remote
Output indicator	LED yellow
Power on indication	LED green
Measurement type	Contactless

Field of application

Detection of non-conductive media	Yes (water-based liquids)
Fill level detection through container	Yes
Liquids in direct contact	No
Object detection / bulk goods	No

Electrical data

Voltage supply range +Vs	10 ... 30 VDC
Current consumption max. (no load)	70 mA
Output circuit	Push-pull

Remarks

- Foam and adhesion compensation
- Reference material: PC container, tap water

Electrical data

Output current	≤50 mA
Voltage drop Vd	<3 VDC
Switching frequency	5 Hz
Short circuit protection	Yes
Reverse polarity protection	Yes

Mechanical data

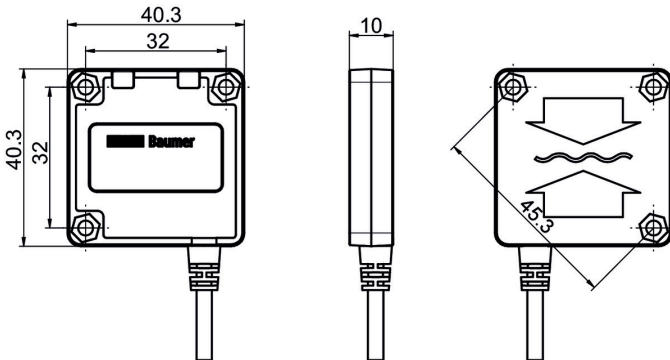
Design	Rectangular
Housing material	PP/PA
Dimension	40 mm
Housing length	40 mm
Depth	10 mm
Connection types	Flylead connector M12, L=200 mm

Ambient conditions

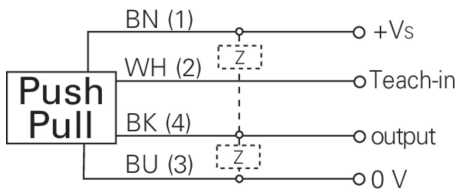
Operating temperature	-25 ... +60 °C
Storage temperature	-40 ... +80 °C
Shock (semi-sinusoidal)	IEC 60068-2-27:2009 30 g / 11 ms, 6 jolts per axis and direction
Vibration (sinusoidal)	IEC 60068-2-6:2008 1 mm p-p at f = 10 - 55 Hz, duration 5 min per axis 30 min endurance at f = 55 Hz per axis
Protection class	IP 67

Preliminary

Dimension drawing



Connection diagram



Pin assignment

