

POG 10 + ESL 90

Encoder with integrated electronic speed switch

Solid shaft with EURO flange B10 / 300...5000 pulses per revolution

Overview

- TTL output driver for cable length up to 550 m
- Electronic speed monitoring
- Circuit breaker with one selectable threshold speed
- EURO flange B10 / solid shaft \varnothing 11 mm
- Terminal boxes, turn by 180°



Technical data

Technical data - electrical ratings (encoder)

Voltage supply	9...30 VDC; 5 VDC \pm 5 %
Consumption w/o load	\leq 100 mA
Pulses per revolution	300 ... 5000
Phase shift	90° \pm 20°
Duty cycle	40...60 %
Reference signal	Zero pulse, width 90°
Output frequency	\leq 120 kHz \leq 300 kHz (on request)
Output signals	K1, K2, K0 + inverted Error output (option EMS)
Output stages	HTL-P (power linedriver) TTL/RS422
Sensing method	Optical

Technical data - electrical ratings (speed switch)

Switching accuracy	\pm 4 % (\leq 1500 rpm) \pm 2 % ($>$ 1500 rpm)
Switching hysteresis	= 30 % of switching speed
Switching outputs	1 output, speed control
Output switching capacity	\leq 6 A / 250 VAC; \leq 1 A / 48 VDC (EAC: $<$ 50 VAC / 75 VDC)
Minimum switching current	100 mA
Switching delay time	\leq 40 ms

Technical data - mechanical design

Size (flange)	\varnothing 115 mm
Shaft type	\varnothing 11 mm solid shaft

Technical data - mechanical design

Admitted shaft load	\leq 300 N axial \leq 450 N radial
Flange	EURO flange B10
Protection EN 60529	IP 66
Operating speed	\leq 6000 rpm
Range of switching speed (ns)	650...6000 rpm
Operating torque typ.	3 Ncm
Rotor moment of inertia	220 gcm ²
Material	Housing: aluminium die-cast Shaft: stainless steel
Operating temperature	-20...+85 °C
Resistance	IEC 60068-2-6 Vibration 10 g, 10-2000 Hz IEC 60068-2-27 Shock 100 g, 11 ms
Corrosion protection	IEC 60068-2-52 Salt mist for ambient conditions C4 according to ISO 12944-2
Connection	2x terminal box 3x terminal box (with option M)
Weight approx.	2.7 kg 2.9 kg (with option M)
Interference immunity	EN 61000-6-2
Emitted interference	EN 61000-6-3
Approval	CE

Optional

- Function control with EMS (Enhanced Monitoring System)
- Redundant sensing with two terminal boxes
- Housing foot (B3)

POG 10 + ESL 90

Encoder with integrated electronic speed switch

Solid shaft with EURO flange B10 / 300...5000 pulses per revolution

Terminal assignment

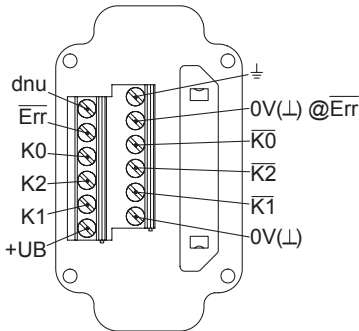
View A (see dimension)

Connecting terminal terminal box encoder



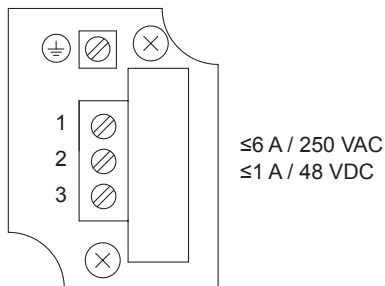
Option EMS: View A (see dimension)

Connecting terminal terminal box encoder



View B (see dimension)

Connecting terminal speed switch ESL 90



Terminal significance

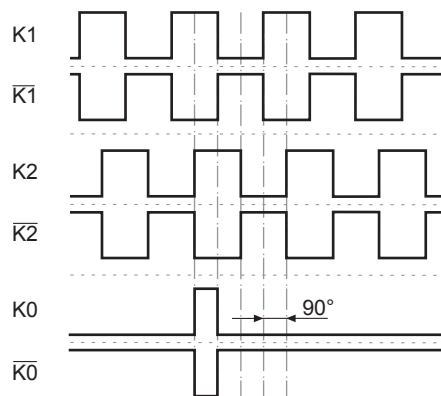
Encoder incremental

+UB	Voltage supply
0V (⊥)	Ground
⊥	Earth ground (housing)
K1	Output signal channel 1
$\overline{K1}$	Output signal channel 1 inverted
K2	Output signal channel 2 (offset by 90° to channel 1)
$\overline{K2}$	Output signal channel 2 inverted
K0	Zero pulse (reference signal)
$\overline{K0}$	Zero pulse inverted
\overline{Err}	Error output (option EMS)
dnu	Do not use

Output signals

HTL/TTL

At positive rotating direction (see dimension)



Option EMS: Status LED / error output

Flash light red*	Error of signal sequence, zero pulse or pulses (Error output = HIGH-LOW alternation)
Red	Overload output transistors (Error output = LOW)
Flash light green	Device o.k., rotating (Error output = HIGH)
Green	Device o.k., stopped (Error output = HIGH)
No light	No voltage supply connection or wrong connection (Error output = LOW)

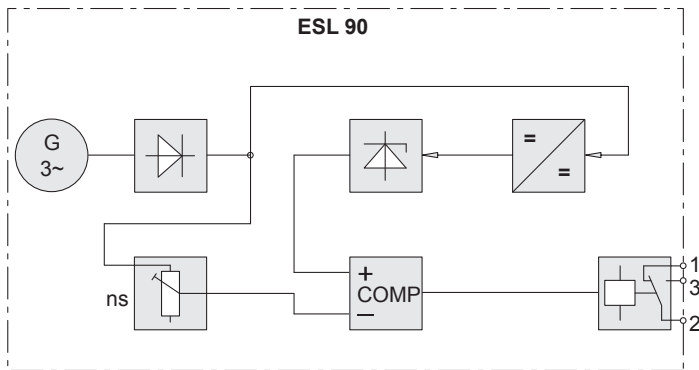
* Only at rotating device

POG 10 + ESL 90

Encoder with integrated electronic speed switch

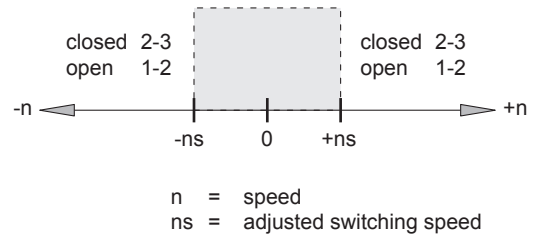
Solid shaft with EURO flange B10 / 300...5000 pulses per revolution

Block circuit diagram



Speed switch ESL 90

Switching characteristics

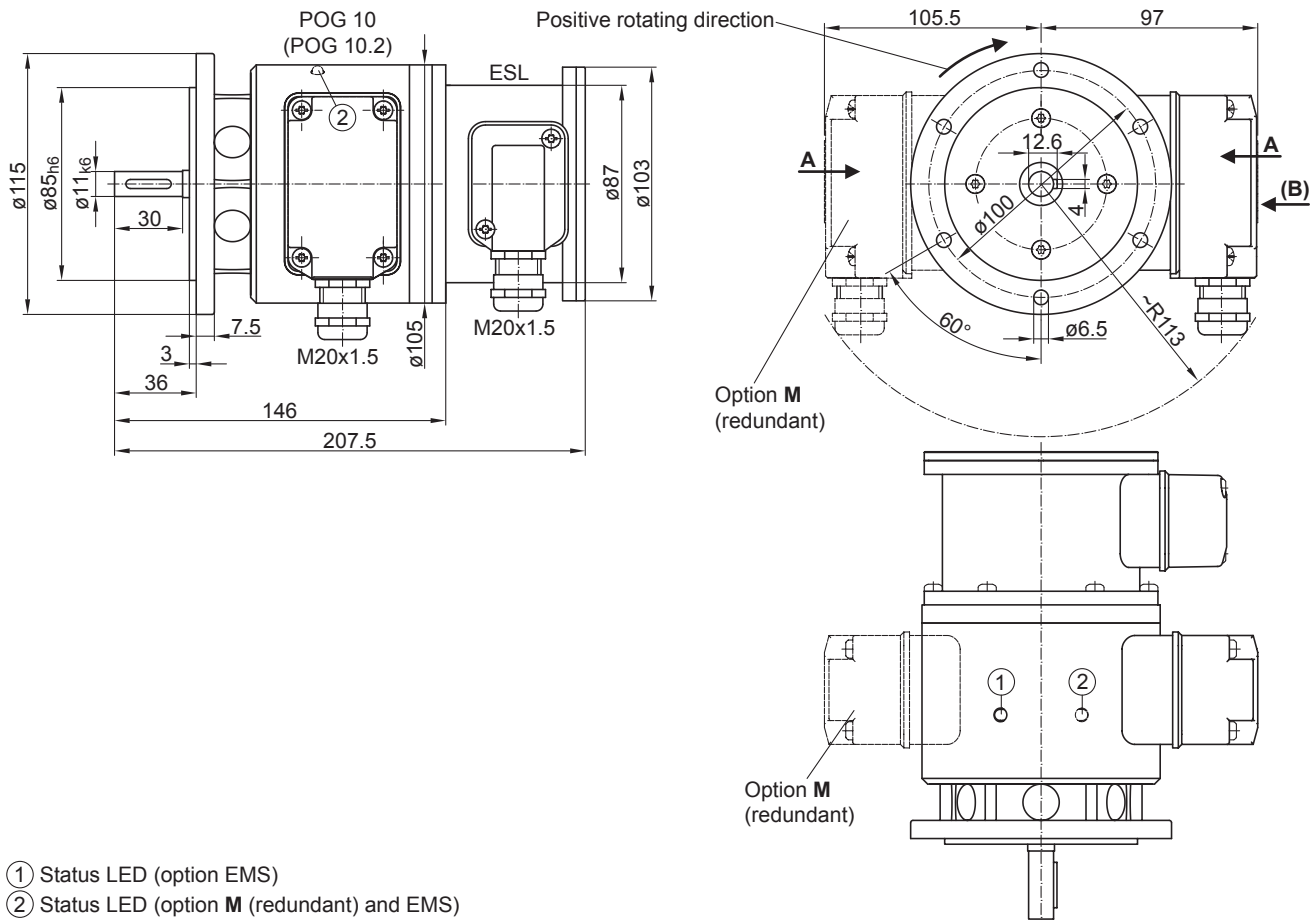


POG 10 + ESL 90

Encoder with integrated electronic speed switch

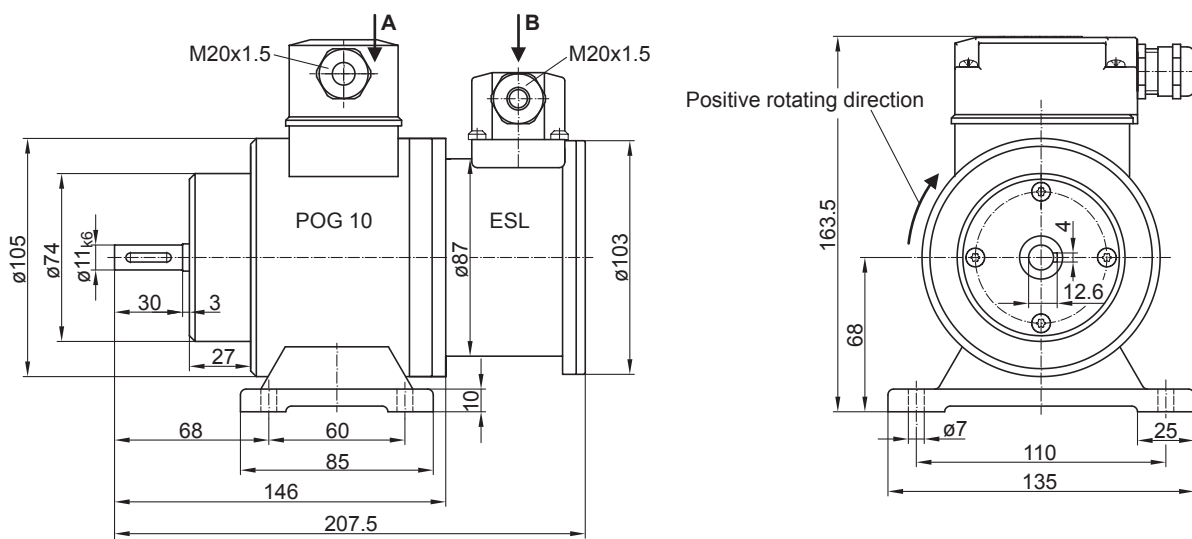
Solid shaft with EURO flange B10 / 300...5000 pulses per revolution

Dimensions



- ① Status LED (option EMS)
- ② Status LED (option **M** (redundant) and EMS)

EURO flange B10



Housing foot B3

POG 10 + ESL 90

Encoder with integrated electronic speed switch

Solid shaft with EURO flange B10 / 300...5000 pulses per revolution

Ordering reference

	POG10	##	#	DN	####	###	#####	+ESL90	...
Product									
Incremental encoder + Speed switch	POG10								
EMS - Enhanced Monitoring System									
Without EMS									
With EMS		.2							
Redundant sensing									
Without redundant sensing									
With redundant sensing			M						
Output signals									
K1, K2, K0				DN					
Pulse number⁽¹⁾									
300					300				
500					500				
512					512				
1000					1000				
1024					1024				
1200					1200				
2048					2048				
2500					2500				
3072					3072				
4096					4096				
5000					5000				
Voltage supply / output stage									
9...30 VDC / output stage HTL with inverted signals						I			
5 VDC / output stage TTL with inverted signals						TTL			
9...30 VDC / output stage TTL with inverted signals						R			
Mounting type									
EURO flange B10									
Housing foot B3							B3		
Version speed switch									
Electronic speed switch, 1 output, speed control								+ESL90	
Switching speed (ns)									
650...6000 rpm ⁽²⁾									...

(1) Other pulse numbers on request.

(2) Please specify the exact switching speed in addition to the part number (factory setting).

Accessories

Mounting accessories

Spring disk coupling K 35 (shaft ø6...12 mm)

Spring disk coupling K 50 (shaft ø11...16 mm)

Spring disk coupling K 60 (shaft ø11...22 mm)