

POG 90

Solid shaft with EURO flange B10
1024...10000 pulses per revolution

Overview

- Encoder with solid shaft $\varnothing 11$ mm
- EURO flange B10
- Large terminal box, turn by 180°
- Optical sensing method
- Max. 10000 pulses per revolution
- Output stage HTL or TTL
- Output stage TTL with regulator UB 9...26 VDC



Technical data

Technical data - electrical ratings

Voltage supply	9...30 VDC 5 VDC ± 5 % 9...26 VDC
Consumption w/o load	≤ 100 mA
Pulses per revolution	1024 ... 10000
Phase shift	$90^\circ \pm 8^\circ$
Duty cycle	44...56 %
Reference signal	Zero pulse, width 90°
Sensing method	Optical
Output frequency	≤ 250 kHz
Output signals	K1, K2, K0 + inverted
Output stages	HTL TTL/RS422
Interference immunity	EN 61000-6-2
Emitted interference	EN 61000-6-3
Approval	CE UL approval / E217823

Technical data - mechanical design

Size (flange)	$\varnothing 115$ mm
Shaft type	$\varnothing 11$ mm solid shaft
Admitted shaft load	≤ 250 N axial ≤ 350 N radial

Technical data - mechanical design

Flange	EURO flange B10
Protection EN 60529	IP 66
Operating speed	≤ 10000 rpm (mechanical)
Operating torque typ.	2 Ncm
Rotor moment of inertia	320 gcm ²
Material	Housing: aluminium die-cast alloy and stainless steel Shaft: stainless steel
Operating temperature	-20...+85 °C
Resistance	IEC 60068-2-6 Vibration 10 g, 10-2000 Hz IEC 60068-2-27 Shock 100 g, 11 ms
Corrosion protection	IEC 60068-2-52 Salt mist for ambient conditions C4 according to ISO 12944-2
Explosion protection	II 3 G Ex ec IIC T4 Gc (gas) II 3 D Ex tc IIIC T135°C Dc (dust) (only with option ATEX)
Connection	Terminal box
Weight approx.	1.8 kg

Optional

- Second shaft end
- Housing foot (B3)

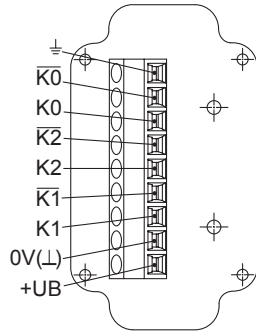
POG 90

Solid shaft with EURO flange B10
1024...10000 pulses per revolution

Terminal assignment

View A (see dimension)

Connecting terminal terminal box, radial



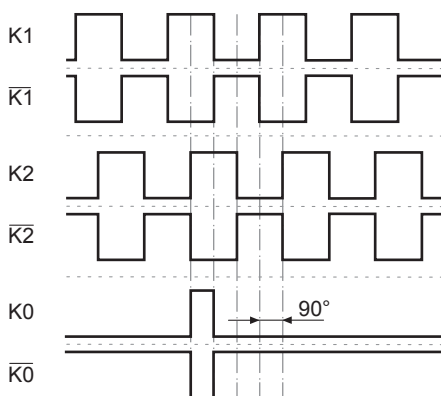
Terminal significance

+UB	Voltage supply
0V (L)	Ground
⊥	Earth ground (housing)
K1	Output signal channel 1
$\overline{K1}$	Output signal channel 1 inverted
K2	Output signal channel 2 (offset by 90° to channel 1)
$\overline{K2}$	Output signal channel 2 inverted
K0	Zero pulse (reference signal)
$\overline{K0}$	Zero pulse inverted

Output signals

HTL/TTL

At positive rotating direction (see dimension)

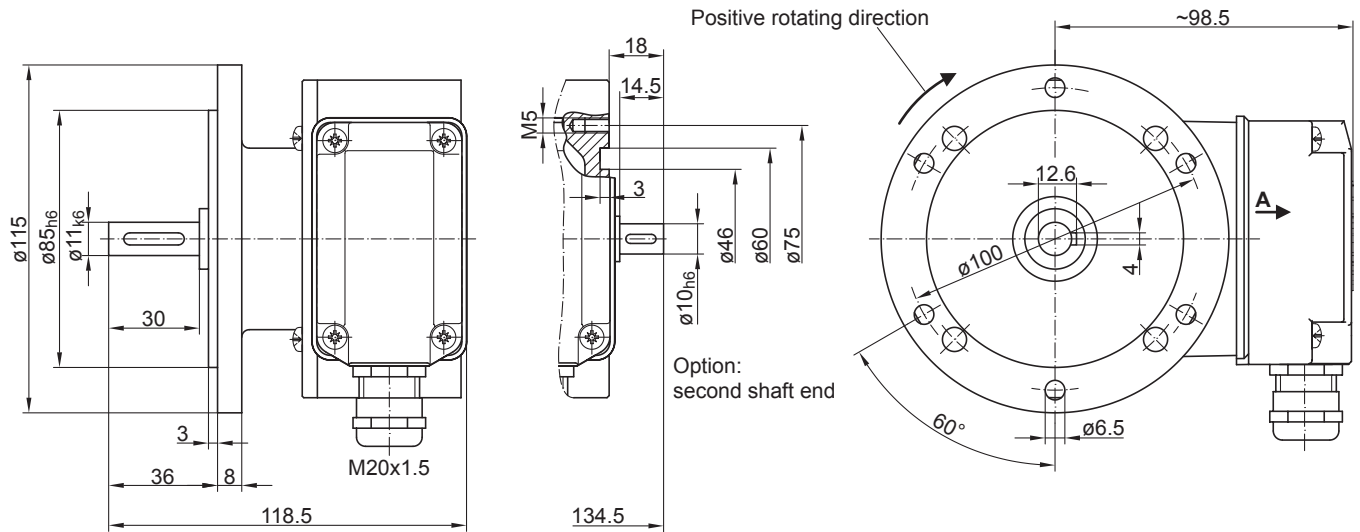


POG 90

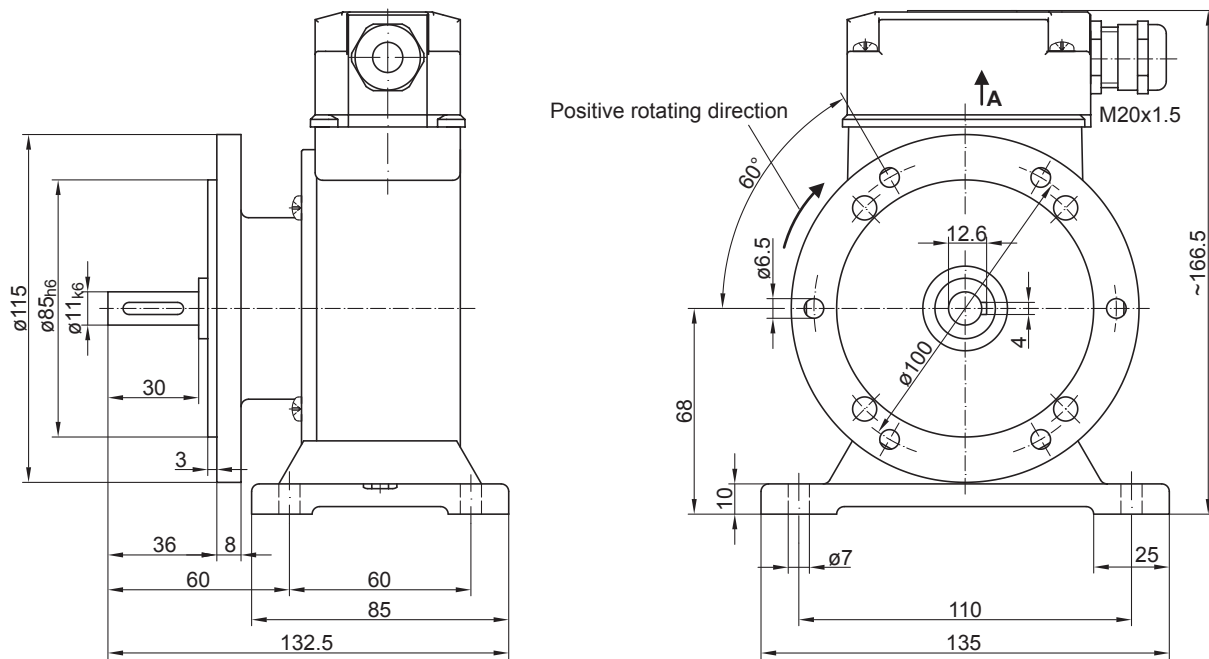
Solid shaft with EURO flange B10

1024...10000 pulses per revolution

Dimensions



Version with Euro flange (B10)



Version with Euro flange (B10) and housing foot (B3)

POG 90

Solid shaft with EURO flange B10

1024...10000 pulses per revolution

Ordering reference

	POG90	DN	####	###	#####
Product	POG90				
Incremental encoder					
Output signals					
K1, K2, K0		DN			
Pulse number⁽¹⁾					
1024			1024		
2000			2000		
2048			2048		
2500			2500		
3072			3072		
3600			3600		
4096			4096		
5000			5000		
10000			10000		
Voltage supply / output stage					
9...30 VDC / output stage HTL with inverted signals					I
5 VDC / output stage TTL with inverted signals					TTL
9...30 VDC / output stage TTL with inverted signals					R
Mounting type					
EURO flange B10					
Housing foot B3 + EURO flange B10					B3/B10

(1) Other pulse numbers on request.

Accessories
Mounting accessories

- Spring disk coupling K 35 (shaft ø6...12 mm)
- Spring disk coupling K 50 (shaft ø11...16 mm)
- Spring disk coupling K 60 (shaft ø11...22 mm)

Diagnostic accessories

- 11075858 Analyzer for encoders HENQ 1100
- 11075880 Analyzer for encoders HENQ 1100 B