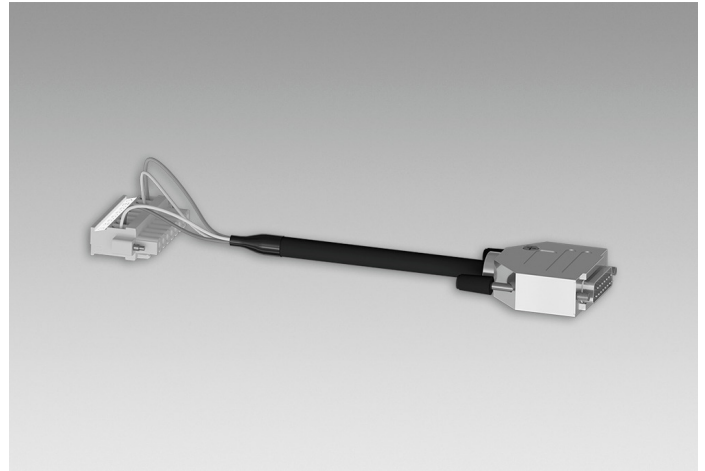


Programming cable for HMG10P/PMG10P (SSI) with terminal box

Article number: 11191144

Overview

- Adapter cable for programming the HMG10P/PMG10P SSI series with terminal box
- With D-SUB connector (male) for connection of encoders of HMG10/PMG10 SSI series with terminal box to the WLAN adapter Z-PA.SDL.1
- The encoder can be connected to the WLAN adapter in ONLINE or OFFLINE mode



Technical data

Technical data

Cable length	1 m
Connection	Connector D-SUB (male), 15-pin (Z-PA.SDL.1 WLAN adapter) Terminal connector, 8-pin (terminal box xMG10P)

Scope of delivery

Connector D-SUB (male) 15-pin with connecting cable and 8-pin terminal connector

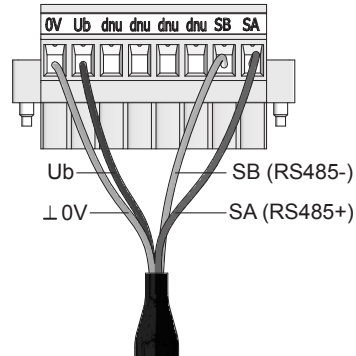
Suitable for

Z-PA.SDL.1 WLAN adapter, HMG10P/PMG10P

Terminal assignment

Terminal connector 8-pin for terminal box for HMG10P/PMG10P SSI series

(Cable colour: Ub = brown, 0V = white, SA = green, SB = yellow)



View Y

D-SUB connector (male) for connection to the WLAN adapter

