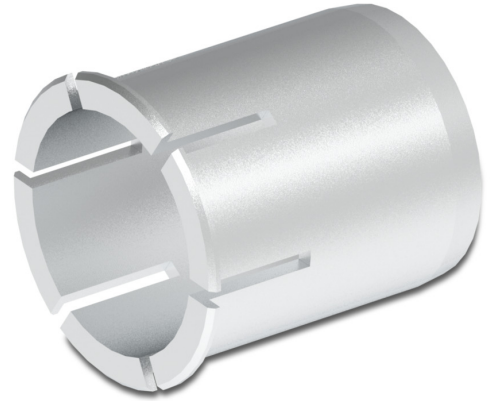


Overview

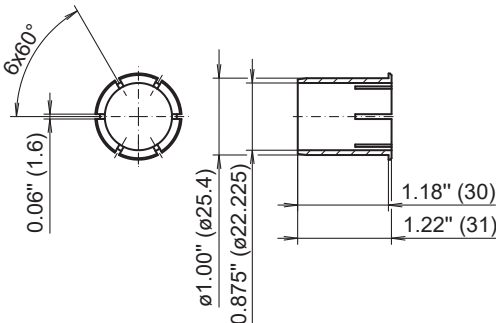
- Easy assembly by plugging in
- Exchange possible without tools
- Quick adjustment of the required diameter
- Suitable for high speeds



Description

Allows the mounting on diameter $\varnothing 0.87''$ ($\varnothing 22.225$ mm) on the motor shaft. Basis for the reducer insert is a hollow shaft diameter of 25.4 mm. Subsequent replacement without tools. Outer diameter: 25.4 mm, Material: Aluminium

Dimensions



\varnothing nominal dimension		tolerance		
inch (in ")	metric (in mm)		inch (in 1/1000")	metric (in μ m)
0.875"	22.225	G7	+1.10 +0.28	+28 +7