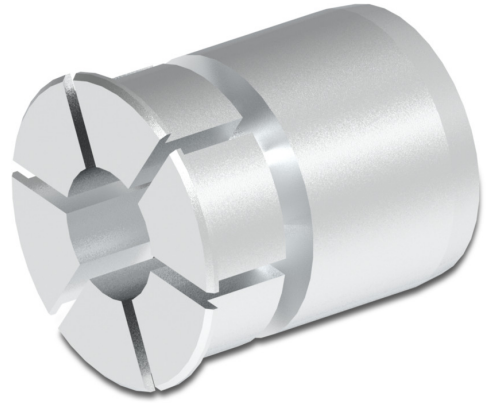


## Reducer insert HS35 $\varnothing$ 12 mm

Article number: 11087745

### Overview

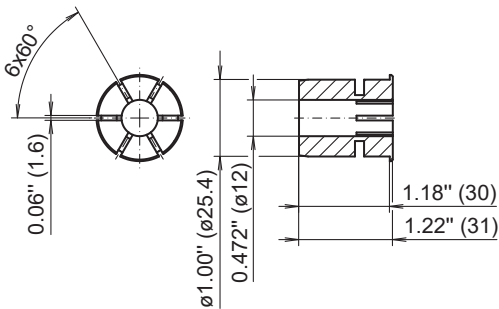
- Easy assembly by plugging in
- Exchange possible without tools
- Quick adjustment of the required diameter
- Suitable for high speeds



### Description

Allows the mounting on diameter 12 mm on the motor shaft. Basis for the reducer insert is a hollow shaft diameter of 25.4 mm. Subsequent replacement without tools. Outer diameter: 25.4 mm, Material: Aluminium

### Dimensions



ø nominal dimension		tolerance		
inch (in ")	metric (in mm)		inch (in 1/1000")	metric (in $\mu$ m)
0.472"	12	H8	+1.06 0	+27 0