

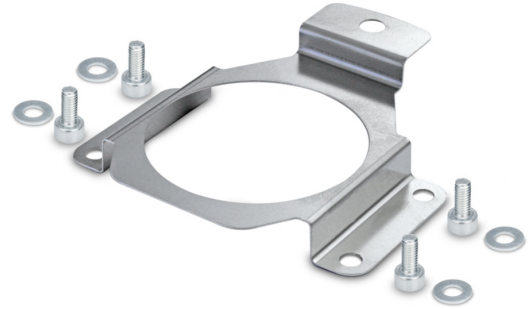
Spring coupling, hole distance 32.5 mm (Z 119.101)

Spring coupling, 1-armed, bolt circle $\varnothing 65$ mm, mounting M4

Article number: 11201396

Overview

- For high-dynamic applications and high demand on accuracy



Description

- Fix spring coupling onto flange by help of the attached screws. Push encoder onto the drive shaft and mount spring coupling onto the contact surface.

Scope of delivery

Spring coupling, 4x lock washers, 4x screws M3 x 6 (hexagon socket)

Dimensions

