

Spring disk coupling K 35 (shaft $\varnothing 6...12$ mm)

Article number: K 35

Overview

- High quality torsionally stiff and backlash free coupling
- Compensating of mounting errors
- Balanced torsional rigidity (torsional spring constant)
- Protection against shaft currents with an insulated hub on non-drive end ($\varnothing 11$ H7)
- Additional key possible



Technical data

Technical data

Mounting type	For shaft $\varnothing 6...12$ mm
Operating speed	≤ 15000 rpm
Moment of inertia	$89 \cdot 10^{-3}$ kgcm ²
Torsional rigidity	900 Nm/rad
Operating torque	≤ 2 Ncm
Maximum torque	3 Nm

Technical data

Admissible axial movement	$\pm 0,7$ mm ($\pm 0,3$ mm at version with insulated hub version)
Admissible parallel misalignment	$\pm 0,2$ mm ($\pm 0,05$ mm at version with insulated hub version)
Admissible angular error	$\pm 1^\circ$
Weight approx.	50 g
Material	Spring disks: X12 CrNi 17 7

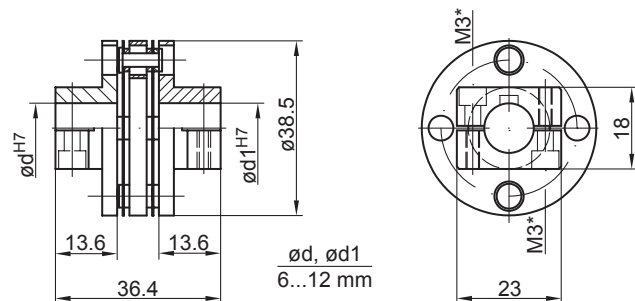
Description

Spring disk coupling, which combines the necessary torsional stiffness with the ability to compensate for axial displacement which occurs especially through heat expansion of the drive and the play backlash of the ball bearings.

Suitable for

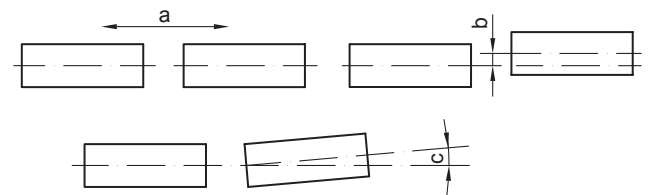
Encoders with solid shaft $\varnothing 6...12$ mm

Dimensions



* Maximum tightening torque:
 $M_t = 1$ Nm (plastic side)
 $M_t = 1.3 \pm 10\%$ Nm (metal side)

Assembly drawing



a = Admissible axial movement
 b = Admissible parallel misalignment
 c = Admissible angular error