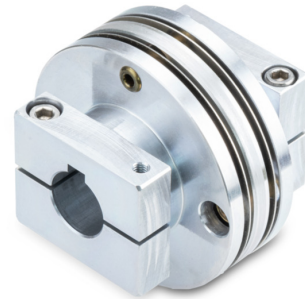


Spring disk coupling K50 WD 11PF4 + 14PF5

Article number: 11057447

Overview

- High quality torsionally stiff and backlash free coupling
- Compensating of mounting errors
- Balanced torsional rigidity (torsional spring constant)
- Form-fit connection thanks to keyway



Technical data

Technical data

Shaft diameter D1	11 mm
Shaft diameter D2	14 mm
Keyway D1	4 mm
Keyway D2	5 mm
Operating speed	≤13000 rpm (highspeed)
Moment of inertia	$258 \cdot 10^{-3} \text{ kgcm}^2$
Torsional rigidity	1400 Nm/rad

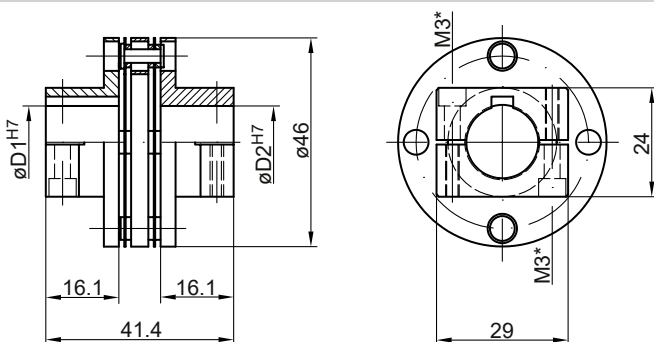
Technical data

Operating torque	≤8 Nm
Maximum torque	10 Nm
Admissible axial movement	± 0.7 mm
Admissible parallel misalignment	± 0.15 mm
Admissible angular error	± 1 °
Electrical insulation	No
Weight approx.	95 g

Description

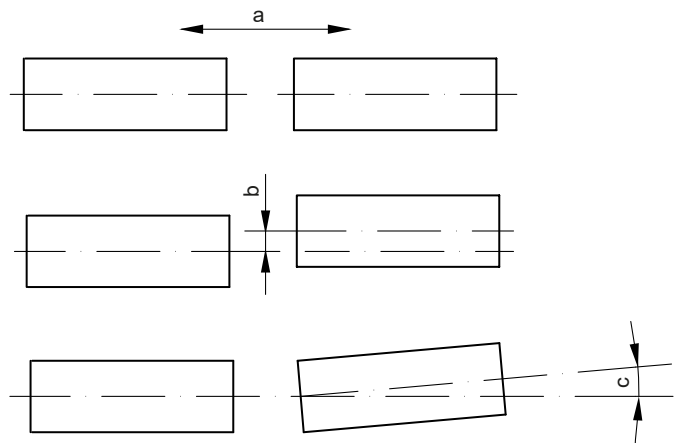
Spring disk coupling, which combines the necessary torsional stiffness with the ability to compensate for axial displacement which occurs especially through heat expansion of the drive and the play backlash of the ball bearings.

Dimensions



* Maximum tightening torque:
Mt = 1 Nm (plastic side)
Mt = $1.3 \pm 10\%$ Nm (metal side)

Assembly drawing



a = Admissible axial movement
b = Admissible parallel misalignment
c = Admissible angular error