

# TDP0,2E LS-4 0099004030

Solid shaft with B5 flange, with own bearings

Article number: 11252181

## Overview

- High signal quality even at low speeds thanks to silver graphite brush technology (CA)
- Open circuit voltage 60 V per 1000 rpm
- Temperature compensated
- B5 flange
- Solid shaft  $\varnothing 7 \times 30$  mm with key
- Connection cable 5 m


**HUBNER**  
 BERLIN  
 A Baumer Brand

## Technical data

### Technical data - electrical ratings

Reversal tolerance	$\leq 0.1 \%$
Linearity tolerance	$\leq 0.15 \%$
Temperature coefficient	$\pm 0.05 \%/K$ (open-circuit)
Isolation class	B
Calibration tolerance	$\pm 1 \%$
Climatic test	Humid heat, constant (IEC 60068-2-3, Ca)
Performance	12 W (speed $\geq 3000$ rpm)
Armature-circuit time-constant	$< 75 \mu s$
Open-circuit voltage	60 V per 1000 rpm
Interference immunity	EN 61000-6-2
Emitted interference	EN 61000-6-3
Approval	CE

### Technical data - mechanical design

Size (flange)	$\varnothing 115$ mm
---------------	----------------------

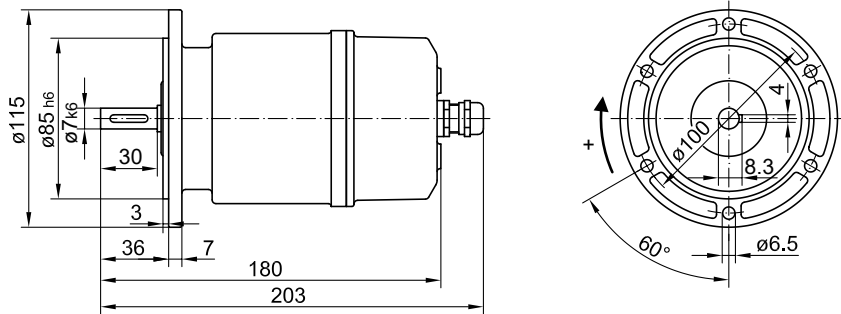
### Technical data - mechanical design

Shaft type	$\varnothing 7 \times 30$ mm solid shaft (with key)
Flange	B5 flange
Protection EN 60529	IP 55
Operating speed	$\leq 10000$ rpm
Torque	1.5 Ncm
Rotor moment of inertia	1.1 kgcm <sup>2</sup>
Admitted shaft load	$\leq 60$ N axial $\leq 80$ N radial
Material	Housing: aluminium die-cast Shaft: stainless steel
Operating temperature	-30...+130 °C
Resistance	IEC 60068-2-6 Vibration 10 g, 10-2000 Hz IEC 60068-2-27 Shock 300 g, 1 ms
Weight approx.	2.4 kg
Connection	Cable 5 m

**Terminal assignment**

<b>Pin</b>	<b>Wire colour</b>	<b>Assignment</b>
A1	Brown	+
A2	Blue	-
Polarity for positive direction of rotation		

**Dimensions**

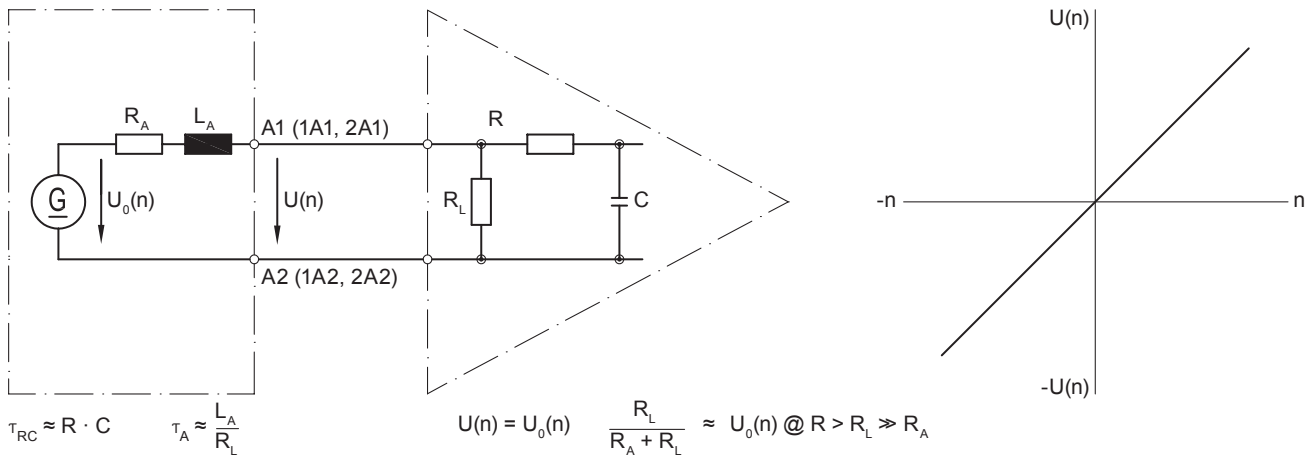


**Data according to type**

Type	Open-circuit voltage	Minimum load required depending on speed range [rpm]			Maximum operating speed	Armature resistance	Armature inductance
	$U_0$ [mV/rpm]	0-3000 $R_L$ [kΩ]	0-6000 $R_L$ [kΩ]	0- $n_{max}$ $R_L$ [kΩ]	$n_{max}$ [rpm]	$R_A$ (20°C) [Ω]	$L_A$ [mH]
TDP0,2E LS-4	60	≥2.7	≥11	≥30	10000	99	200
Superimposed ripple (for $\tau_{RC} = 0.7$ ms):		≤0.5% (peak-peak)		≤0.2% (rms)			

**Equivalent circuit diagram**

Tachogenerator



Polarity for positive rotating direction (see dimension) / A1 (1A1, 2A1): + (VDE) / A2 (1A2, 2A2): - (VDE)

**Accessories**

**Mounting accessories**

- Spring disk coupling K 35 (shaft  $\varnothing 6 \dots 12$  mm)
- Spring disk coupling K 50 (shaft  $\varnothing 11 \dots 16$  mm)
- Spring disk coupling K 60 (shaft  $\varnothing 11 \dots 22$  mm)