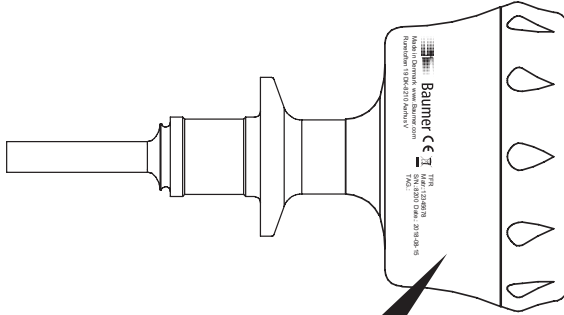


EN	Operating Instructions	3
DE	Betriebsanleitung	21
FR	Manuel de mise en service	39

CombiTemp™ TFRH/N

RTD temperature sensor

Type plate / Typenschild / Plaque d'identification



- Type ■ Type of sensor
- Matr. ■ Material number
- S/N ■ Serial number
- Date ■ Date of manufacture
- Tamb ■ Ambient temperature
- Tag ■ Tag number
- Range ■ Temperature range, customer-specific
- IP ■ Degree of protection
- Explosion protection, type-specific



- Do not dispose of in household waste



- Conformity with EU directives



- Approvals, type-specific

- Version ■ Sensortyp
- Matr. ■ Materialnummer
- S/N ■ Seriennummer
- Date ■ Herstellungsdatum
- Tamb ■ Umgebungstemperatur
- Tag ■ Kennnummer, kundenspezifisch
- Range ■ Temperaturbereich, kundenspezifisch
- IP ■ Schutzklasse
- Explosionsschutz, typspezifisch



- Nicht im Hausmüll entsorgen



- Konformität mit EU-Richtlinien



- Zulassungen, typspezifisch

- Version ■ Type de capteur
- Matr. ■ Réf. mat.
- S/N ■ Numéro de série
- Date ■ Date de fabrication
- Tamb ■ Température ambiante
- Tag ■ Identifiant, spécifique au client
- Range ■ Plage de température, spécifique au client
- IP ■ Indice de protection
- Protection contre les explosions, selon le type



- Ne pas jeter avec les ordures ménagères



- Conformité avec les directives européennes



- Autorisations, selon le type

Table of contents

1. Safety	3	9. Configuration	14
2. Installation in accordance with UL approval	3	10. Troubleshooting	15
3. Construction and function	4	11. Cleaning, maintenance and repair.....	15
4. Symbols	4	12. Disposal	15
5. Transport and storage	4	13. Accessories.....	15
6. Mounting	5	14. Technical data	16
7. Electrical connection	8	15. Process conditions	17
8. Electrical connection in explosion hazardous areas	12	16. Configuration overview.....	18

1. Safety

Intended use

The sensor measures temperatures of liquids and solids within the range of $-50 \dots 400 \text{ }^{\circ}\text{C}$.

The sensor must only be used for media against which the housing material and sensor tip are resistant.

Staff qualification

Only use staff who are trained for the activities described. This applies in particular to assembly, installation, configuration and troubleshooting. Make sure that the staff have read and understood these instructions.

Electrical connection and EMC

All electrical wirings must comply with local standards and connections must be made according to the connection diagrams.

Technical condition

Only use sensor in perfect technical condition.

Only use Baumer accessories.

Baumer will accept no liability for other manufacturers' accessories.

Operation

The power supply and environmental conditions must comply with the specifications of the device. Before switching the device on and off, possible effects on other equipment and the process run must be checked.

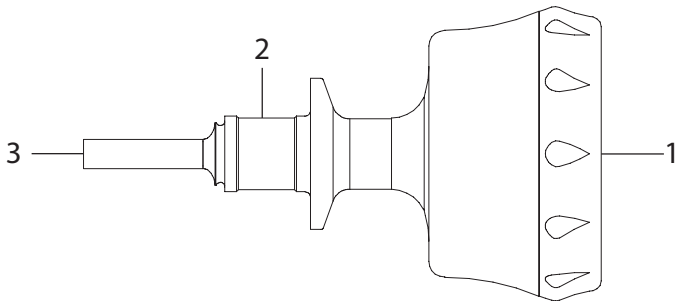
Risk of burns from hot media

During operation the sensor housing may warm up to over $50 \text{ }^{\circ}\text{C}$. When working with hot media provide protection against burns.

2. Installation in accordance with UL approval

1. Device is approved for indoor usage only.
2. IP ratings are not evaluated by UL.
3. Device must be supplied from and relay contacts connected to external circuits of Class III and limited energy meeting requirements of cl. 9.4 of UL/CSA 61010-1 3rd ed. or Class 2 of UL1310.
4. UL approved CYJV/7 or PVVA/7 cables with voltage, current and temperature ratings min. 90°C suitable for the application must be used.
5. If the device is used in a manner not specified by the manufacturer, the protection provided by the equipment may be impaired.
6. Maintenance free, no special requirements
7. Cleaning method, no special requirements: with a soft, dry cloth
8. Operating ambient: $-30^{\circ}\text{C} - 80^{\circ}\text{C}$ with display, $-40^{\circ}\text{C} - 85^{\circ}\text{C}$ without display

3. Construction and function




- 1 DFON display
- 2 Process connection
- 3 Sensor tip

The TFRH/N is a high-end programmable temperature sensor based on RTD technology. The output signal is a Pt100 signal that can be transformed to a 4 ... 20 mA output signal if a temperature transmitter is built-in. Depending on the type of sensor, temperature measurements from -50 ... 400 °C are possible. Programming can be done via the touch screen display or via the FlexProgram.

4. Symbols

4.1 Symbols in warning signs

Symbol	Warning term	Explanation
	DANGER	In situations which cause death or serious injuries.
	WARNING	In situations which can cause death or serious injuries.
	CAUTION	In situations which can cause light or medium injuries.
	ATTENTION	For material damage

4.2 Approvals



The requirements of the respective 3-A Sanitary Standards will only be fulfilled in combination with appropriate mounting accessories. Those are marked with the 3-A logo.



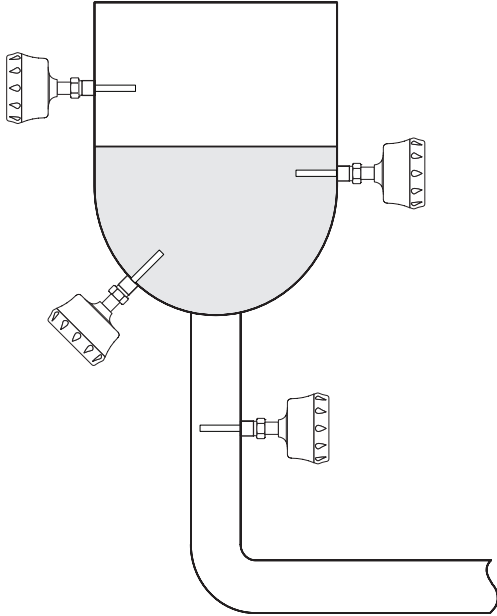
Approved for explosion hazardous areas when installed as specified.

5. Transport and storage

- ▶ Check packaging and sensor for damage.
- ▶ In the event of damage: Do not use sensor.
- ▶ Store sensor where it will be secure against shock.
Storage temperature range: -40 ... +85 °C
Relative humidity: < 98 %

6. Mounting

6.1 Mounting conditions



The sensor can be mounted on any point in the vessel or pipe.

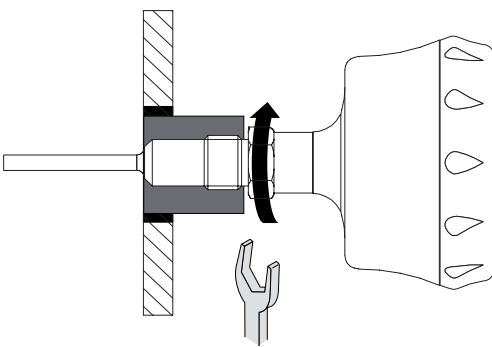
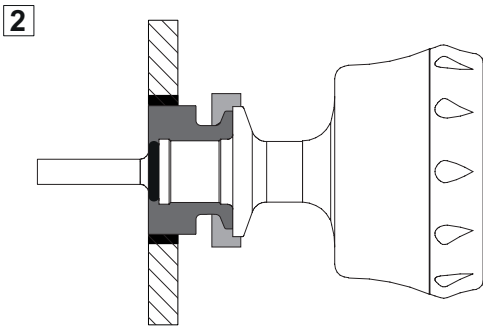
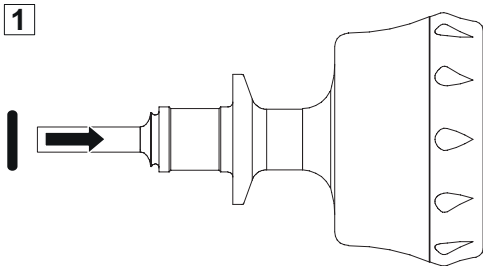
6.2 TFRH mounting



DANGER

Risk of injury from hazardous medium

- ▶ Only use weld-in sleeves or adapters from Baumer.
- ▶ Wear protective equipment for hazardous media (e.g. acids, alkaline solutions).
- ▶ Do not seal the process connections with Teflon tape (PTFE) or elastomer.
- ▶ Empty vessel and pipes before mounting.



TFRH with the following process connections:

- 3A DN 38 (BHC)
- ISO 2852 DN 38 (Tri-Clamp)
- ISO 2852 DN 51 (Tri-Clamp)
- Varivent® type N

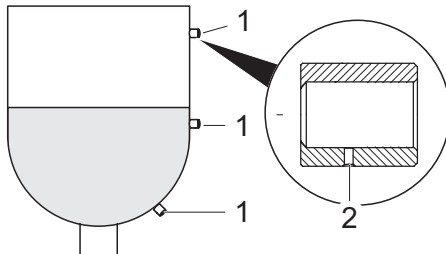
- ✓ Hole for mounting the sensor is easily accessible
- ✓ Vessel and pipe are free of media
- ▶ Mount weld-in sleeve or adapter as follows:
 - 3-A mark or arrow points upwards
 - Leakage hole points downwards
 - Hygienically and internally flush
- ▶ Grind welding to $Ra \leq 0.8 \mu\text{m}$.
- ▶ Push sealing ring on (1).
- ▶ Mount sensor on vessel or pipe and tighten the closure clamp (2).
- ▶ Check leak-tightness.

TFRH with the following process connections:

- G 1/2 A hygienic

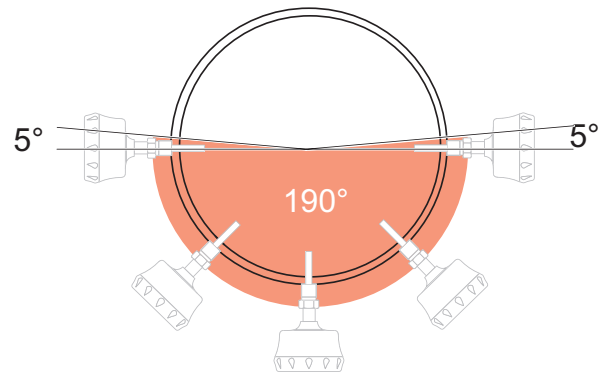
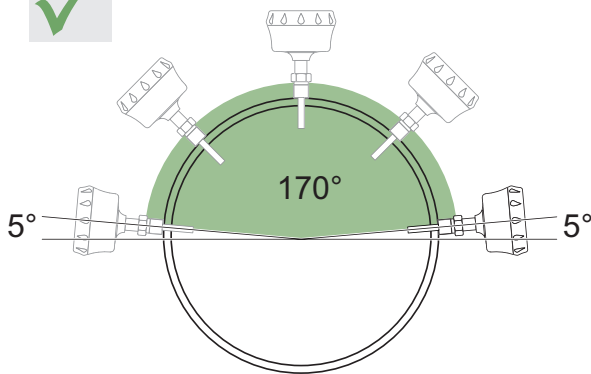
- ✓ Hole for mounting the sensor is easily accessible
- ✓ Vessel and pipe are free of media
- ▶ Mount weld-in sleeve or adapter as follows:
 - 3-A mark or arrow points upwards
 - Leakage hole points downwards
 - Hygienically and internally flush
- ▶ Grind welding to $Ra \leq 0.8 \mu\text{m}$.
- ▶ Screw in sensor.
Tightening torque: 20 Nm
- ▶ Check leak-tightness.

Example of mounting with weld-in sleeve ZPW3-321



- 1 ZPW3-321
- 2 Leakage hole

Example of mounting with weld-in sleeve ZPW2-326



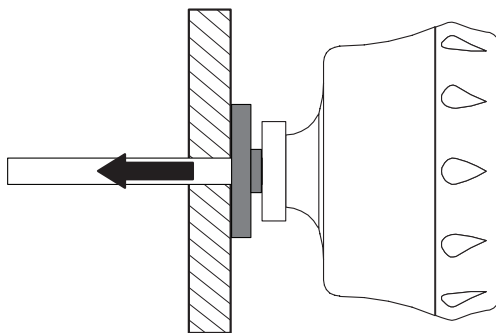
6.3 TFRN mounting



DANGER

Risk of injury from hazardous medium

- ▶ Wear protective equipment for hazardous media (e.g. acids, alkaline solutions).
- ▶ Empty vessel and pipes before mounting.

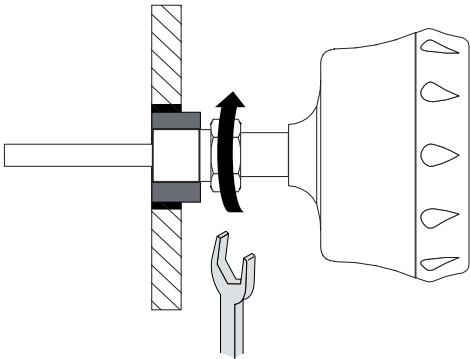


TFRN without connection

Depending on the sensor tip diameter, different options for mounting are available:

- 6 mm: Compression fitting
- 8 mm: Compression fitting or ventilation duct mounting flange

- ✓ Vessel and pipe are free of media
- ▶ Screw gland or flange on vessel, pipe or ventilation duct.
- ▶ Mount sensor into gland or flange.
- ▶ Ensure connection is tightened.

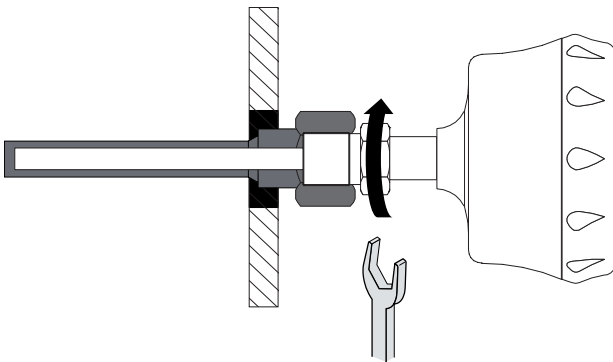
**TFRN with the following process connections:**

- G 1/2 A DIN 3852-E
- G 1/2 A DIN 3852-A
- R 1/2 ISO 7/1
- 1/2-14 NPT

- ✓ Vessel and pipe are free of media
- ▶ Seal thread on sensor with Teflon tape (PTFE) if connection does not include sealing ring.
- ▶ Screw in sensor.
Tightening torque: 20 Nm
- ▶ Check leak-tightness.

Mounting with a thermowell

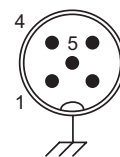
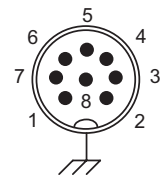
The TFRN with a G 1/2 A connection can be mounted in a thermowell of type ZPT4 from Baumer.

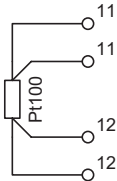
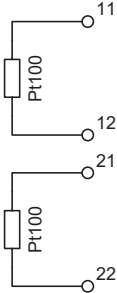
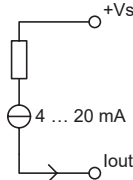
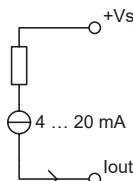


- ✓ Vessel and pipe are free of media
- ▶ Seal thread with Teflon tape (PTFE) on thermowell if no seal is attached.
- ▶ Screw in thermowell or tighten closure clamp.
- ▶ Screw sensor into thermowell.
Tightening torque: 20 Nm
- ▶ Ensure connection is tightened.

7. Electrical connection**7.1 External connections**

- ✓ A power supply of 8 ... 35 or 7 ... 40 V DC is provided depending on transmitter (see section 14.2 for details).
(with DFON display min. voltage is 11/12 V DC or 13.5/14.5 V DC depending on background intensity)
- ▶ Switch off power supply.
- ▶ Connect sensor in accordance with the pin assignment.

M12, 5-pin**M12, 8-pin**

Connector type	Output	Circuit	Pin	Function
M12, 5-pin	Pt100 (single element)		1, 2	Pt100 11
			3, 4	Pt100 12
			5	n.c.
	Pt100 (double element)		1	Pt100 11
			2	Pt100 12
			3	Pt100 21
			4	Pt100 22
			5	n.c.
	4 ... 20 mA (2-wire)		1	+Vs
		2	Common for relays 11, 21	
		3	lout	
		4	Relay 22	
		5	Relay 12	
M12, 8-pin	4 ... 20 mA (2-wire)		1	n.c.
			2	+Vs
			3	Relay 21
			4	Relay 22
			5	Relay 11
			6	Relay 12
			7	lout
			8	n.c.

If no common supply is used for both relays an M12, 8-pin connector is required.

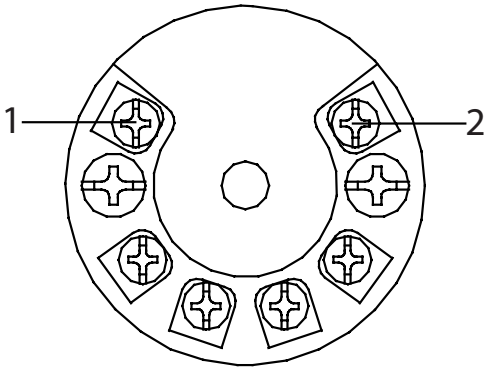
Electrical connection with cable gland

- ✓ Sensor is mounted
- ▶ Screw in cable gland.
 - Tighten M16 glands or M20 plastic 2...2.5 Nm
 - Tighten M20 steel 2.5...3 Nm

Cable gland type	Cable diameter
M16 plastic	5 ... 10 mm
M16 stainless steel	5 ... 9 mm
M20 plastic	8 ... 13 mm
M20 stainless steel	9 ... 13 mm

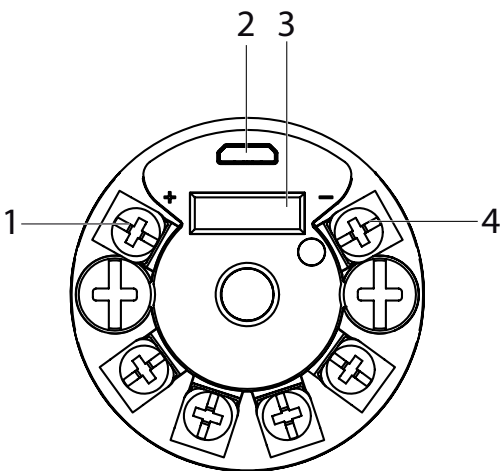
7.2 Internal connections

Connection to FlexTop™ 2202



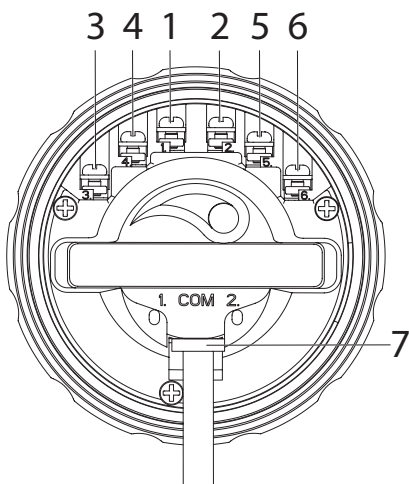
- 1 +Vs
- 2 Iout

Connection to FlexTop™ 2212/2222



- 1 +Vs
- 2 USB
- 3 UnitCom (ribbon cable)
- 4 Iout

Connection to DFON display



- 1 Iin (n.c. if using FlexTop 2212/2222)
- 2 Iout (n.c. if using FlexTop 2212/2222)
- 3 Relay 21
- 4 Relay 22
- 5 Relay 11
- 6 Relay 12
- 7 UnitCom (ribbon cable)

7.3 Mounting DFON display



ATTENTION

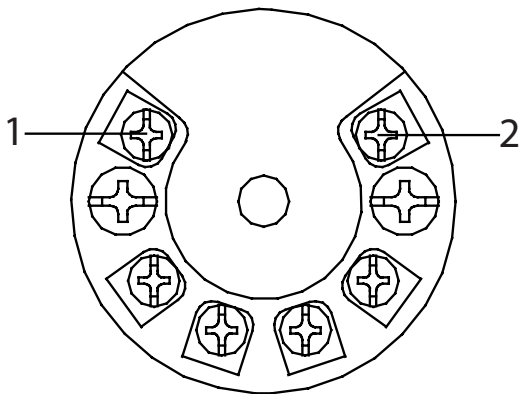
Damage of the front cover or ring

- ▶ Do not use tools to tighten the front cover or screwing ring.

- ▶ Remove the front cover.
- ▶ Remove the O-ring from the sealing groove.
- ▶ Connect the DFON display to FlexTop.
 - FlexTop 2202: According to pin assignment.
 - FlexTop 2212/2222: With internal UnitCom cable.
- ▶ Tighten the screwing ring by hand.

7.4 Connecting FlexProgrammer

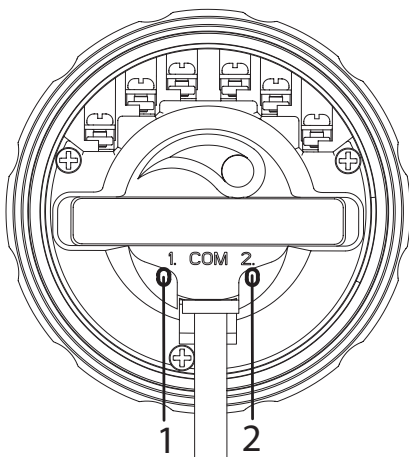
Connection to FlexTop™ 2202



- 1 Com 1
- 2 Com 2

- ▶ Open housing by unscrewing the cover.
- ▶ Connect the red clip to Com 1.
- ▶ Connect the black clip to Com 2.

Connection to DFON display



- 1 Com 1
- 2 Com 2

- ▶ Open housing by unscrewing the cover.
- ▶ Connect the red clip to Com 1.
- ▶ Connect the black clip to Com 2.

CombiTemp™ TFRH/N

RTD temperature sensor

8. Electrical connection in explosion hazardous areas



DANGER

Risk of fatal accident due to a wrongly connected sensor

Correct gas and dust protection can only be achieved by meeting their installation requirements.

- ▶ Make sure that all requirements are met and that sensor and installation have a valid approval for their specific explosive atmosphere.
- ▶ Allow only persons trained in explosion protection to perform the installation.
- ▶ Never use FlexProgrammer in explosion hazardous areas.

8.1 Explosive gas atmospheres zone 0, 1 and 2

The TFRH/N can be used with built in FlexTop™ 22xx transmitter in explosion hazardous areas of zone 0, 1 or 2. Sensors must be installed with Zener barriers. If electrostatic dissipative film on display cover becomes damaged, discontinue use in zone 0.

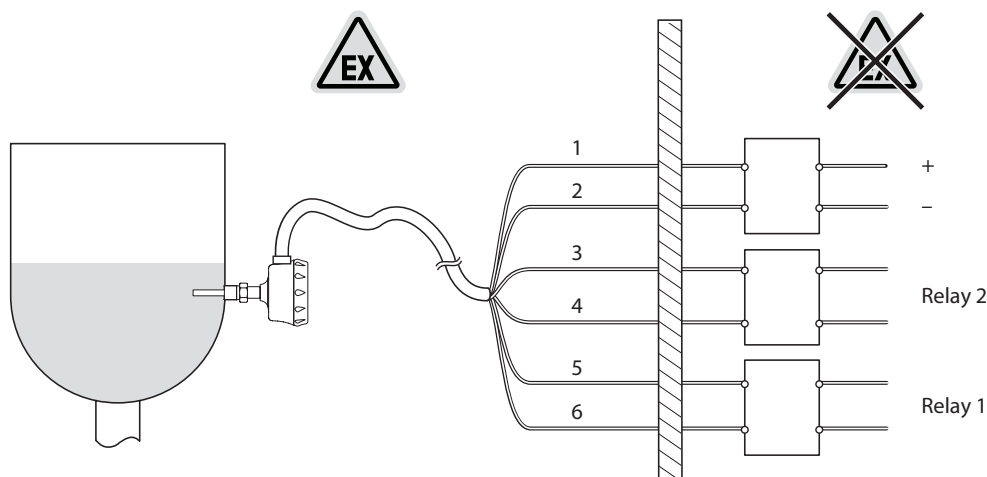
Approval for TFRH/N-xxxx.x1xx.xxxx.xxxx.xxxx: ATEX II 1G/IECEEx Ex ia IIC T6...T4

All TFRH/N with intrinsic safety protection ia

- ▶ Use Zener barriers.
- ▶ If enabled, protect each relay by a separate Zener barrier or use a barrier with multiple channels.
- ▶ Depending on the transmitter type, comply with the following temperatures and connection values.

Ex ia IIC T5 Ga

	With DFON display	Without display	
FlexTop™ 2202	Ci: 25 nF Li: 20 µH T5: $-20 \leq T_{amb} \leq +60 \text{ °C}$ T4: $-20 \leq T_{amb} \leq +65 \text{ °C}$	Ci: 25 nF Li: 20 µH T5: $-20 \leq T_{amb} \leq +60 \text{ °C}$ T4: $-20 \leq T_{amb} \leq +65 \text{ °C}$	Ui: 28 V DC li: 100 mA Pi: 700 mW
FlexTop™ 2212, 2222	Ci: 26 nF Li: 34 µH T5: $-20 \leq T_{amb} \leq +60 \text{ °C}$ T4: $-20 \leq T_{amb} \leq +65 \text{ °C}$	Ci: 11 nF Li: 24 µH T5: $-20 \leq T_{amb} \leq +60 \text{ °C}$ T4: $-20 \leq T_{amb} \leq +65 \text{ °C}$	Ui: 30 V DC li: 95 mA Pi: 750 mW
Relay outputs	Ci: 10 nF Li: 10 µH T5: $-20 \leq T_{amb} \leq +60 \text{ °C}$ T4: $-20 \leq T_{amb} \leq +65 \text{ °C}$	N/A	Ui: 30 V DC li: 75 mA Pi: 750 mW



Function	Pin
+Vs	1
Iout	2
Relay 21	3
Relay 22	4
Relay 11	5
Relay 12	6

8.2 Explosive gas atmospheres zone 2

The TFRH/N can be used in explosion hazardous areas of zone 2 without using Zener barriers.

Approval for TFRH/N-xxxx.x3xx.xxxx.xxxx.xxxx: ATEX II 3 G Ex ec IIC T5...T4

All TFRH/N with protection class ec

- ▶ Comply with the following temperatures and connection values.

Ex ec II T4/T5

Supply range	Un: 30 V DC max. In: 20 mA
Temperature class	<ul style="list-style-type: none"> ■ With display: T4: $-20 < T_{amb} < 70^{\circ}\text{C}$ T5: $-20 < T_{amb} < 60^{\circ}\text{C}$ ■ Without display: T5: $-40 < T_{amb} < 80^{\circ}\text{C}$

8.3 Simple apparatus (no display, no transmitter)

The TFRH/N without transmitter (Pt100 output) and without display can be used in explosion hazardous in all zones. Zener barrier must be used for all zones.

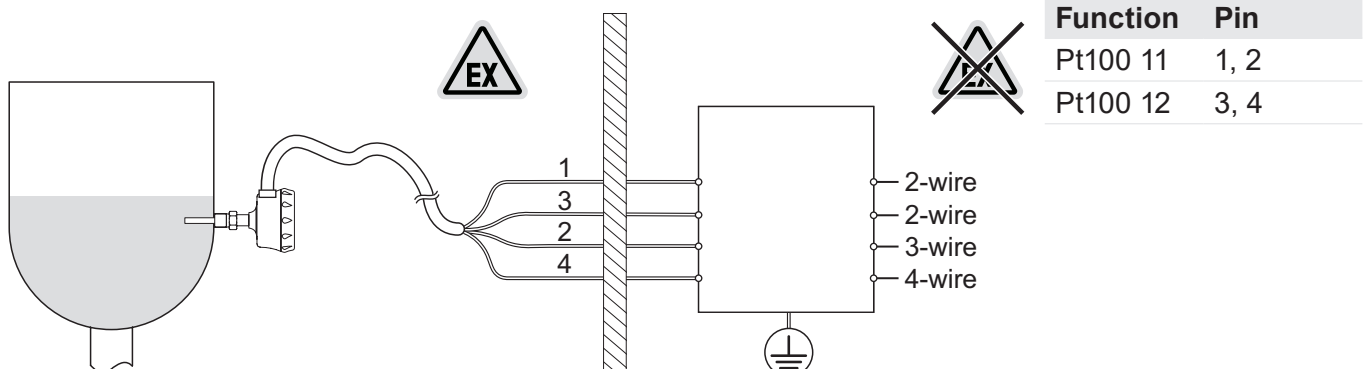
Approval for TFRH/N-xxxx.x9xx.xxxx.xxxx.xxxx: Ex ia simple apparatus Da / Ga

All TFRH/N in all zones

- ▶ Use Zener barrier.
- ▶ Comply with the following temperatures, connection values and circuit diagram.

Ex ia simple apparatus (IEC 60079-11)

Limit values	Ui: 15 V DC Ii: 50 mA Pi: 25 mW Li: 0 μH Ci: 0 nF
Temperature class	<ul style="list-style-type: none"> ■ T1 ... T5: $-40 \leq T_{amb} \leq 85^{\circ}\text{C}$ ■ T6: $-40 \leq T_{amb} \leq 55^{\circ}\text{C}$ ■ T135 $^{\circ}\text{C}$: $-40 \leq T_{amb} \leq 85^{\circ}\text{C}$



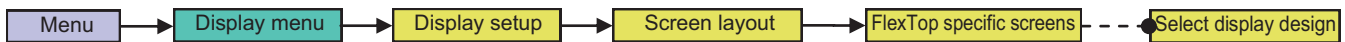
9. Configuration

9.1 Configuring DFON touch screen

- ▶ Tap on the display screen and hold until the menu button appears.
- ▶ Press menu to start the configuration.

Example

- ▶ Configure screen layout.



Further possible settings:

- Relays
- Warning and error indication
- Screen layout
- Color
- Language

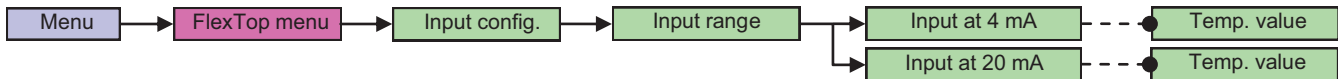
9.2 Configuring transmitter via DFON touch screen

For TFRH/N with mounted FlexTop™ 2212 and FlexTop™ 2222 transmitters further configurations can be programmed via DFON touch screen.

- ▶ Tap on the display screen and hold until the menu button appears.
- ▶ Press menu to start the configuration.

Example

- ▶ Configure input range.



- ▶ Configure damping range.



Further possible settings:

- Sensor type
- Temperature unit
- Output limit
- Sensor offset

9.3 Configuring transmitter via FlexProgram



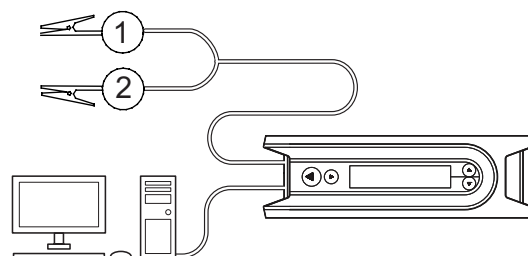
DANGER

FlexProgrammer is not ATEX approved for use in explosive atmospheres

- ▶ Do not use FlexProgrammer in explosive atmospheres.

Configuring with FlexProgrammer and PC

- ▶ Remove front cover/DFON display from TFRH/N.
- ▶ Connect FlexProgrammer to FlexTop 2202.
- ▶ Connect FlexProgrammer to PC and set parameters (see FlexProgrammer instructions).



Configuring with USB cable and PC

- ▶ Remove front cover/DFON display from TFRH/N.
- ▶ Connect PC directly to FlexTop 22x2 with a Micro-B USB cable and set parameters.

Configuration in explosive atmospheres

- ✓ Power supply off
- ▶ Disconnect TFRH/N from circuit.
- ▶ Remove TFRH/N and take it to a safe area (outside of the explosive atmosphere).
- ▶ Start configuration.

Options with FlexProgram

- Sensor type
- Temperature unit
- Temperature range
- Output limit
- Damping
- Data Logging
- Sensor offset
- Automatic cable compensation

10. Troubleshooting

Fault	Cause	Action
Display is off and no signal from transmitter	Sensor not correctly connected	▶ Check plug and power supply.
	Device error	▶ Dismount and send sensor to Baumer.
Display is on but no signal from transmitter	Short circuit	▶ Remedy short circuit.
Display is off but there is a signal from transmitter	Wrong cabling	▶ Connect the display and the transmitter with the UnitCom cable.
Display does not show the correct data	Incorrect temperature range	▶ Check programmed range limits.

11. Cleaning, maintenance and repair

Cleaning

- ▶ Clean, disinfect or sterilize sensor as needed (CIP/SIP).

Repair

- Do not repair the sensor yourself.
- ▶ Send damaged sensor to Baumer.

Maintenance

Regular maintenance is not required.

12. Disposal



- ▶ Do not dispose of in household waste.
- ▶ Separate materials and dispose of in compliance with nationally applicable regulations.

13. Accessories

For mounting aids and other accessories see www.baumer.com.

14. Technical data

14.1 Sensor

Environmental conditions	
Process pressure	See „Process conditions“
Ambient temperature range	<ul style="list-style-type: none"> ■ -40 ... 160 °C ■ -40 ... 85 °C (with transmitter) ■ -30 ... 80 °C (with display)
Humidity	< 98 %, condensing
Degree of protection	<ul style="list-style-type: none"> ■ IP67 ■ IP69K (with appropriate cable)
Vibration (sinusoidal) (IEC 60068-2-6)	<ul style="list-style-type: none"> ■ 1.6 mm p-p (2 ... 25 Hz), 4 g (25 ... 100 Hz), 1 octave/min.
Process temperature	See „Process conditions“
Mass approx.	0.8 kg, depending on product configuration

Sensor element, Pt100 DIN EN 60751		
1/1 DIN Class B	$\pm (0.3 + 0.005 \times t) \text{ °C}$	
1/3 DIN Class B	$\pm 1/3 \times (0.3 + 0.005 \times t) \text{ °C}$	
1/6 DIN Class B	$\pm 1/6 \times (0.3 + 0.005 \times t) \text{ °C}$	
1/1 DIN Class A	$\pm (0.15 + 0.002 \times t) \text{ °C}$	
Response time T50		
Sensor diameter	Liquid 0.4 m/s	Air 3 m/s
6 mm	< 6.1 s	< 27.2 s
6/4 mm	< 1.5 s	< 21.4 s
8 mm	< 7.6 s	< 47.7 s
8/4 mm	< 1.5 s	< 33.6 s

14.2 Transmitter

FlexTop® 2202 – Standard	
Input	Pt100
Output	4 ... 20 mA
Accuracy	Input: < $\pm 0.25 \text{ °C}$ Output: < $\pm 0.1 \%$ of output span
Measuring range	-200 ... 850 °C (programmable) Minimum span: 25 °C
Programmability	FlexProgrammer 9701
Voltage supply range	8 ... 35 V DC without DFON display 14.5 ... 35 V DC with DFON display
Factory settings:	
■ Output range	0 ... 120 °C
■ Connection	2-wire
■ Damping	0 s
■ Output at sensor fault	Upscale 23 mA

FlexTop® 2212 and 2222	
Input	Pt100
Output	<ul style="list-style-type: none"> ■ 2212: 4 ... 20 mA ■ 2222: 4 ... 20 mA/HART
Accuracy	Input: < $\pm 0.06 \text{ °C}$ Output: < $\pm 0.025 \%$ of output span
Measuring range	-200 ... 850 °C (programmable) Minimum span: 10 °C
Voltage supply range	7 ... 40 V DC without DFON display 13.5 ... 40 V DC with DFON display
Programmability:	
■ FlexTop® 2212	PC with FlexProgram
■ FlexTop® 2222	PC with FlexProgram / HART terminal
Factory settings:	
■ Output range	0 ... 100 °C
■ Connection	2-wire
■ Damping	0 s
■ Output at sensor fault	Upscale 23 mA

15. Process conditions

Process connection	BCID	Ordering key	Process pressure [bar]	Process temperature, standard [°C] Tamb = 20 °C	Process temperature, with cooling neck [°C] Tamb = 20 °C	Process temperature, with cooling neck and spacer Tamb = 60 °C
--------------------	------	--------------	------------------------	--	---	---

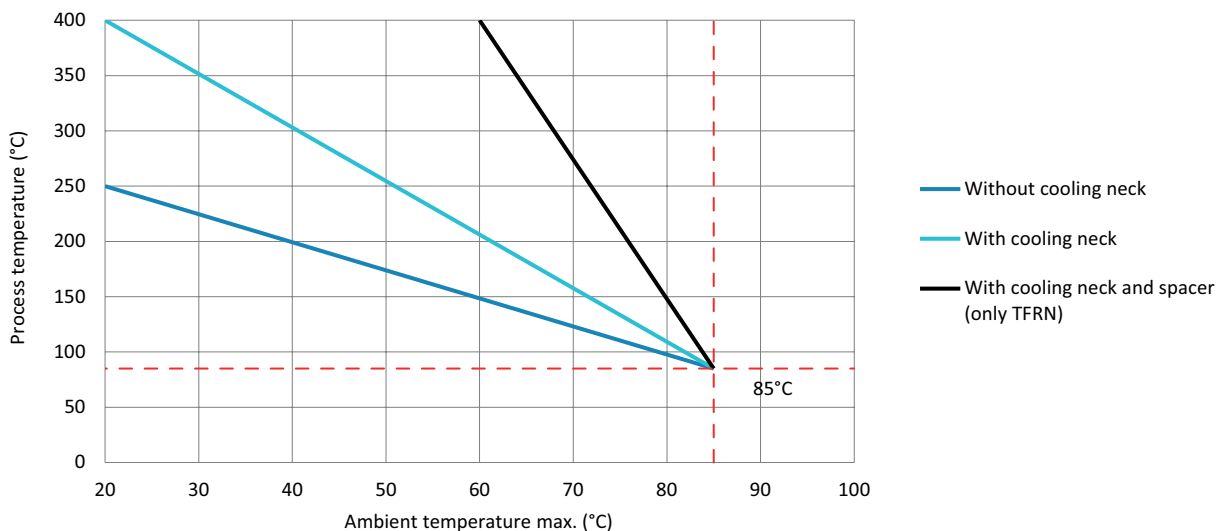
TFRN

Sleeve Ø6	T65	10	-1 ... 40	-50 ... 250	-50 ... 400	-50 ... 400
G 1/2 A DIN 3852-E	G51	11	-1 ... 100	-50 ... 250	-50 ... 400	-50 ... 400
G 1/2 A DIN 3852-A	G44	12	-1 ... 100	-50 ... 250	-50 ... 400	-50 ... 400
R 1/2 ISO 7/1	R01	13	-1 ... 100	-50 ... 250	-50 ... 400	-50 ... 400
1/2-14 NPT	N02	30	-1 ... 100	-50 ... 250	-50 ... 400	-50 ... 400

TFRH

G 1/2 A hygienic	A03	51	-1 ... 100	-50 ... 250	-50 ... 400	N/A
BHC 3A DN 38	B01	60	-1 ... 40	-50 ... 250	-50 ... 400	N/A
ISO 2852 DN38 (Tri-Clamp)	C04	65	-1 ... 40	-50 ... 250	-50 ... 400	N/A
ISO 2852 DN51 (Tri-Clamp)	C05	66	-1 ... 40	-50 ... 250	-50 ... 400	N/A
Varivent® Type N	V02	70	-1 ... 16	-50 ... 250	-50 ... 400	N/A

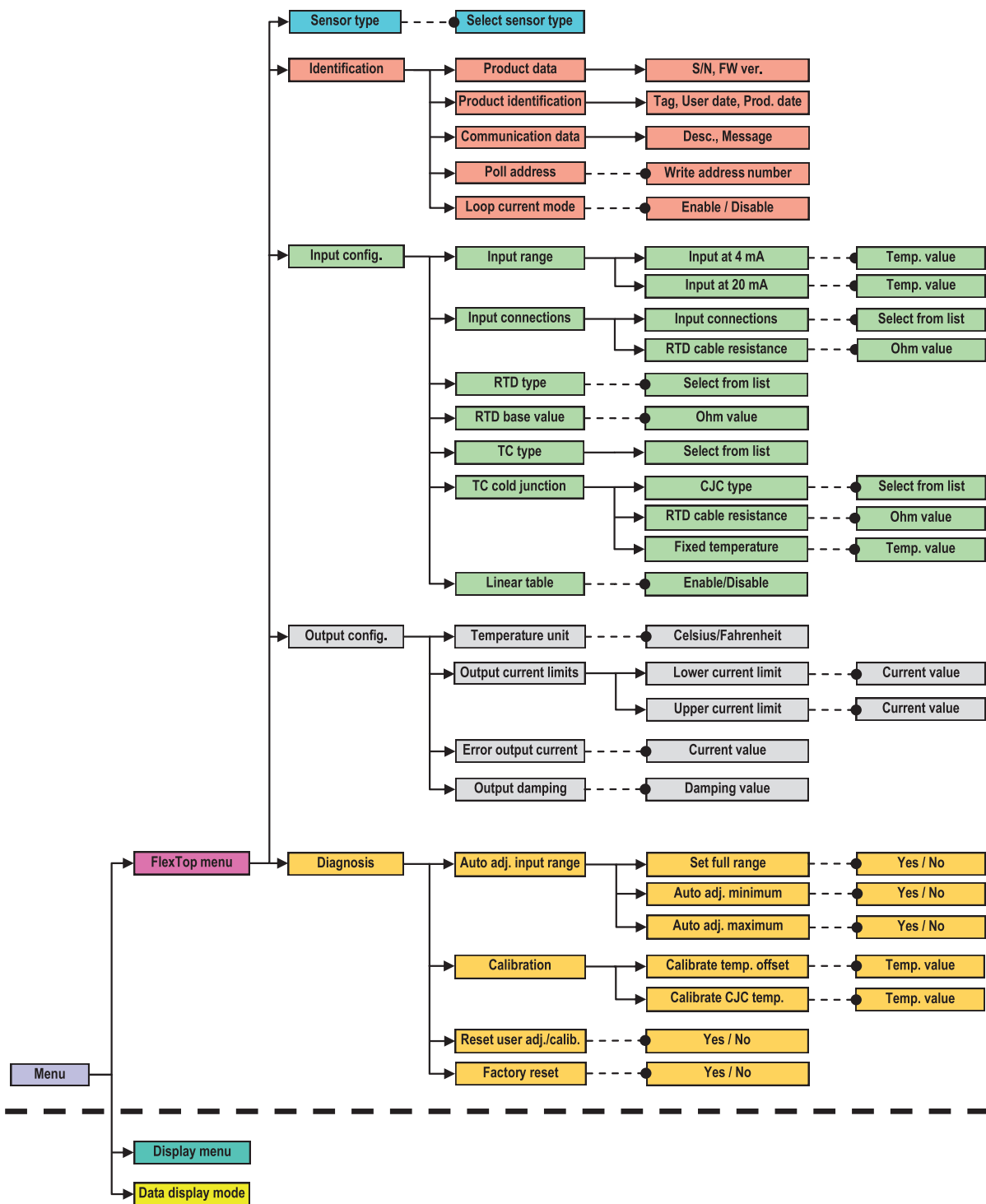
Process temperature

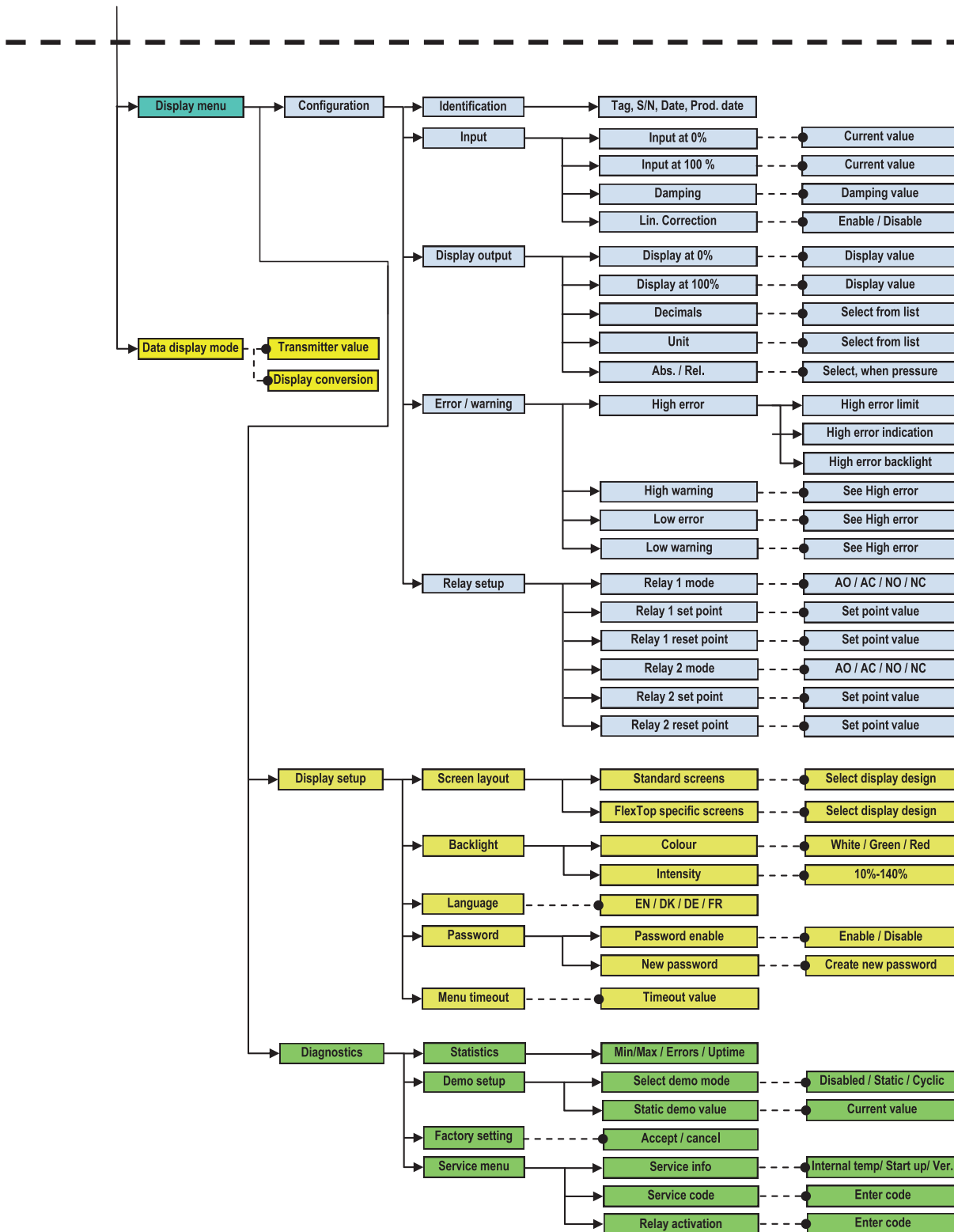


16. Configuration overview

DFON menu structure

The FlexTop menu point is only available with FlexTop 2212/2222.





Temperature measurement

CombiTemp™ TFRH/N

RTD temperature sensor

Inhaltsverzeichnis

1. Sicherheit	21	9. Konfiguration	32
2. Installation gemäß UL-Zulassung	21	10. Störungsbehebung	33
3. Aufbau und Funktion	22	11. Reinigung, Wartung und Reparatur	33
4. Symbole	22	12. Entsorgung	33
5. Transport und Lagerung	22	13. Zubehör	33
6. Montage	22	14. Technische Daten	34
7. Elektrischer Anschluss	26	15. Prozessbedingungen	35
8. Elektrischer Anschluss in explosionsgefährdeten Bereichen	30	16. Konfigurationsübersicht	36

1. Sicherheit

Bestimmungsgemäße Verwendung

Der Sensor dient zum Messen der Temperatur von Flüssigkeiten und Feststoffen im Bereich $-50 \dots 400 \text{ }^{\circ}\text{C}$.

Der Sensor darf nur für Medien eingesetzt werden, gegen die das Gehäusematerial und die Sensorspitze resistent sind.

Personalqualifikation

Setzen Sie nur Mitarbeiter ein, die zur Durchführung solcher Arbeiten ausgebildet wurden. Dies gilt insbesondere für Montage, Installation, Konfiguration und Störungsbehebung. Sicherstellen, dass das Personal diese Anleitung gelesen und verstanden hat.

Elektrischer Anschluss und EMV

Sämtliche elektrische Leitungen müssen die örtlichen Auflagen erfüllen und Verbindungen sind anhand des Verkabelungsdiagramms durchzuführen.

Technischer Zustand

Den Sensor nur dann benutzen, wenn er sich in einem einwandfreien technischen Zustand befindet.

Nur Zubehör von Baumer verwenden.

Für Zubehör anderer Hersteller übernimmt Baumer keine Haftung.

Betrieb

Die Stromversorgung und die Umgebungsbedingungen müssen die Gerätespezifizierungen erfüllen.

Bevor Sie das Gerät ein- und ausschalten, prüfen ob eventuelle Auswirkungen auf andere Geräte und das Prozessverfahren vorhanden sind.

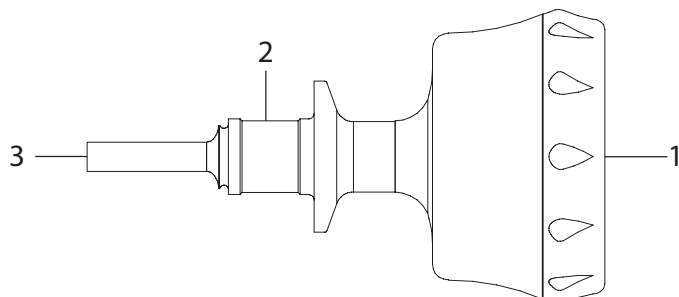
Verbrennungsgefahr bei heißen Medien

Das Gehäuse des Sensors kann sich im Betrieb auf über $50 \text{ }^{\circ}\text{C}$ erwärmen. Bei heißen Medien für Verbrennungsschutz sorgen.

2. Installation gemäß UL-Zulassung

1. Das Gerät ist nur zur Verwendung in Innenräumen zugelassen.
2. IP-Schutzarten werden von UL nicht bewertet.
3. Versorgungsspannung des Gerätes muss über externe Stromkreise der Klasse III sowie Anschluss der Relaiskontakte an externe Stromkreise mit eingeschränkter Energie erfolgen, die die Anforderungen der Kl. 9.4 der UL/CSA 61010-1 3rd ed. oder Klasse 2 der UL1310 erfüllen.
4. Es sind für die Anwendung geeignete, UL-zugelassene CYJV/7- oder PVVA/7 Kabel mit Spannungs-, Strom- und Temperaturwerten von mindestens 90°C zu verwenden.
5. Der durch das Gerät gebotene Schutz kann durch jegliche Verwendung des Gerätes ausserhalb der Herstellerspezifikation beeinträchtigt werden.
6. Das Gerät ist wartungsfrei, keine besonderen Anforderungen
7. Reinigung: mit einem weichen, trockenen Tuch, keine besonderen Anforderungen.
8. Betriebsumgebung: $-30^{\circ}\text{C} - 80^{\circ}\text{C}$ mit Display, $-40^{\circ}\text{C} - 85^{\circ}\text{C}$ ohne Display

3. Aufbau und Funktion




- 1 DFON-Display
- 2 Prozessanschluss
- 3 Sensorspitze

Der TFRH/N ist ein programmierbarer High-End-Temperatursensor basierend auf RTD-Technologie. Das Ausgangssignal ist ein Pt100-Signal, das bei integriertem Temperaturmessumformer in ein Ausgangssignal mit 4 ... 20 mA umgewandelt werden kann. Je nach Sensortyp sind Temperaturmessungen im Bereich $-50 \dots 400 \text{ }^{\circ}\text{C}$ möglich.

Die Programmierung kann über den Touchscreen oder über das FlexProgram erfolgen.

4. Symbole

4.1 Symbole in Warnhinweisen

Symbol	Signalwort	Erklärung
	GEFAHR	Bei Situationen, die zum Tod oder zu schweren Verletzungen führen.
	WARNUNG	Bei Situationen, die zum Tod oder zu schweren Verletzungen führen können.
	VORSICHT	Bei Situationen, die zu leichten oder mittelschweren Verletzungen führen können.
	ACHTUNG	Bei Sachschäden

4.2 Zulassungen



Die Anforderungen gemäss 3-A Sanitary Standard werden nur mit den entsprechenden Einbauteilen erfüllt. Diese sind mit dem 3-A-Logo gekennzeichnet.



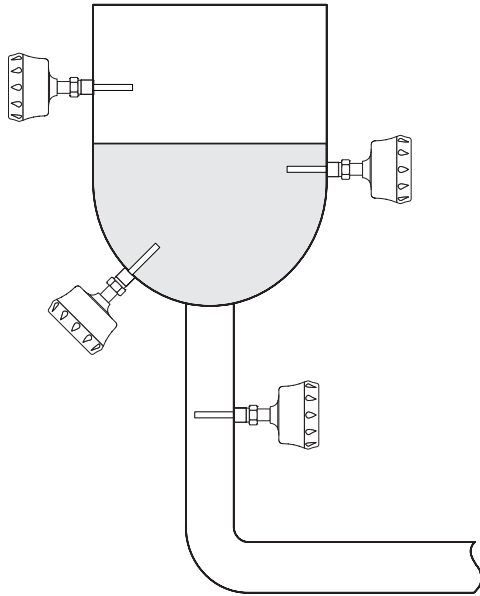
Bei Einbau gemäss Spezifikation für explosionsgefährdete Bereiche zugelassen.

5. Transport und Lagerung

- ▶ Verpackung und Sensor auf Beschädigungen prüfen.
- ▶ Bei Beschädigung: Sensor nicht verwenden.
- ▶ Den Sensor immer an einem stossicheren Ort aufbewahren.
Lagertemperaturbereich: $-40 \dots +85 \text{ }^{\circ}\text{C}$
Relative Luftfeuchtigkeit: $< 98 \%$

6. Montage

6.1 Montagebedingungen



Der Sensor kann an jedem beliebigen Punkt des Behälters oder der Rohrleitung angebracht werden.

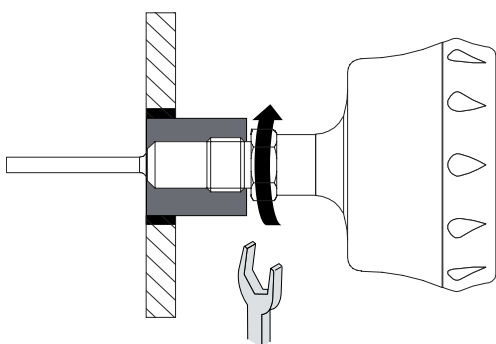
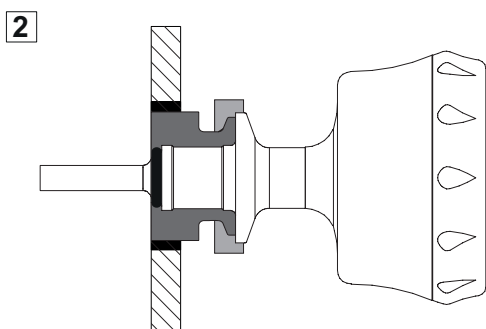
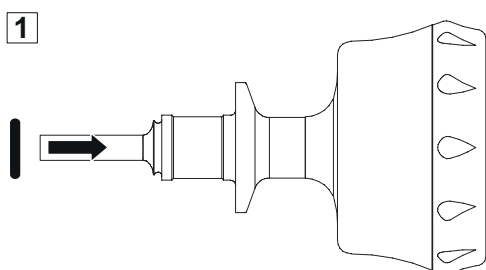
6.2 Montage des TFRH



GEFAHR

Verletzungsgefahr durch gefährliche Medien

- ▶ Nur Einschweissmuffen oder Adapter von Baumer verwenden.
- ▶ Schutzausrüstung zum Schutz vor gefährlichen Medien (z. B. Säuren, alkalische Lösungen) tragen.
- ▶ Die Prozessanschlüsse nicht mit Teflonband oder Elastomer abdichten.
- ▶ Vor der Montage den Behälter und die Rohrleitungen entleeren.



TFRH mit folgenden Prozessanschlüssen:

- 3A DN 38 (BHC)
- ISO 2852 DN 38 (Tri-Clamp)
- ISO 2852 DN 51 (Tri-Clamp)
- Varivent® Typ N

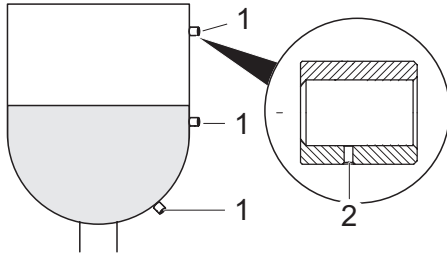
- ✓ Die Öffnung zur Montage des Sensors ist einfach zugänglich
- ✓ Behälter und Rohrleitung sind frei von Medien
- ▶ Einschweissmuffe oder Adapter wie folgt montieren:
 - 3-A Marke oder Pfeil zeigt nach oben
 - Leckagebohrung zeigt nach unten
 - Innen frontbündige Ausrichtung
- ▶ Schweißnaht auf $Ra \leq 0,8 \mu m$ glätten.
- ▶ Dichtring aufdrücken (1).
- ▶ Sensor am Behälter bzw. Rohr montieren und die Verschlussklammer festziehen (2).
- ▶ Dichtigkeit überprüfen.

TFRH mit folgenden Prozessanschlüssen:

- G 1/2 A hygienegerecht

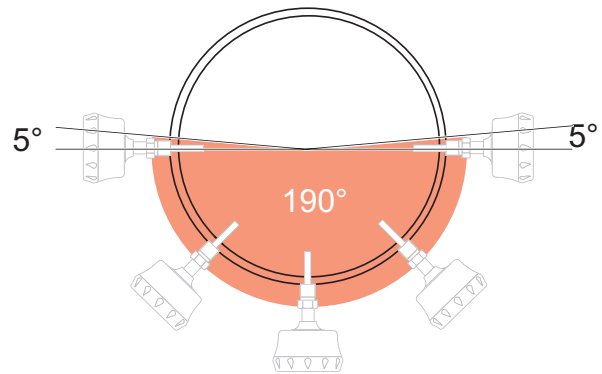
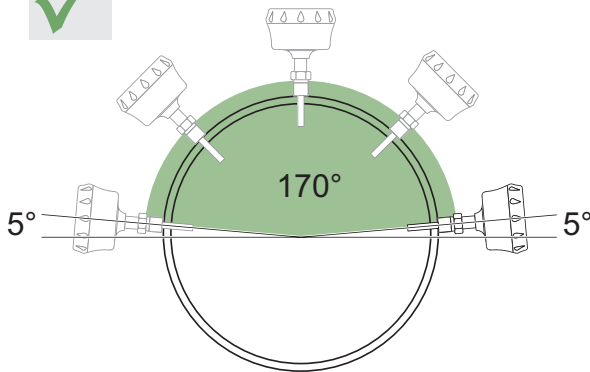
- ✓ Die Öffnung zur Montage des Sensors ist einfach zugänglich
- ✓ Behälter und Rohrleitung sind frei von Medien
- ▶ Einschweissmuffe oder Adapter wie folgt montieren:
 - 3-A Marke oder Pfeil zeigt nach oben
 - Leckagebohrung zeigt nach unten
 - Innen frontbündige Ausrichtung
- ▶ Schweißnaht auf $Ra \leq 0,8 \mu m$ glätten.
- ▶ Sensor einschrauben.
Anzugsmoment: 20 Nm
- ▶ Dichtigkeit überprüfen.

Montagebeispiel mit Einschweissmuffe ZPW3-321



- 1 ZPW3-321
- 2 Leckagebohrung

Montagebeispiel mit Einschweissmuffe ZPW2-326



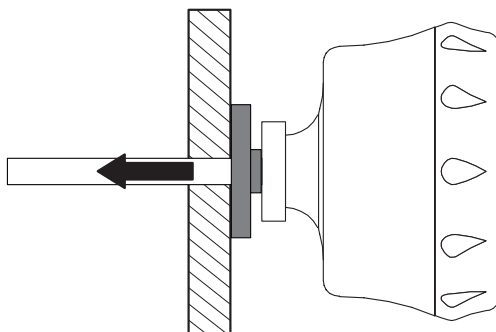
6.3 Montage des TFRN



GEFAHR

Verletzungsgefahr durch gefährliche Medien

- ▶ Schutzausrüstung zum Schutz vor gefährlichen Medien (z. B. Säuren, alkalische Lösungen) tragen.
- ▶ Vor der Montage den Behälter und die Rohrleitungen entleeren.

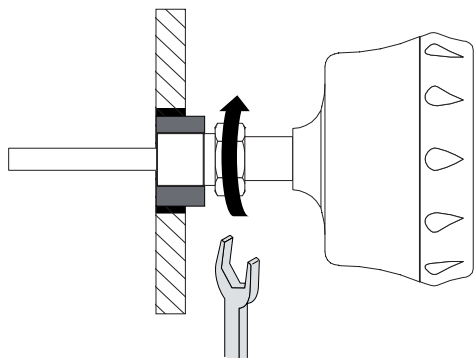


TFRN ohne Anschluss

Es gibt verschiedene Montageoptionen, je nach Durchmesser der Sensorspitze:

- 6 mm: Klemmverschraubung
- 8 mm: Klemmverschraubung oder Lüftungskanal-Montageflansch

- ✓ Behälter und Rohrleitung sind frei von Medien
- ▶ Verschraubung bzw. Montageflansch am Behälter, Rohr bzw. Lüftungskanal anschrauben.
- ▶ Sensor in der Verschraubung bzw. im Flansch montieren.
- ▶ Darauf achten, dass die Verbindung fest sitzt.

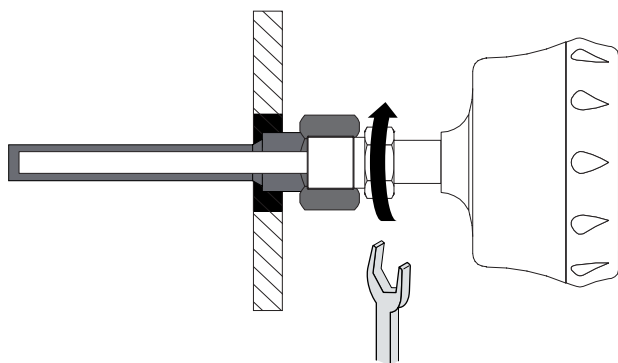
**TFRN mit folgenden Prozessanschlüssen:**

- G 1/2 A DIN 3852-E
- G 1/2 A DIN 3852-A
- R 1/2 ISO 7/1
- 1/2-14 NPT

- ✓ Behälter und Rohrleitung sind frei von Medien
- ▶ Das Sensorgewinde mit Teflonband (PTFE) abdichten, wenn der Anschluss keinen Dichtring umfasst.
- ▶ Sensor einschrauben.
Anzugsmoment: 20 Nm
- ▶ Dichtigkeit überprüfen.

Montage mit einer Tauchhülse

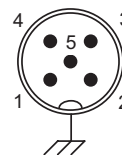
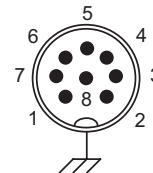
Der TFRN mit G 1/2 A-Anschluss kann in einer Tauchhülse vom Typ ZPT4 von Baumer montiert werden.



- ✓ Behälter und Rohrleitung sind frei von Medien
- ▶ Das Gewinde mit Teflonband (PTFE) an der Tauchhülse abdichten, wenn keine Dichtung angebracht ist.
- ▶ Die Tauchhülse einschrauben bzw. die Verschlussklammer festziehen.
- ▶ Den Sensor in die Tauchhülse einschrauben.
Anzugsmoment: 20 Nm
- ▶ Darauf achten, dass die Verbindung fest sitzt.

7. Elektrischer Anschluss**7.1 Externe Anschlüsse**

- ✓ Je nach Sender ist eine Spannungsversorgung von 8 ... 35 oder 7 ... 40 V DC vorgesehen, siehe Abschnitt 14.2.
(bei der DFON-Anzeige beträgt die Mindestspannung 11/12 V DC oder 13,5/14,5 V DC, je nach Intensität des Hintergrundes)
- ▶ Betriebsspannung ausschalten.
- ▶ Den Sensor in Übereinstimmung mit der Pin-Zuweisung anschliessen.

M12, 5-Pin**M12, 8-Pin**

Steckverbindung-Version	Ausgang	Schaltbild	Pin	Funktion
M12, 5-Pin	Pt100 (Einzelement)		1, 2	Pt100 11
			3, 4	Pt100 12
			5	N.C.
M12, 5-Pin	Pt100 (Doppelement)		1	Pt100 11
			2	Pt100 12
			3	Pt100 21
			4	Pt100 22
			5	N.C.
M12, 5-Pin	4 ... 20 mA (2-Leiter)		1	+Vs
			2	Gemeinsamer Anschluss für Relais 11, 21
			3	lout
			4	Relais 22
			5	Relais 12
M12, 8-Pin	4 ... 20 mA (2-Leiter)		1	N.C.
			2	+Vs
			3	Relais 21
			4	Relais 22
			5	Relais 11
			6	Relais 12
			7	lout
			8	N.C.

Wenn keine gemeinsame Versorgung für beide Relais verwendet wird, ist ein 8-Pin M12-Stecker erforderlich.

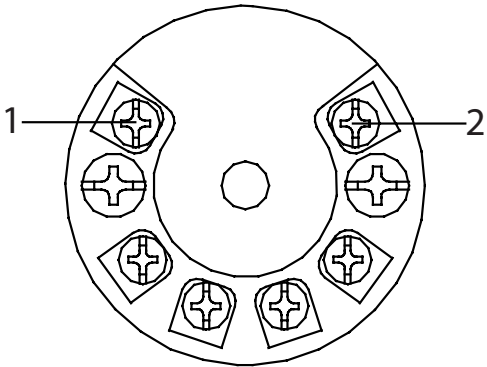
Elektrischer Anschluss mit Kabelverschraubung

- ✓ Sensor ist montiert
- ▶ Kabelverschraubung einschrauben.
Verschraubung M16 oder Kunststoffverschraubung M20 mit 2...2,5 Nm anziehen.
Stahlverschraubung M20 mit 2,5...3 Nm anziehen.

Steckverbindung-Version	Kabeldurchmesser
M16 Kunststoff	5 ... 10 mm
M16 Edelstahl	5 ... 9 mm
M20 Kunststoff	8 ... 13 mm
M20 Edelstahl	9 ... 13 mm

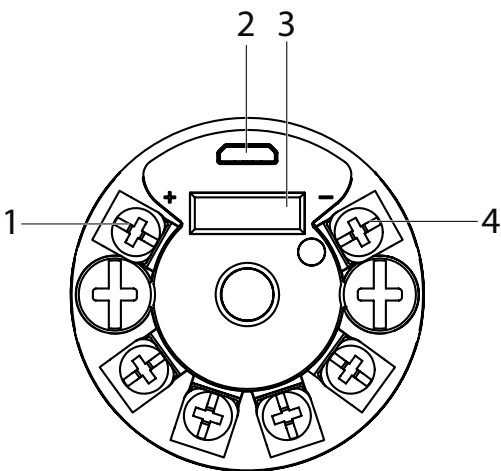
7.2 Interne Anschlüsse

Anschluss an FlexTop™ 2202



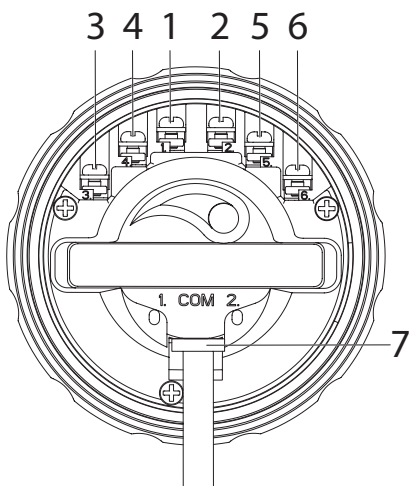
- 1 +Vs
- 2 Iout

Anschluss an FlexTop™ 2212/2222



- 1 +Vs
- 2 USB
- 3 UnitCom (Flachbandkabel)
- 4 Iout

Anschluss an DFON-Display



- 1 Iin (N.C. bei Verwendung von FlexTop 2212/2222)
- 2 Iout (N.C. bei Verwendung von FlexTop 2212/2222)
- 3 Relais 21
- 4 Relais 22
- 5 Relais 11
- 6 Relais 12
- 7 UnitCom (Flachbandkabel)

7.3 Montage des DFON-Displays



ACHTUNG

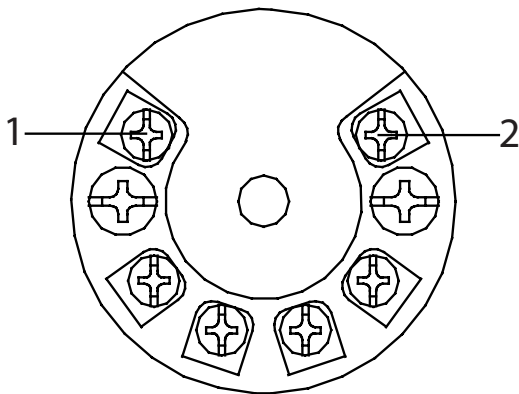
Beschädigung von Frontdeckel und -ring

- ▶ Zu Montage des Frontdeckels und des Schraubings keine Werkzeuge verwenden.

- ▶ Frontdeckel abschrauben.
- ▶ O-Ring aus der Dichtnut herausnehmen.
- ▶ DFON-Display am FlexTop anschliessen.
 - FlexTop 2202: Entsprechend Pinbelegung.
 - FlexTop 2212/2222: Mit internem UnitCom-Kabel.
- ▶ Schraubring mit der Hand festziehen.

7.4 Anschluss des FlexProgrammer

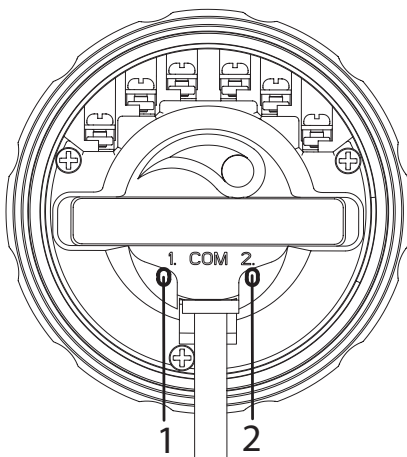
Anschluss an FlexTop™ 2202



- 1 Com 1
- 2 Com 2

- ▶ Gehäusedeckel abschrauben.
- ▶ Die rote Klemme an Com 1 anschliessen.
- ▶ Die schwarze Klemme an Com 2 anschliessen.

Anschluss an DFON-Display



- 1 Com 1
- 2 Com 2

- ▶ Gehäusedeckel abschrauben.
- ▶ Die rote Klemme an Com 1 anschliessen.
- ▶ Die schwarze Klemme an Com 2 anschliessen.

CombiTemp™ TFRH/N

RTD Temperatursensor

8. Elektrischer Anschluss in explosionsgefährdeten Bereichen



GEFAHR

Lebensgefahr durch einen falsch angeschlossenen Sensor

Der korrekte Gas- und Staubschutz wird nur erreicht, wenn alle Installationsanforderungen erfüllt sind.

- ▶ Sorgen Sie dafür, dass alle Anforderungen erfüllt sind und dass Sensor und Installation eine gültige Zulassung für die spezifische explosionsfähige Atmosphäre haben.
- ▶ Die Installation darf nur durch Fachkräfte, die im Explosionsschutz geschult sind, ausgeführt werden.
- ▶ Den FlexProgrammer niemals in explosionsgefährdeten Bereichen einsetzen.

8.1 Explosionsfähige Gasatmosphären Zone 0, 1 und 2

Der TFRH/N ist mit einem integrierten FlexTop™ 22xx -Messumformer für die Verwendung in explosionsgefährdeten Bereichen der Zone 0, 1 und 2 geeignet. Sensoren sind mit Zenerbarrieren zu installieren. Wenn der elektrostatisch ableitende Film auf der Displayabdeckung beschädigt wird, stellen Sie die Verwendung in Zone 0 ein.

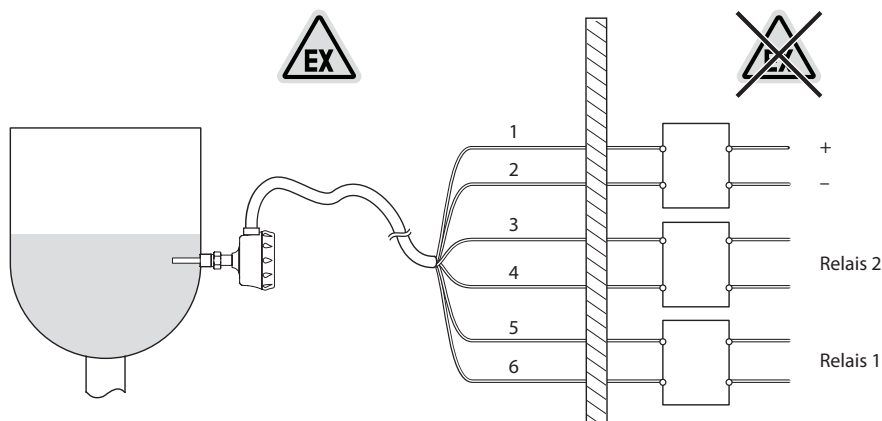
Zulassung für TFRH/N-xxxx.x1xx.xxxx.xxxx: ATEX II 1G/IECEx Ex ia IIC T6...T4

Alle TFRH/N haben die Zündschutzart Eigensicherheit ia.

- ▶ Zenerbarrieren verwenden.
- ▶ Wenn Relais aktiviert sind, jedes Relais durch eine separate Zenerbarriere schützen oder eine Barriere mit mehreren Kanälen verwenden.
- ▶ Die folgenden Temperaturen und Anschlusswerte für den jeweiligen Messumformertyp einhalten.

Ex ia IIC T5 Ga

	Mit DFON-Anzeige	Ohne Anzeige	
FlexTop™ 2202	Ci: 25 nF Li: 20 µH T5: $-20 \leq T_{amb} \leq +60 \text{ °C}$ T4: $-20 \leq T_{amb} \leq +65 \text{ °C}$	Ci: 25 nF Li: 20 µH T5: $-20 \leq T_{amb} \leq +60 \text{ °C}$ T4: $-20 \leq T_{amb} \leq +65 \text{ °C}$	Ui: 28 V DC Ii: 100 mA Pi: 700 mW
FlexTop™ 2212, 2222	Ci: 26 nF Li: 34 µH T5: $-20 \leq T_{amb} \leq +60 \text{ °C}$ T4: $-20 \leq T_{amb} \leq +65 \text{ °C}$	Ci: 11 nF Li: 24 µH T5: $-20 \leq T_{amb} \leq +60 \text{ °C}$ T4: $-20 \leq T_{amb} \leq +65 \text{ °C}$	Ui: 30 V DC Ii: 95 mA Pi: 750 mW
Relaisausgänge	Ci: 10 nF Li: 10 µH T5: $-20 \leq T_{amb} \leq +60 \text{ °C}$ T4: $-20 \leq T_{amb} \leq +65 \text{ °C}$	N/A	Ui: 30 V DC Ii: 75 mA Pi: 750 mW



Funktion	Pin
+Vs	1
lout	2
Relais 21	3
Relais 22	4
Relais 11	5
Relais 12	6

8.2 Explosionsfähige Gasatmosphären Zone 2

Der TFRH/N ist für die Verwendung in explosionsgefährdeten Bereichen der Zone 2 ohne Zenerbarrieren geeignet.

Zulassung für TFRH/N-xxxx.x3xx.xxxx.xxxx.xxxx: ATEX II 3 G Ex ec IIC T5...T4

Alle TFRH/N haben die Zündschutzart ec.

- ▶ Die folgenden Temperaturen und Anschlusswerte einhalten.

Ex ec II T4/T5

Versorgungsbereich	Un: 30 V DC max. In: 20 mA
Temperaturklasse	<ul style="list-style-type: none"> ■ Mit Display: T4: $-20 < T_{amb} < 70^{\circ}\text{C}$ T5: $-20 < T_{amb} < 60^{\circ}\text{C}$ ■ Ohne Display: T5: $-40 < T_{amb} < 80^{\circ}\text{C}$

8.3 Einfaches elektrisches Gerät (kein Display, kein Messumformer)

Der TFRH/N ohne Messumformer (Pt100-Ausgang) und ohne Display ist für die Verwendung in explosionsgefährdeten Bereichen der Zone 0, 1 und 2 geeignet. Für alle Zonen müssen Zenerbarrieren verwendet werden.

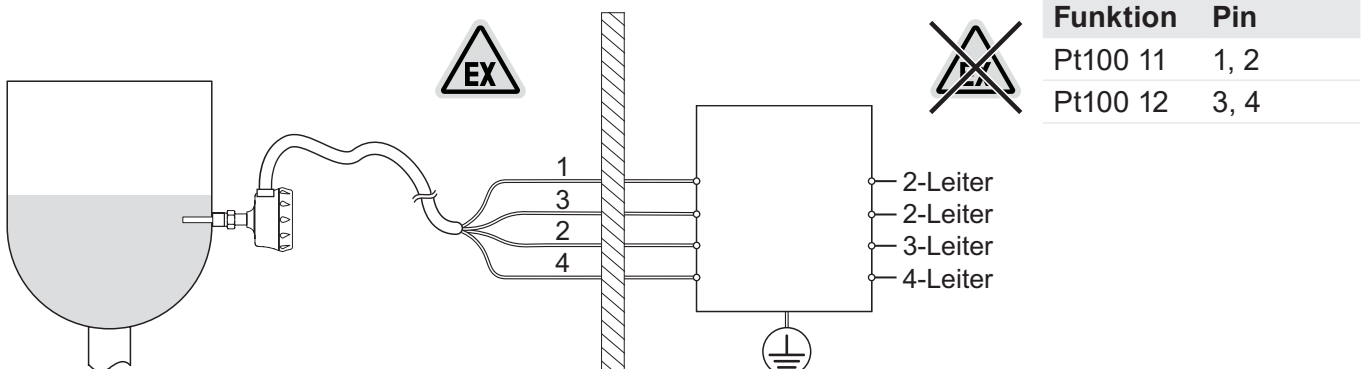
Zulassung für TFRH/N-xxxx.x9xx.xxxx.xxxx.xxxx: Ex ia einfaches elektrisches Gerät Da / Gc

Für alle TFRH/N in Zone 0, Zone1 und Zone 2

- ▶ Zenerbarriere verwenden.
- ▶ Die folgenden Temperaturen, Anschlusswerte und Schaltbilder einhalten.

Ex ia einfaches elektrisches Gerät (IEC 60079-11)

Grenzwerte	Ui: 15 V DC Ii: 50 mA Pi: 25 mW Li: 0 μH Ci: 0 nF
Temperaturklasse	<ul style="list-style-type: none"> ■ T1 ... T5: $-40 \leq T_{amb} \leq 85^{\circ}\text{C}$ ■ T6: $-40 \leq T_{amb} \leq 55^{\circ}\text{C}$ ■ T135 $^{\circ}\text{C}$: $-40 \leq T_{amb} \leq 85^{\circ}\text{C}$



9. Konfiguration

9.1 Konfiguration über den DFON-Touchscreen

- ▶ Auf den Touchscreen tippen und halten bis die Menüschaftfläche erscheint.
- ▶ Auf Menü tippen, um die Konfiguration zu starten.

Beispiel

- ▶ Konfigurieren der Anzeigeaufteilung.



Weitere mögliche Einstellungen:

- Relais
- Warnungs- und Fehleranzeige
- Bildschirm-Layout
- Farbe
- Sprache

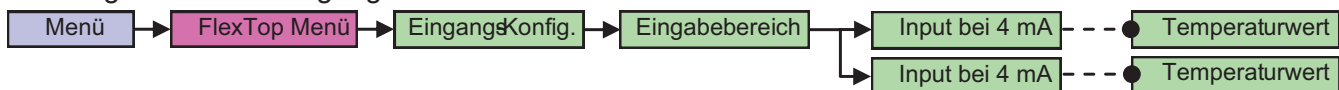
9.2 Konfiguration des Messumformers über den DFON-Touchscreen

Beim TFRH/N mit montiertem FlexTop™ 2212- oder FlexTop™ 2222-Messumformer lassen sich weitere Konfigurationen über den DFON-Touchscreen programmieren.

- ▶ Auf die Displayanzeige tippen und halten bis die Menüschaftfläche erscheint.
- ▶ Auf Menü tippen, um die Konfiguration zu starten.

Beispiel

- ▶ Konfigurieren des Eingangsbereichs.



- ▶ Konfigurieren des Dämpfungsbereichs.



Weitere mögliche Einstellungen:

- Sensortyp
- Temperatureinheit
- Ausgangsbegrenzung
- Sensor-Offset

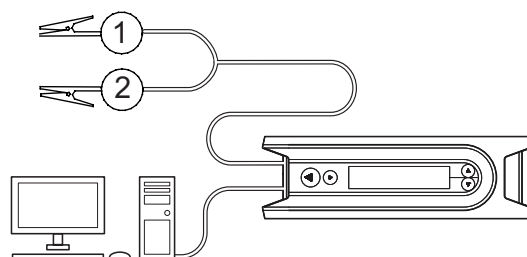
9.3 Konfiguration über FlexProgrammer

GEFAHR
 Der FlexProgrammer ist nicht für den Einsatz in explosionsfähigen Atmosphären nach ATEX zugelassen.

- ▶ Den FlexProgrammer niemals in explosionsgefährdeten Bereichen einsetzen.

Konfiguration mit FlexProgrammer und PC

- ▶ Den Frontdeckel/das DFON-Display vom TFRH/N abschrauben.
- ▶ Den FlexProgrammer an den FlexTop 2202 anschliessen.
- ▶ Den FlexProgrammer an den PC anschliessen und die Parameter einstellen (siehe FlexProgrammer-Anleitung).



Konfiguration mit USB-Kabel und PC

- ▶ Den Frontdeckel/das DFON-Display vom TFRH/N abschrauben.
- ▶ Den FlexTop 22x2 direkt mit einem Micro-B-USB-Kabel an den PC anschliessen und die Parameter einstellen.

Konfiguration in explosionsfähiger Atmosphäre

- ✓ Stromversorgung ist aus
- ▶ Den TFRH/N vom Kreislauf trennen.
- ▶ Den TFRH/N ausbauen und in einen sicheren Bereich (ausserhalb der explosionsfähigen Atmosphäre) bringen.
- ▶ Konfiguration vornehmen.

Optionen mit FlexProgram

- Sensortyp
- Temperatureinheit
- Temperaturbereich
- Ausgangsbegrenzung
- Dämpfung
- Datenerfassung
- Sensor-Offset
- Automatische Leitungskompensation

10. Störungsbehebung

Störung	Ursache	Massnahme
Das Display ist aus und es wird kein Signal vom Messumformer übermittelt	Sensor nicht korrekt angeschlossen Gerätefehler	▶ Stecker und Stromversorgung prüfen. ▶ Den Sensor ausbauen und an Baumer senden.
Das Display ist ein, es wird aber kein Signal vom Messumformer übermittelt	Kurzschluss	▶ Kurzschluss beheben.
Das Display ist aus, es wird jedoch ein Signal vom Messumformer übermittelt	Das UnitCom-Kabel ist nicht angeschlossen.	▶ Das Display und den Messumformer mit dem UnitCom-Kabel verbinden.
Das Display zeigt nicht die richtigen Werte an	Unpassender Temperaturbereich.	▶ Endwerte-Bereich überprüfen.

11. Reinigung, Wartung und Reparatur

Reinigen

- ▶ Sensor bei Bedarf reinigen, desinfizieren oder sterilisieren (CIP/SIP).

Reparatur

- Den Sensor nicht selbst reparieren.
- ▶ Beschädigten Sensor an Baumer senden.

Wartung

Eine regelmässige Wartung ist nicht erforderlich.

12. Entsorgung



- ▶ Nicht im Hausmüll entsorgen.
- ▶ Materialien trennen und entsprechend den national geltenden Vorschriften entsorgen.

13. Zubehör

Für Montageteile und weiteres Zubehör siehe www.baumer.com.

14. Technische Daten

14.1 Sensor

Umgebungsbedingungen		Sensorelement, Pt100 DIN EN 60751		
Prozessdruck	Siehe „Prozessbedingungen“	1/1 DIN Klasse B	$\pm (0,3 + 0,005 \times t) \text{ } ^\circ\text{C}$	
		1/3 DIN Klasse B	$\pm 1/3 \times (0,3 + 0,005 \times t) \text{ } ^\circ\text{C}$	
		1/6 DIN Klasse B	$\pm 1/6 \times (0,3 + 0,005 \times t) \text{ } ^\circ\text{C}$	
		1/1 DIN Klasse A	$\pm (0,15 + 0,002 \times t) \text{ } ^\circ\text{C}$	
		Ansprechzeit T50		
		Sensor- durchmesser	Flüssigkeit 0,4 m/s	Luft 3 m/s
Umgebungstemperaturbereich	<ul style="list-style-type: none"> ■ $-40 \dots 160 \text{ } ^\circ\text{C}$ ■ $-40 \dots 85 \text{ } ^\circ\text{C}$ (mit Messumformer) ■ $-30 \dots 80 \text{ } ^\circ\text{C}$ (mit Display) 	6 mm	< 6,1 s	< 27,2 s
Feuchtigkeit	< 98 %, kondensierend	6/4 mm	< 1,5 s	< 21,4 s
Schutzart	<ul style="list-style-type: none"> ■ IP67 ■ IP69K (mit einem geeigneten Kabel) 	8 mm	< 7,6 s	< 47,7 s
Schwingungen (sinusförmig) (IEC 60068-2-6)	<ul style="list-style-type: none"> ■ 1,6 mm p-p (2 ... 25 Hz), 4 g (25 ... 100 Hz), 1 Oktave/min. 	8/4 mm	< 1,5 s	< 33,6 s
Prozesstemperatur	Siehe „Prozessbedingungen“			
Gewicht (ca.)	0,8 kg, abhängig von der Produktkonfiguration			

14.2 Messumformer

FlexTop® 2202 – Standard		FlexTop® 2212 und 2222	
Eingang	Pt100	Eingang	Pt100
Ausgang	4 ... 20 mA	Ausgang	<ul style="list-style-type: none"> ■ 2212: 4 ... 20 mA ■ 2222: 4 ... 20 mA/HART
Genauigkeit	Eingang: < $\pm 0,25 \text{ } ^\circ\text{C}$ Ausgang: < $\pm 0,1 \text{ } \%$ der Ausgangsspanne	Genauigkeit	Eingang: < $\pm 0,06 \text{ } ^\circ\text{C}$ Ausgang: < $\pm 0,025 \text{ } \%$ der Ausgangsspanne
Messbereich	$-200 \dots 850 \text{ } ^\circ\text{C}$ (programmierbar) Kleinste Spanne: $25 \text{ } ^\circ\text{C}$	Messbereich	$-200 \dots 850 \text{ } ^\circ\text{C}$ (programmierbar) Kleinste Spanne: $10 \text{ } ^\circ\text{C}$
Betriebsspannungsbereich	8 ... 35 V DC ohne DFON-Display 14,5 ... 35 V DC mit DFON-Display	Betriebsspannungsbereich	7 ... 40 V DC ohne DFON-Display 13,5 ... 40 V DC mit DFON-Display
Programmierbarkeit	FlexProgrammer 9701	Programmierbarkeit:	
Werkseinstellungen:		<ul style="list-style-type: none"> ■ FlexTop® 2212 ■ FlexTop® 2222 	PC mit FlexProgram PC mit FlexProgram / HART-Terminal
<ul style="list-style-type: none"> ■ Ausgangsbereich ■ Anschluss ■ Dämpfung ■ Ausgabe bei Sensorfehler 	0 ... $120 \text{ } ^\circ\text{C}$ 2-Leiter 0 s Upscale 23 mA	<ul style="list-style-type: none"> ■ Ausgangsbereich ■ Anschluss ■ Dämpfung ■ Ausgabe bei Sensorfehler 	0 ... $100 \text{ } ^\circ\text{C}$ 2-Leiter 0 s Upscale 23 mA

15. Prozessbedingungen

Prozessanschluss	BCID	Bestell- schlüssel	Prozess- druck [bar]	Prozesstem- peratur, Stan- dard [°C]	Prozesstem- peratur, mit Kühlstrecke [°C]	Prozesstem- peratur, mit Kühlstrecke und Distanz- stück
				Tamb = 20 °C	Tamb = 20 °C	Tamb = 60 °C

TFRN

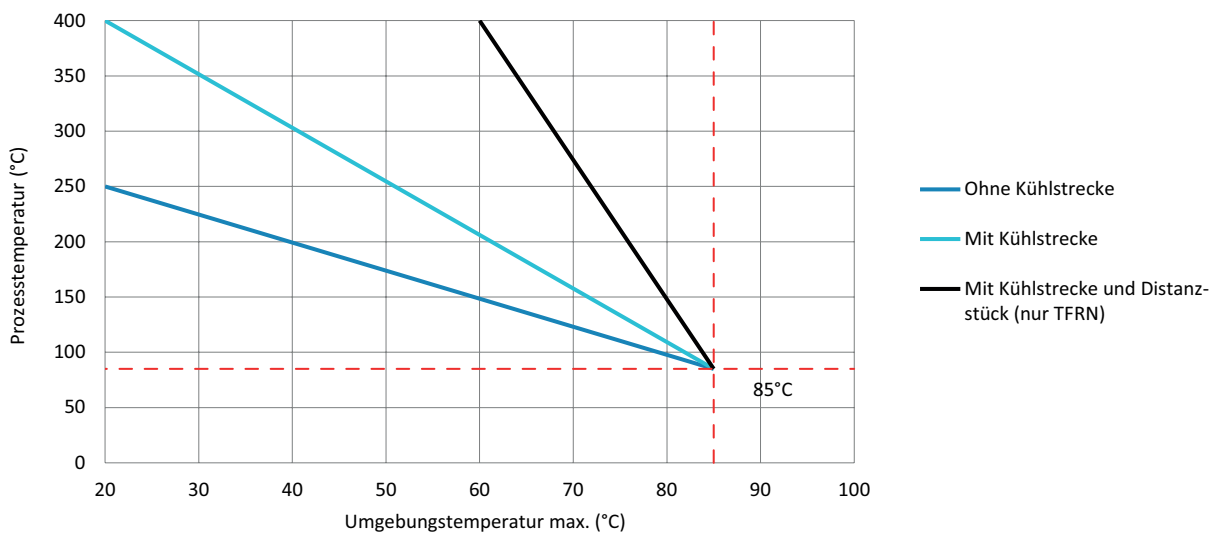
Schutzhülse Ø6	T65	10	-1 ... 40	-50 ... 250	-50 ... 400	-50 ... 400
G 1/2 A DIN 3852-E	G51	11	-1 ... 100	-50 ... 250	-50 ... 400	-50 ... 400
G 1/2 A DIN 3852-A	G44	12	-1 ... 100	-50 ... 250	-50 ... 400	-50 ... 400
R 1/2 ISO 7/1	R01	13	-1 ... 100	-50 ... 250	-50 ... 400	-50 ... 400
1/2-14 NPT	N02	30	-1 ... 100	-50 ... 250	-50 ... 400	-50 ... 400

TFRH

G 1/2 A hygienerecht	A03	51	-1 ... 100	-50 ... 250	-50 ... 400	n. z.
BHC 3A DN 38	B01	60	-1 ... 40	-50 ... 250	-50 ... 400	n. z.
ISO 2852 DN38 (Tri-Clamp)	C04	65	-1 ... 40	-50 ... 250	-50 ... 400	n. z.
ISO 2852 DN51 (Tri-Clamp)	C05	66	-1 ... 40	-50 ... 250	-50 ... 400	n. z.
Varivent® Typ N	V02	70	-1 ... 16	-50 ... 250	-50 ... 400	n. z.

15.1 Prozesstemperatur

Prozesstemperatur



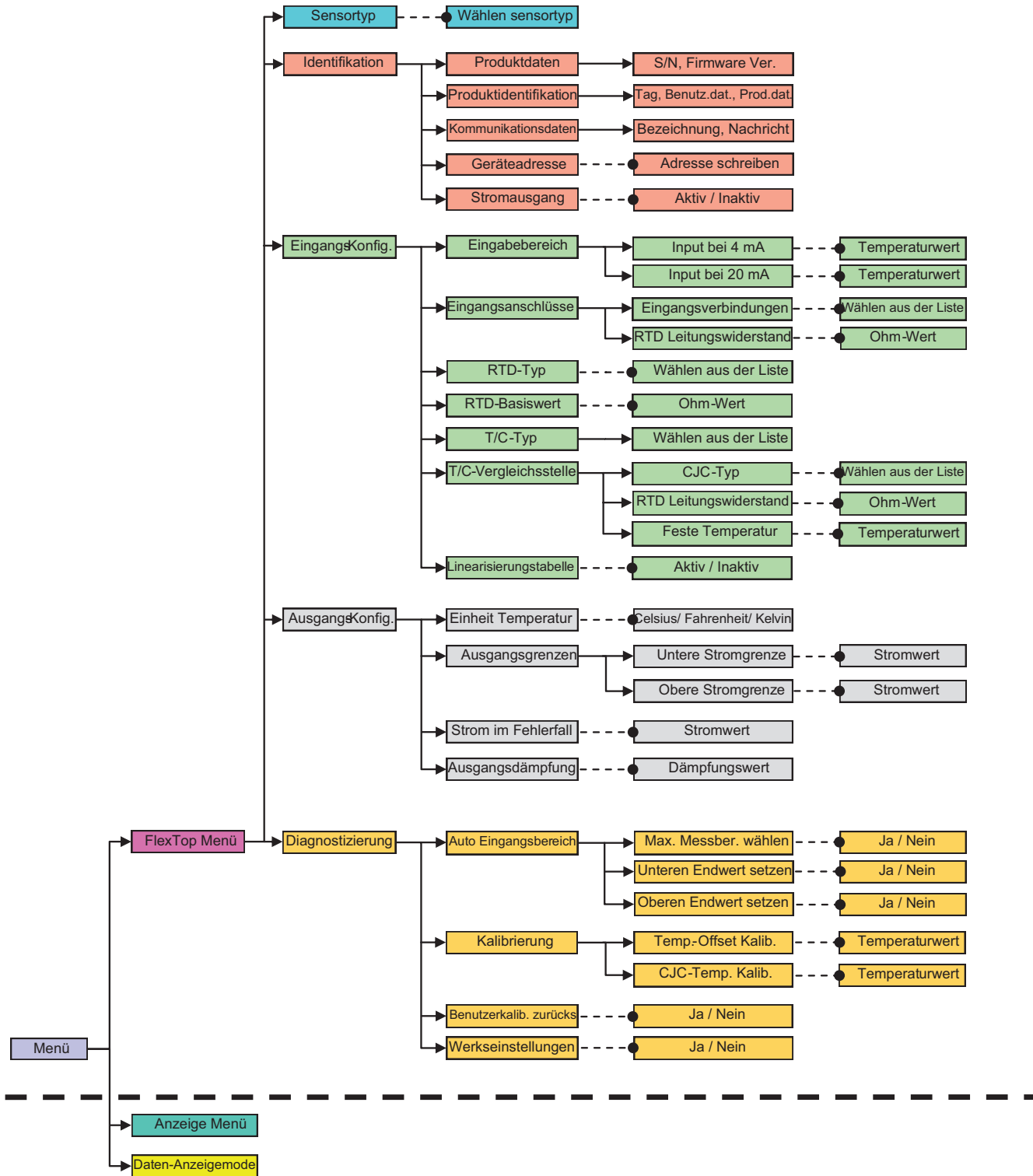
CombiTemp™ TFRH/N

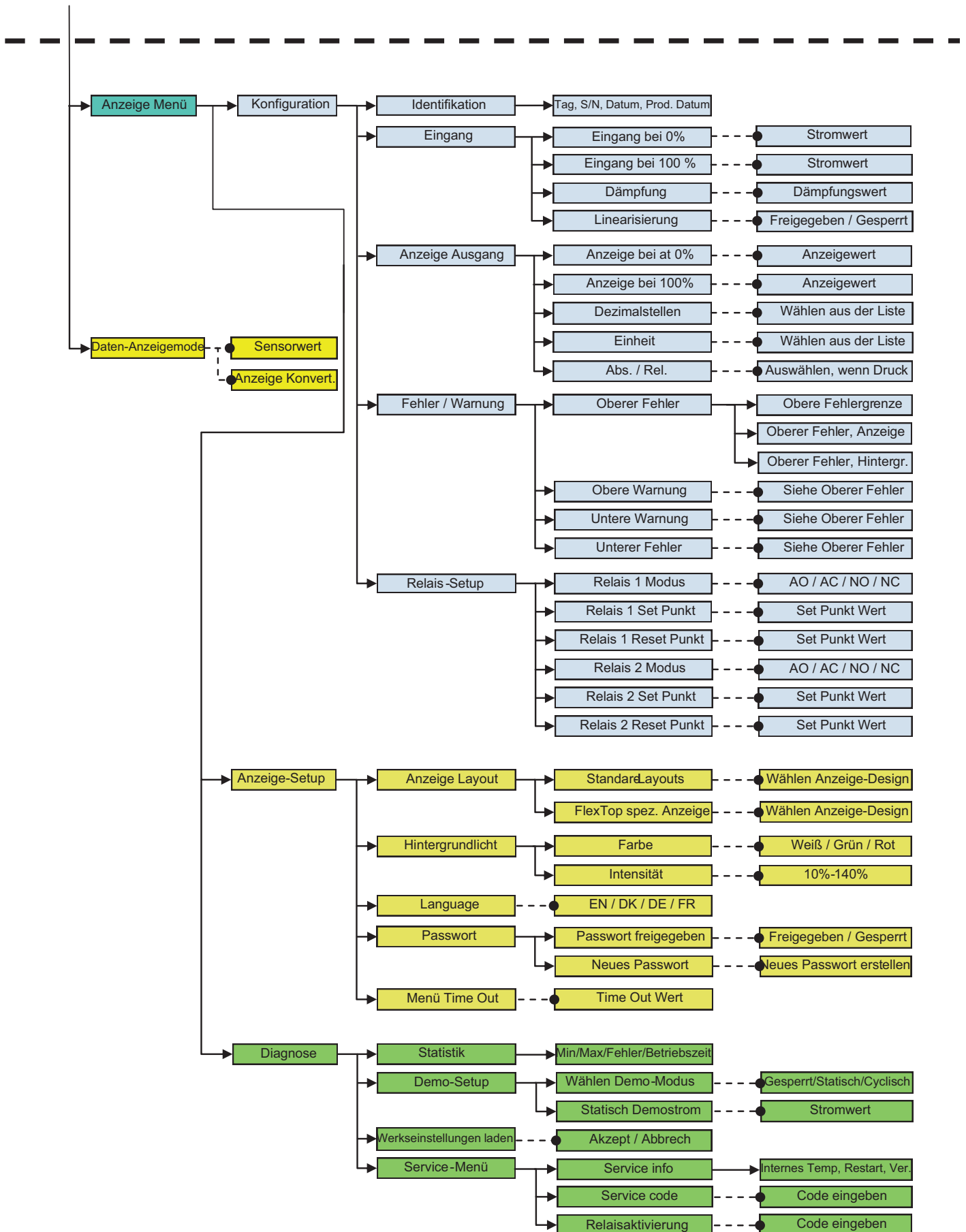
RTD Temperatursensor

16. Konfigurationsübersicht

DFON-Menüstruktur

Der FlexTop-Menüpunkt steht nur bei Verwendung mit FlexTop 2212/2222 zur Verfügung.





Temperaturmessung

CombiTemp™ TFRH/N

RTD Temperatursensor

Sommaire

1. Sécurité.....	39	9. Configuration.....	50
2. Installation conforme à l'homologation UL.....	39	10. Dépannage.....	51
3. Structure et fonctionnement.....	40	11. Nettoyage, maintenance et réparation.....	51
4. Symbols.....	40	12. Elimination.....	51
5. Transport et stockage.....	40	13. Accessoires.....	51
6. Montage.....	41	14. Caractéristiques techniques.....	52
7. Branchement électrique.....	44	15. Conditions de process.....	53
8. Branchement électrique dans des zones à risques d'explosion.....	48	16. Vue d'ensemble de la configuration.....	54

1. Sécurité

Utilisation conforme

Le capteur sert à mesurer la température des liquides et des solides dans la plage de -50 à 400 °C.

Le capteur doit servir uniquement pour des médias auxquels le matériau du boîtier et la pointe du capteur sont résistants.

Qualification du personnel

N'employer que des collaborateurs formés pour effectuer ce type d'interventions. Cela vaut particulièrement pour le montage, l'installation, la configuration et le dépannage.

S'assurer que le personnel a lu et compris la présente notice.

Branchement électrique et CEM

Tous les câbles électriques doivent être conformes aux prescriptions locales et les connexions sont à effectuer en suivant le schéma de câblage.

Etat technique

N'utiliser le capteur que s'il se trouve dans un parfait état technique.

Utiliser exclusivement des accessoires Baumer. Baumer ne pourra être tenu responsable en cas d'utilisation d'accessoires d'autres marques.

Fonctionnement

L'alimentation en courant et les conditions environnementales doivent être conformes aux spécifications de l'appareil.

Avant d'allumer et d'éteindre l'appareil, vérifier les éventuels effets sur d'autres appareils et sur le processus.

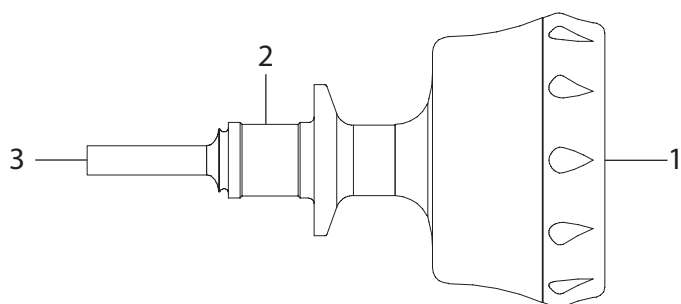
Risque de brûlure avec les médias chauds

Le boîtier du capteur peut chauffer au-delà de 50 °C en fonctionnement. Lorsque les médias sont chauds, prévoir une protection contre les brûlures.

2. Installation conforme à l'homologation UL

1. L'appareil est uniquement approuvé pour une utilisation à l'intérieur.
2. Les indices IP ne sont pas évalués par UL.
3. L'appareil doit être alimenté par des circuits externes de classe III et il faut connecter les contacts de relais à des circuits externes d'énergie limitée conformes aux exigences de l'article 9.4 de UL/CSA 61010-1 3rd ed. ou de la classe 2 de UL1310.
4. Il faut utiliser des câbles CYJV/7 ou PVVA/7 homologués UL dont la tension, le courant et la température nominale sont d'au moins 90 degrés Celsius et qui conviennent à l'application.
5. Toute utilisation de l'appareil d'une manière non spécifiée par le fabricant peut entraîner une dégradation de la protection fournie par l'appareil.
6. L'appareil et sans entretien, pas d'exigences particulières.
7. Nettoyage : avec un chiffon doux et sec, pas d'exigences particulières.
8. Température de fonctionnement : -30°C - 80°C avec écran, -40°C - 85°C sans écran

3. Structure et fonctionnement



- 1 Écran DFON
- 2 Raccord de process
- 3 Pointe du capteur

Le TFRH/N est un capteur de température programmable haut de gamme qui fonctionne sur la technologie RTD.

Le signal de sortie est un signal Pt100 qui peut, sur les convertisseurs de température intégrés, être converti en signal de sortie avec 4 à 20 mA. Selon le type de capteur, des mesures de températures dans la plage de -50 à 400 °C sont possibles. La programmation peut se faire via l'écran tactile ou via le FlexProgram.

4. Symbols

4.1 Symboles dans les avertissements

Symbole	Mot de signalisation	Explication
	DANGER	Situations entraînant la mort ou des blessures graves.
	AVERTISSEMENT	Situations pouvant entraîner la mort ou des blessures graves.
	PRUDENCE	Situations pouvant entraîner des blessures légères à modérées.
	ATTENTION	Domages matériels

4.2 Approbation



Les exigences de la norme "3-A Sanitary Standard" sont remplies uniquement avec les composants correspondants. Ceux-ci sont repérés avec le logo 3-A.



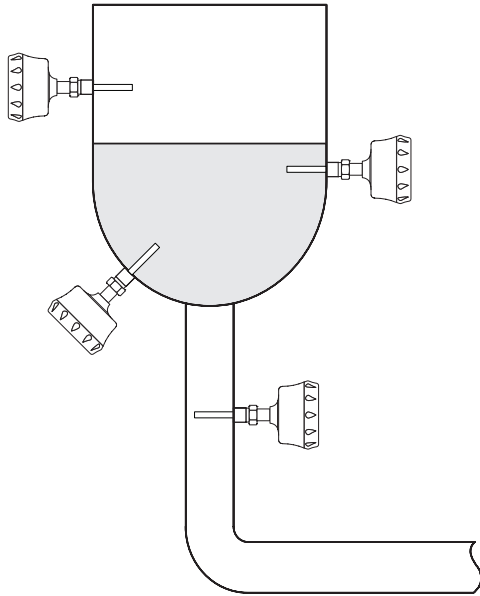
Lors du montage conforme aux spécifications, homologué pour les zones à risques d'explosions.

5. Transport et stockage

- ▶ Contrôler l'état de l'emballage et du capteur.
- ▶ En cas de dommage : Ne pas utiliser le capteur.
- ▶ Toujours conserver le capteur dans un lieu à l'abri des chocs.
 Plage de température de stockage :
 -40 ... $+85$ °C
 Humidité relative : < 98 %

6. Montage

6.1 Conditions de montage



Le capteur peut être installé sur n'importe quel point du récipient ou de la canalisation.

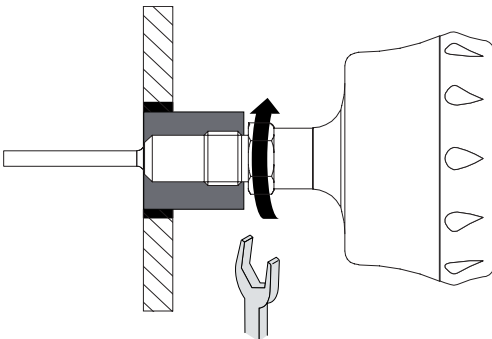
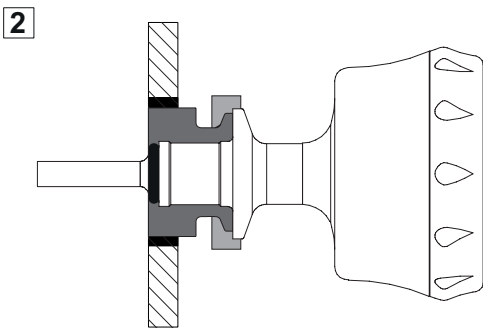
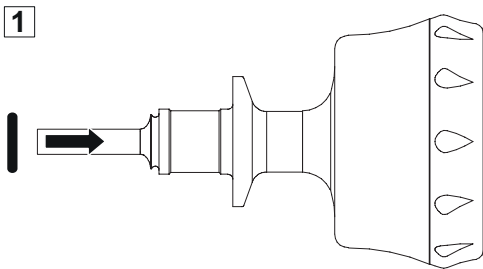
6.2 Montage du TFRH



DANGER

Risque de blessure par un média dangereux

- ▶ Utiliser exclusivement des manchons à souder ou adaptateurs Baumer.
- ▶ Porter un équipement de protection contre les substances dangereuses (solutions acides ou alcalines, etc.).
- ▶ Ne pas étanchéifier les raccords process avec du ruban Téflon ou de l'élastomère.
- ▶ Vider le récipient et les tuyauteries avant le montage.



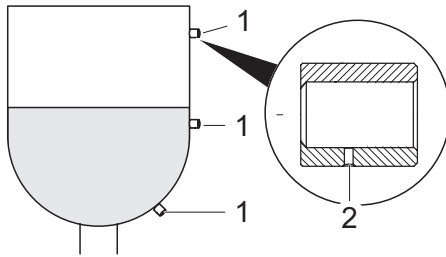
TFRH avec les raccords process suivants :

- 3A DN 38 (BHC)
 - ISO 2852 DN 38 (Tri-Clamp)
 - ISO 2852 DN 51 (Tri-Clamp)
 - Varivent® type N
- ✓ L'ouverture de montage du capteur est facilement accessible.
 - ✓ Le récipient et la tuyauterie sont vides de médias.
 - ▶ Monter le manchon à souder ou l'adaptateur comme suit :
 - Le repère 3-A ou la flèche est orienté(e) vers le haut
 - Alésage de fuite orienté vers le bas
 - Orientation intérieure affleurante
 - ▶ Lisser le cordon de soudure à $Ra \leq 0,8 \mu\text{m}$.
 - ▶ Enfoncer la bague d'étanchéité (1).
 - ▶ Monter le capteur sur le récipient ou le tuyau et serrer l'attache de fermeture (2).
 - ▶ Vérifier l'étanchéité.

TFRH avec les raccords process suivants :

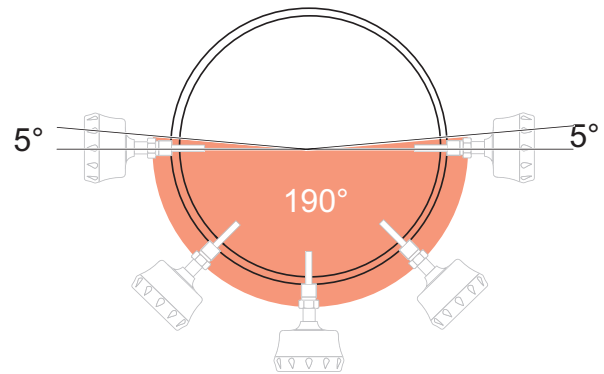
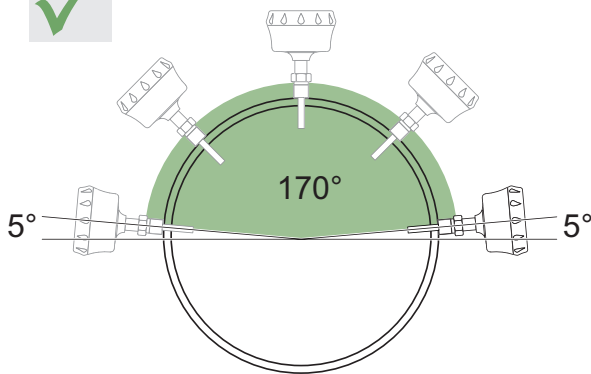
- G 1/2 A hygiénique
- ✓ L'ouverture de montage du capteur est facilement accessible.
 - ✓ Le récipient et la tuyauterie sont vides de médias.
 - ▶ Monter le manchon à souder ou l'adaptateur comme suit :
 - Le repère 3-A ou la flèche est orienté(e) vers le haut
 - Alésage de fuite orienté vers le bas
 - Orientation intérieure affleurante
 - ▶ Lisser le cordon de soudure à $Ra \leq 0,8 \mu\text{m}$.
 - ▶ Visser le capteur.
Couple de serrage : 20 Nm
 - ▶ Vérifier l'étanchéité.

Exemple de montage avec manchon à souder ZPW3-321



- 1 ZPW3-321
- 2 Alésage de fuite

Exemple de montage avec manchon à souder ZPW2-326

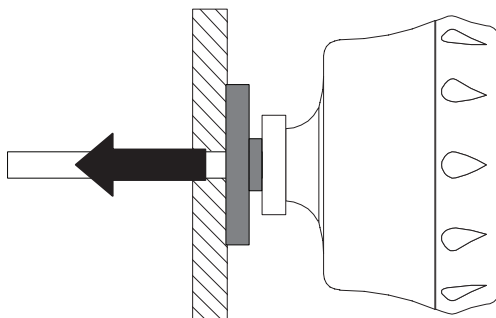


6.3 Montage du TFRN



DANGER
Risque de blessure par un média dangereux

- ▶ Porter un équipement de protection contre les substances dangereuses (solutions acides ou alcalines, etc.).
- ▶ Vider le récipient et les tuyauteries avant le montage.

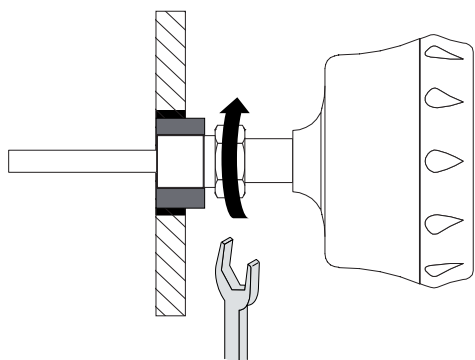


TFRN sans raccord

Il existe diverses options de montage, en fonction du diamètre de la pointe du capteur :

- 6 mm: Raccord de compression
- 8 mm: Raccord de compression ou bride de montage du canal d'aération

- ✓ Le récipient et la tuyauterie sont vides de médias
- ▶ Visser le raccord ou la bride de montage sur le récipient, le tuyau ou le canal d'aération.
- ▶ Monter le capteur dans le raccord ou la bride.
- ▶ Veiller à la bonne tenue de la connexion.

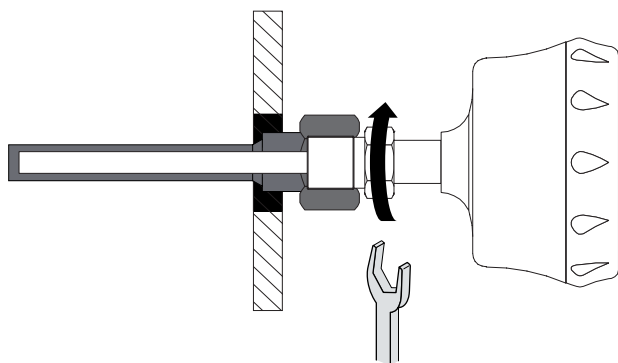
**TFRN avec les raccords process suivants :**

- G 1/2 A DIN 3852-E
- G 1/2 A DIN 3852-A
- R 1/2 ISO 7/1
- 1/2-14 NPT

- ✓ Le récipient et la tuyauterie sont vides de médias
- ▶ Étancher le filetage du capteur avec une bande de Téflon (PTFE), si le raccord n'inclut pas de bague d'étanchéité.
- ▶ Visser le capteur.
Couple de serrage : 20 Nm
- ▶ Vérifier l'étanchéité.

Montage avec un fourreau

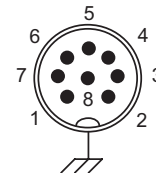
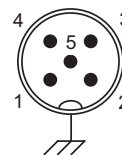
Le TFRN avec raccord G 1/2 A peut être monté dans un fourreau de type ZPT4 de Baumer.

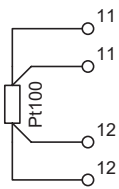
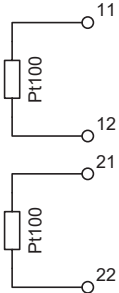
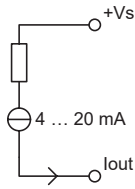
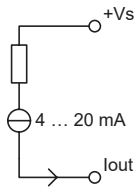


- ✓ Le récipient et la tuyauterie sont vides de médias
- ▶ Étancher le filetage avec un ruban de Téflon (PTFE) sur le fourreau, en l'absence de joint d'étanchéité.
- ▶ Visser le fourreau et serrer l'attache de fermeture.
- ▶ Visser le capteur dans le fourreau.
Couple de serrage : 20 Nm
- ▶ Veiller à la bonne tenue de la connexion.

7. Branchement électrique**7.1 Raccords externes**

- ✓ Selon le transmetteur utilisé, fournir une alimentation de 8 ... 35 ou 7 ... 40 V DC, voir la section 14.2 pour plus de détails.
(Pour l'afficheur DFON, l'alimentation minimale est de 11/12 V DC ou 13,5/14,5 V DC selon l'intensité de l'arrière-plan).
- ▶ Couper la tension de service.
- ▶ Raccorder le capteur conformément à l'affectation des broches.

M12, 5 broches M12, 8 broches

Version de connecteur	Sortie	Schéma de câblage	Broche	Fonctionnement
M12, 5 broches	Pt100 (élément simple)		1, 2	Pt100 11
			3, 4	Pt100 12
			5	N.C.
M12, 5 broches	Pt100 (élément double)		1	Pt100 11
			2	Pt100 12
			3	Pt100 21
			4	Pt100 22
			5	N.C.
M12, 5 broches	4 à 20 mA (2 conducteurs)		1	+Vs
			2	Raccord commun pour les relais 11, 21
			3	lout
			4	Relais 22
			5	Relais 12
M12, 8 broches	4 à 20 mA (2 conducteurs)		1	N.C.
			2	+Vs
			3	Relais 21
			4	Relais 22
			5	Relais 11
			6	Relais 12
			7	lout
			8	N.C.

En l'absence d'alimentation commune aux deux relais, une fiche M12 à 8 broches est nécessaire.

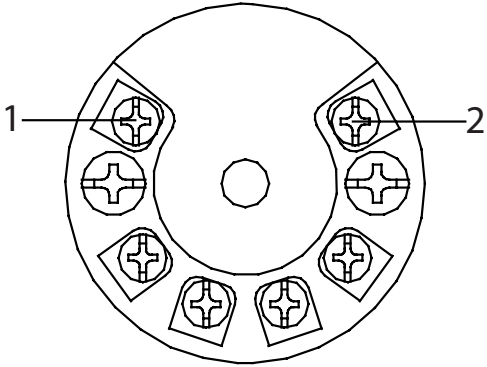
Branchement électrique avec raccord vissé de câble

- ✓ Le capteur est monté
- ▶ Visser le presse-étoupe.
Serrer les presse-étoupes M16 ou M20 en plastique à 2...2,5 Nm.
Serrer le presse-étoupe en acier M20 à 2,5...3 Nm.

Version de connecteur	Diamètre du câble
M16 plastique	5 ... 10 mm
M16 acier inoxydable	5 ... 9 mm
M20 plastique	8 ... 13 mm
M20 acier inoxydable	9 ... 13 mm

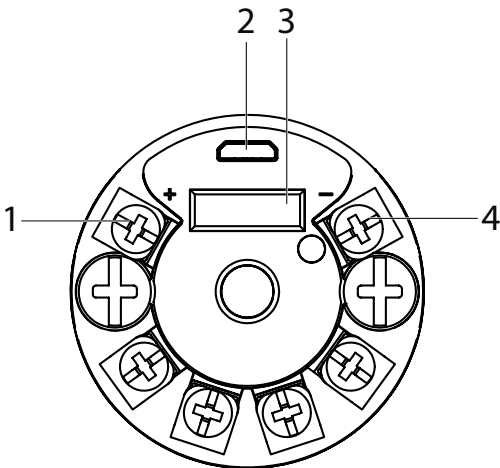
7.2 Raccords internes

Raccordement au FlexTop™ 2202



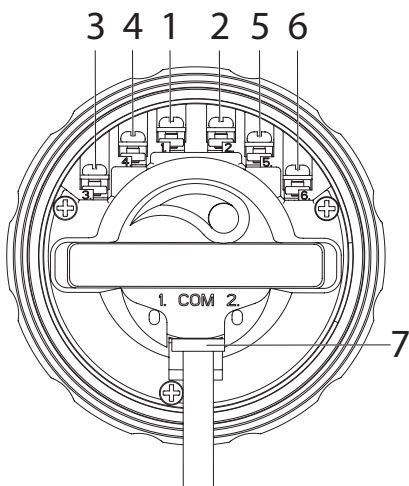
- 1 +Vs
- 2 Iout

Raccordement au FlexTop™ 2212/2222



- 1 +Vs
- 2 USB
- 3 UnitCom (câble à ruban plat)
- 4 Iout

Raccordement à l'écran DFON



- 1 Iin (N.C. avec l'utilisation de FlexTop 2212/2222)
- 2 Iout (N.C. avec l'utilisation de FlexTop 2212/2222)
- 3 Relais 21
- 4 Relais 22
- 5 Relais 11
- 6 Relais 12
- 7 UnitCom (câble à ruban plat)

7.3 Montage de l'écran DFON



ATTENTION

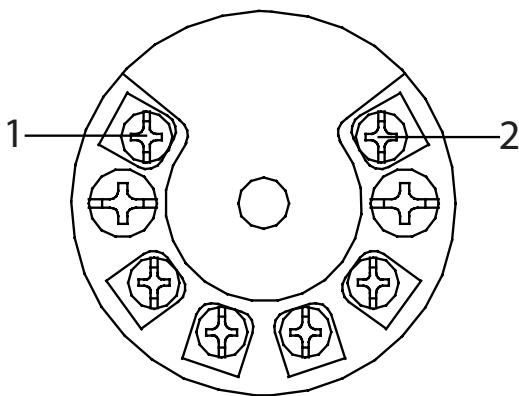
Endommagement du couvercle et du joint avant

- ▶ Ne pas utiliser d'outil pour monter le couvercle avant et la bague fileté.

- ▶ Dévisser le couvercle avant.
- ▶ Extraire le joint torique de la rainure d'étanchéité.
- ▶ Raccorder l'écran DFON au FlexTop.
 - FlexTop 2202: En fonction de l'affectation des broches.
 - FlexTop 2212/2222: Avec un câble UnitCom interne.
- ▶ Serrer la bague fileté à la main.

7.4 Raccordement du FlexProgrammer

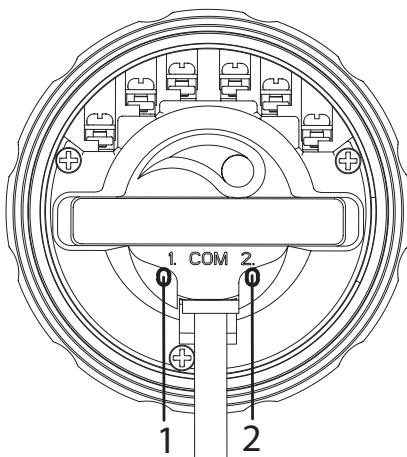
Raccordement au FlexTop™ 2202



- 1 Com 1
- 2 Com 2

- ▶ Dévisser le couvercle du boîtier.
- ▶ Raccorder la borne rouge sur Com 1.
- ▶ Raccorder la borne noire sur Com 2.

Raccordement à l'écran DFON



- 1 Com 1
- 2 Com 2

- ▶ Dévisser le couvercle du boîtier.
- ▶ Raccorder la borne rouge sur Com 1.
- ▶ Raccorder la borne noire sur Com 2.

8. Branchement électrique dans des zones à risques d'explosion



DANGER

Danger de mort en raison d'un capteur mal raccordé

La protection correcte contre les gaz et la poussière est obtenue uniquement quand toutes les exigences d'installation sont remplies.

- ▶ Assurez-vous de remplir toutes les exigences et que le capteur et l'installation disposent d'une homologation pour l'atmosphère explosible spécifique.
- ▶ L'installation doit être effectuée uniquement par des techniciens formés à la protection contre les explosions.
- ▶ Ne jamais utiliser le FlexProgrammer dans des zones explosibles.

8.1 Atmosphères gazeuses explosibles Zones 0, 1 et 2

Le TFRH/N avec convertisseur de mesure FlexTop™ 22xx intégré convient à l'utilisation dans les zones explosibles Zone 0, Zone 1 et Zone 2. Installer des capteurs à barrière Zener. Si le film dissipateur électrostatique sur le couvercle de l'écran est endommagé, arrêtez l'utilisation dans la zone 0.

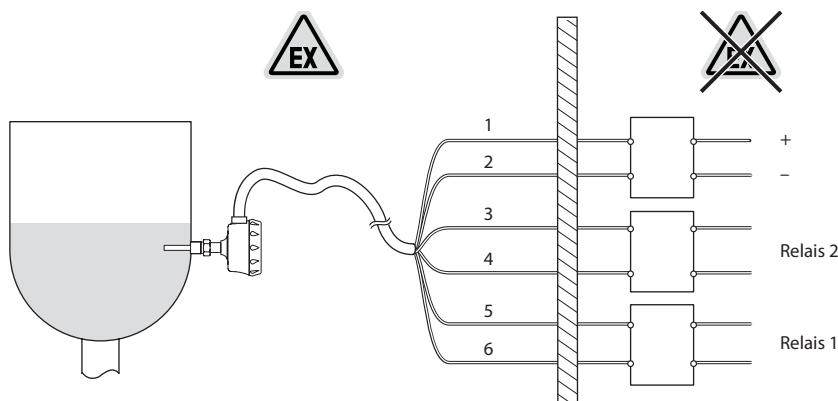
Homologation pour TFRH/N-xxxx.x1xx.xxxx.xxxx.xxxx : ATEX II 1G/IECEX Ex ia IIC T6...T4

Tous les TFRH/N ont la protection Sécurité intrinsèque ia.

- ▶ Utiliser des barrières Zener.
- ▶ Si des relais sont activés, chaque relais doit être protégé par une barrière Zener séparée ou une barrière avec plusieurs canaux.
- ▶ Respecter les températures et valeurs de raccordement suivantes pour le type de convertisseur de mesure respectif.

Ex ia IIC T5 Ga

	Avec affichage DFON	Sans affichage	
FlexTop™ 2202	Ci: 25 nF Li: 20 µH T5: $-20 \leq T_{amb} \leq +60 \text{ °C}$ T4: $-20 \leq T_{amb} \leq +65 \text{ °C}$	Ci: 25 nF Li: 20 µH T5: $-20 \leq T_{amb} \leq +60 \text{ °C}$ T4: $-20 \leq T_{amb} \leq +65 \text{ °C}$	Ui: 28 V DC Ii: 100 mA Pi: 700 mW
FlexTop™ 2212, 2222	Ci: 26 nF Li: 34 µH T5: $-20 \leq T_{amb} \leq +60 \text{ °C}$ T4: $-20 \leq T_{amb} \leq +65 \text{ °C}$	Ci: 11 nF Li: 24 µH T5: $-20 \leq T_{amb} \leq +60 \text{ °C}$ T4: $-20 \leq T_{amb} \leq +65 \text{ °C}$	Ui: 30 V DC Ii: 95 mA Pi: 750 mW
Sorties relais	Ci: 10 nF Li: 10 µH T5: $-20 \leq T_{amb} \leq +60 \text{ °C}$ T4: $-20 \leq T_{amb} \leq +65 \text{ °C}$	N/A	Ui: 30 V DC Ii: 75 mA Pi: 750 mW



Fonction- Broche nement

+Vs	1
Iout	2
Relais 21	3
Relais 22	4
Relais 11	5
Relais 12	6

8.2 Atmosphères gazeuses explosibles Zone 2

Le TFRH/NN convient à l'utilisation dans les zones explosibles Zone 2 sans barrière Zener.

Homologation pour TFRH/N-xxxx.x3xx.xxxx.xxxx : ATEX II 3G/IECEX Ex ec IIC T5...T4

Tous les TFRH/N ont la protection Sécurité intrinsèque ec.

- ▶ Respecter les températures et valeurs de raccordement suivantes.

Ex ec II T4/T5

Plage d'alimentation	Un: 30 V DC max. In: 20 mA
Catégorie de température	<ul style="list-style-type: none"> ■ Avec affichage: T4: $-20 < T_{amb} < 70^{\circ}\text{C}$ T5: $-20 < T_{amb} < 60^{\circ}\text{C}$ ■ Sans affichage: T5: $-40 < T_{amb} < 80^{\circ}\text{C}$

8.3 Appareil électrique simple (pas d'écran, pas de convertisseur de mesure)

Le TFRH/N sans convertisseur de mesure (sortie Pt100) et sans écran convient à l'utilisation dans les zones explosibles Zone 0, Zone 1 et Zone 2. Pour toutes les zones, des barrières Zener doivent être utilisées.

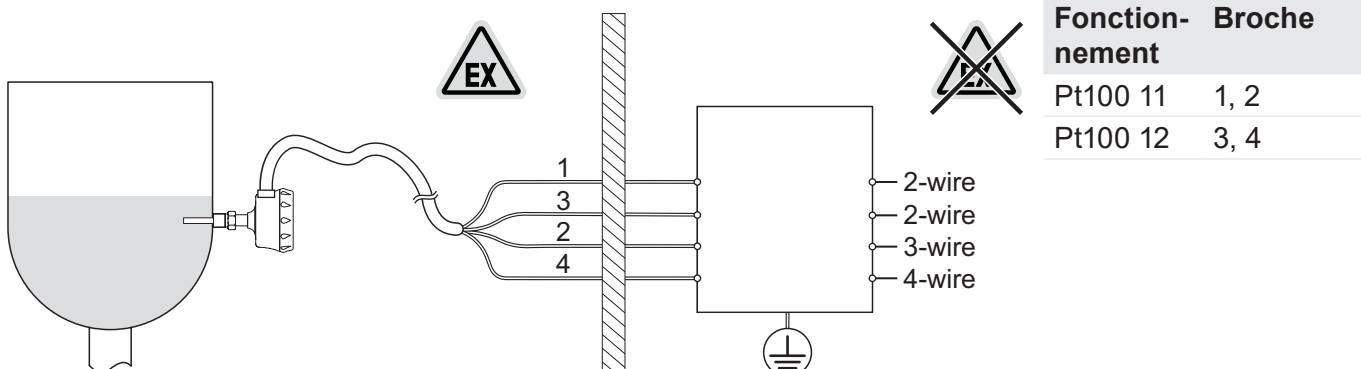
Homologation pour TFRH/N-xxxx.x9xx.xxxx.xxxx : Ex ia appareil électrique simple Da / Gc

Pour tous les TFRH/N en Zone 0, Zone 1 et Zone 2

- ▶ Utiliser des barrières Zener.
- ▶ Respecter les températures, valeurs de raccordement et schémas de câblage suivants.

Ex ia appareil électrique simple (IEC 60079-11)

Valeurs limites	<ul style="list-style-type: none"> Ui: 15 V DC Ii: 50 mA Pi: 25 mW Li: 0 μH Ci: 0 nF
Catégorie de température	<ul style="list-style-type: none"> ■ T1 ... T5: $-40 \leq T_{amb} \leq 85^{\circ}\text{C}$ ■ T6: $-40 \leq T_{amb} \leq 55^{\circ}\text{C}$ ■ T135 $^{\circ}\text{C}$: $-40 \leq T_{amb} \leq 85^{\circ}\text{C}$



9. Configuration

9.1 Configuration via l'écran tactile DFON

- ▶ Tapoter sur l'écran tactile et maintenir jusqu'à l'apparition de l'interface de menu.
- ▶ Tapoter sur Menu pour démarrer la configuration.

Exemple

- ▶ Configuration de la disposition de l'affichage.



Autres réglages possibles :

- Relais
- Affichage des avertissements et des erreurs
- Mise en page de l'écran
- Couleur
- Langue

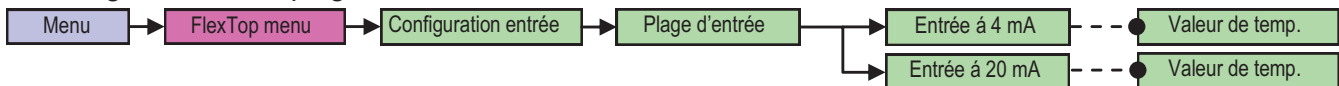
9.2 Configuration du convertisseur de mesure via l'écran tactile DFON

Sur le TFRH/N à convertisseur de mesure FlexTop™ 2212 ou FlexTop™ 2222 monté, d'autres configurations peuvent être programmées via l'écran tactile DFON.

- ▶ Tapoter sur l'écran et maintenir jusqu'à l'apparition de l'interface de menu.
- ▶ Tapoter sur Menu pour démarrer la configuration.

Exemple

- ▶ Configuration de la plage d'entrée.



- ▶ Configuration de la plage d'amortissement.



Autres réglages possibles :

- Type de capteur
- Unité de température
- Limitation de sortie
- Décalage du capteur

9.3 Configuration via le FlexProgram



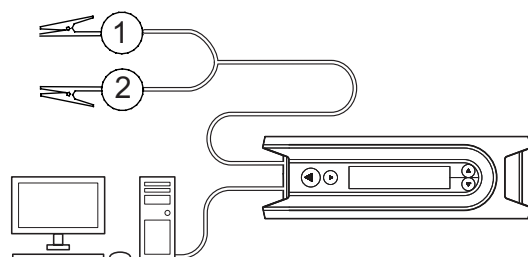
DANGER

Le FlexProgrammer n'est pas homologué ATEX pour l'utilisation dans les atmosphères explosibles.

- ▶ Ne jamais utiliser le FlexProgrammer dans des zones explosibles.

Configuration avec le FlexProgrammer et un PC

- ▶ Dévisser le couvercle avant/l'écran DFON du TFRH/N.
- ▶ Raccorder le FlexProgrammer au FlexTop 2202.
- ▶ Raccorder le FlexProgrammer au PC et définir les paramètres (voir la notice du FlexProgrammer).



Configuration avec le câble USB et un PC

- ▶ Dévisser le couvercle avant/l'écran DFON du TFRH/N.
- ▶ Raccorder le FlexTop 22x2 au PC directement avec un câble micro-USB B et définir les paramètres.

Configuration dans une atmosphère explosible

- ✓ L'alimentation électrique est coupée
- ▶ Débrancher le TFRH/N du circuit.
- ▶ Déposer le TFRH/N et l'amener dans une zone sûre (hors de l'atmosphère explosible).
- ▶ Effectuer la configuration.

Options avec le FlexProgram

- Type de capteur
- Unité de température
- Plage de température
- Limitation de sortie
- Amortissement
- Saisie des données
- Décalage du capteur
- Compensation de ligne automatique

10. Dépannage

Panne	Cause	Mesure
L'écran est éteint et les signaux du convertisseur de mesure ne sont pas transmis	Capteur mal relié	▶ Contrôler la fiche et l'alimentation électrique.
	Défaut de l'appareil	▶ Déposer le capteur et l'envoyer à Baumer.
L'écran est allumé, mais aucun signal n'est transmis par le convertisseur de mesure	Court-circuit	▶ Eliminer le court-circuit.
L'écran est éteint, mais un signal est transmis par le convertisseur de mesure	Le câble UnitCom n'est pas relié.	▶ Relier l'écran et le convertisseur de mesure avec le câble UnitCom.
L'écran n'affiche pas les bonnes valeurs	Plage de température inadaptée.	▶ Vérifier la plage des valeurs d'extrémités.

11. Nettoyage, maintenance et réparation

Nettoyage

- ▶ Nettoyer, désinfecter ou stériliser le capteur si besoin (CIP/SIP).

Maintenance

Une maintenance régulière n'est pas nécessaire.

Réparation

- Ne pas réparer soi-même le capteur.
- ▶ Envoyer le capteur endommagé à Baumer.

12. Elimination



- ▶ Ne pas jeter avec les ordures ménagères.
- ▶ Trier les matériaux et les éliminer en fonction de la réglementation en vigueur.

13. Accessoires

Pour les pièces détachées et d'autres accessoires, consulter www.baumer.com.

14. Caractéristiques techniques

14.1 Capteur

Conditions environnementales		Élément de capteur, Pt100 DIN EN 60751		
Pression du process	Voir « Conditions de process »	1/1 DIN Klasse B	$\pm (0,3 + 0,005 \times t) \text{ } ^\circ\text{C}$	
Plage de température ambiante	<ul style="list-style-type: none"> ■ -40 ... 160 °C ■ -40 à 85 °C (avec convertisseur de mesure) ■ -30 à 80 °C (avec écran) 	1/3 DIN Klasse B	$\pm 1/3 \times (0,3 + 0,005 \times t) \text{ } ^\circ\text{C}$	
		1/6 DIN Klasse B	$\pm 1/6 \times (0,3 + 0,005 \times t) \text{ } ^\circ\text{C}$	
		1/1 DIN Klasse A	$\pm (0,15 + 0,002 \times t) \text{ } ^\circ\text{C}$	
		Temps de réaction T50		
		Diamètre du capteur	Liquide 0,4 m/s	Air 3 m/s
Humidité	< 98 %, avec condensation	6 mm	< 6,1 s	< 27,2 s
Indice de protection	<ul style="list-style-type: none"> ■ IP67 ■ IP69K (avec un câble adapté) 	6/4 mm	< 1,5 s	< 21,4 s
		8 mm	< 7,6 s	< 47,7 s
		8/4 mm	< 1,5 s	< 33,6 s
Ondulations (sinusoïdales) (IEC 60068-2-6)	<ul style="list-style-type: none"> ■ 1,6 mm p-p (2 à 25 Hz), 4 g (25 à 100 Hz), 1 octave/min. 			
Température de process	Voir « Conditions de process »			
Poids env.	0,8 kg, selon la configuration du produit			

14.2 Convertisseur de mesure

FlexTop® 2202 – Standard		FlexTop® 2212 et 2222	
Entrée	Pt100	Entrée	Pt100
Sortie	4 ... 20 mA	Sortie	<ul style="list-style-type: none"> ■ 2212: 4 ... 20 mA ■ 2222: 4 ... 20 mA/HART
Précision	Entrée : < $\pm 0,25 \text{ } ^\circ\text{C}$ Sortie : < $\pm 0,1 \%$ de la fourchette de sortie	Précision	Entrée : < $\pm 0,06 \text{ } ^\circ\text{C}$ Sortie : < $\pm 0,025 \%$ de la fourchette de sortie
Plage de mesure	-200 à 850 °C (programmable) Plus petite fourchette : 25 °C	Plage de mesure	-200 à 850 °C (programmable) Plus petite fourchette : 10 °C
Plage de tension de service	8 ... 35 V DC sans DFON 14,5 ... 35 V DC avec DFON	Plage de tension de service	7 ... 40 V DC sans DFON 13,5 ... 40 V DC avec DFON
Programmabilité	FlexProgrammer 9701	Programmabilité :	<ul style="list-style-type: none"> ■ FlexTop® 2212 PC avec FlexProgram ■ FlexTop® 2222 PC avec FlexProgram/terminal HART
Réglages d'usine :		Réglages d'usine :	
<ul style="list-style-type: none"> ■ Plage de sortie 0 ... 120 °C ■ Raccord 2 conducteurs ■ Amortissement 0 s ■ Sortie en cas de défaillance du capteur Upscale 23 mA 		<ul style="list-style-type: none"> ■ Plage de sortie 0 ... 100 °C ■ Raccord 2 conducteurs ■ Amortissement 0 s ■ Sortie en cas de défaillance du capteur Upscale 23 mA 	

15. Conditions de process

Raccord de process	BCID	Code de commande	Pression du process [bar]	Température de process, Standard [°C]	Température de process, avec col de refroidissement [°C]	Température de process, avec col de refroidissement et entretoise
				Tamb = 20 °C	Tamb = 20 °C	Tamb = 60 °C

TFRN

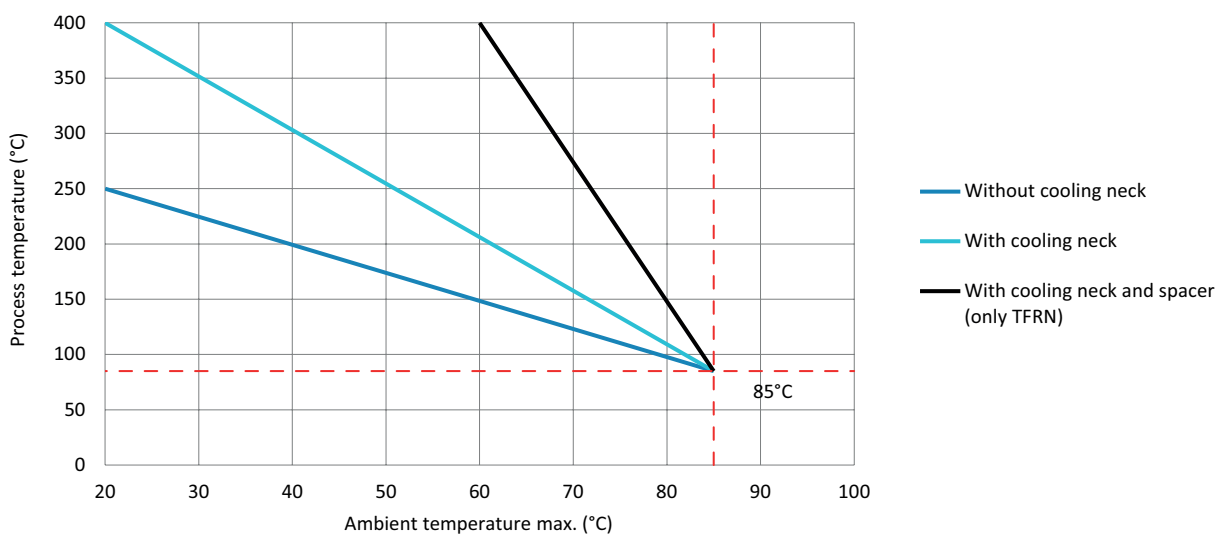
Manchon protecteur Ø6	T65	10	-1 ... 40	-50 ... 250	-50 ... 400	-50 ... 400
G 1/2 A DIN 3852-E	G51	11	-1 ... 100	-50 ... 250	-50 ... 400	-50 ... 400
G 1/2 A DIN 3852-A	G44	12	-1 ... 100	-50 ... 250	-50 ... 400	-50 ... 400
R 1/2 ISO 7/1	R01	13	-1 ... 100	-50 ... 250	-50 ... 400	-50 ... 400
1/2-14 NPT	N02	30	-1 ... 100	-50 ... 250	-50 ... 400	-50 ... 400

TFRH

G 1/2 A hygiénique	A03	51	-1 ... 100	-50 ... 250	-50 ... 400	n. a.
BHC 3A DN 38	B01	60	-1 ... 40	-50 ... 250	-50 ... 400	n. a.
ISO 2852 DN38 (Tri-Clamp)	C04	65	-1 ... 40	-50 ... 250	-50 ... 400	n. a.
ISO 2852 DN51 (Tri-Clamp)	C05	66	-1 ... 40	-50 ... 250	-50 ... 400	n. a.
Varivent® type N	V02	70	-1 ... 16	-50 ... 250	-50 ... 400	n. a.

15.1 Température de process

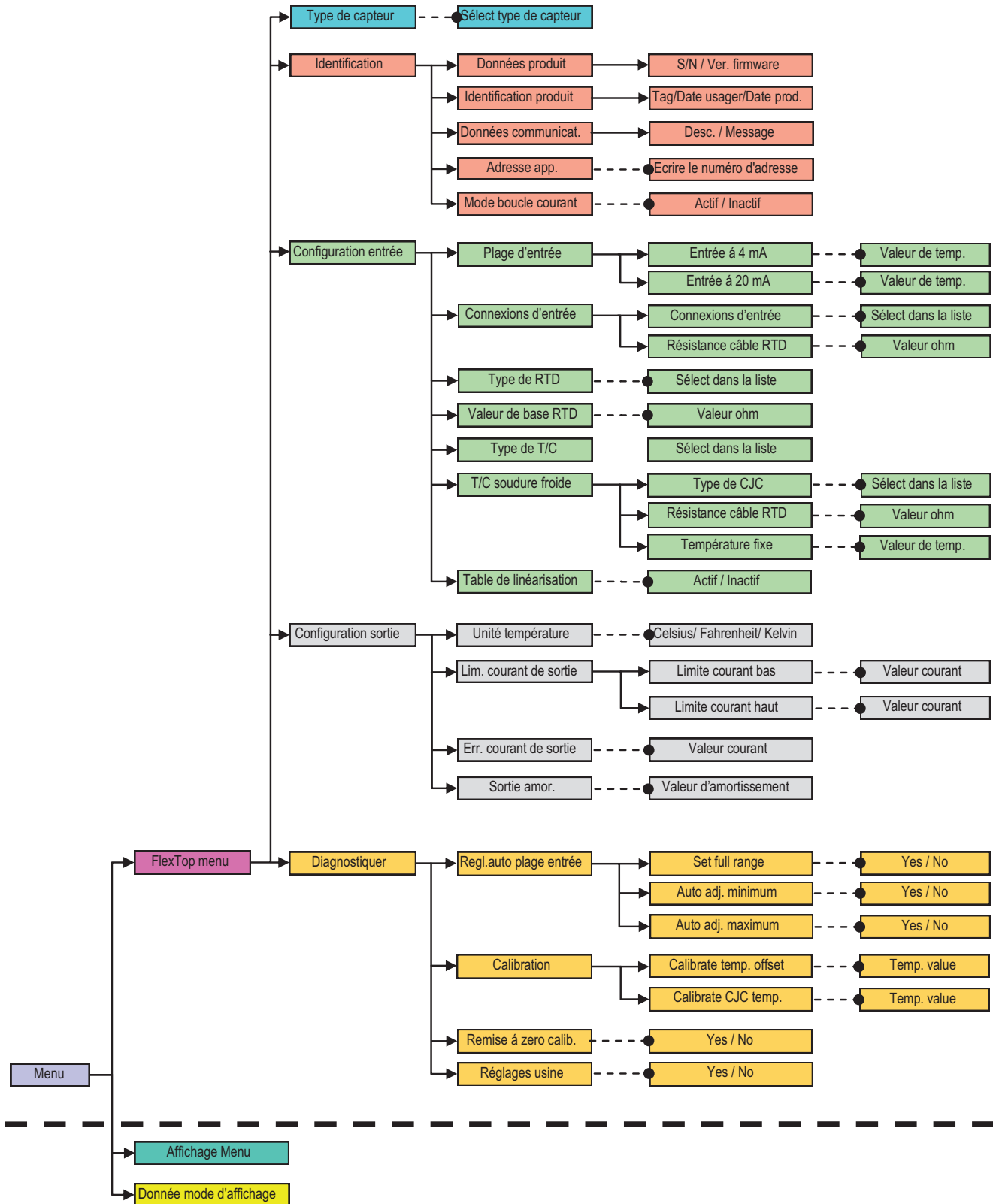
Température de process

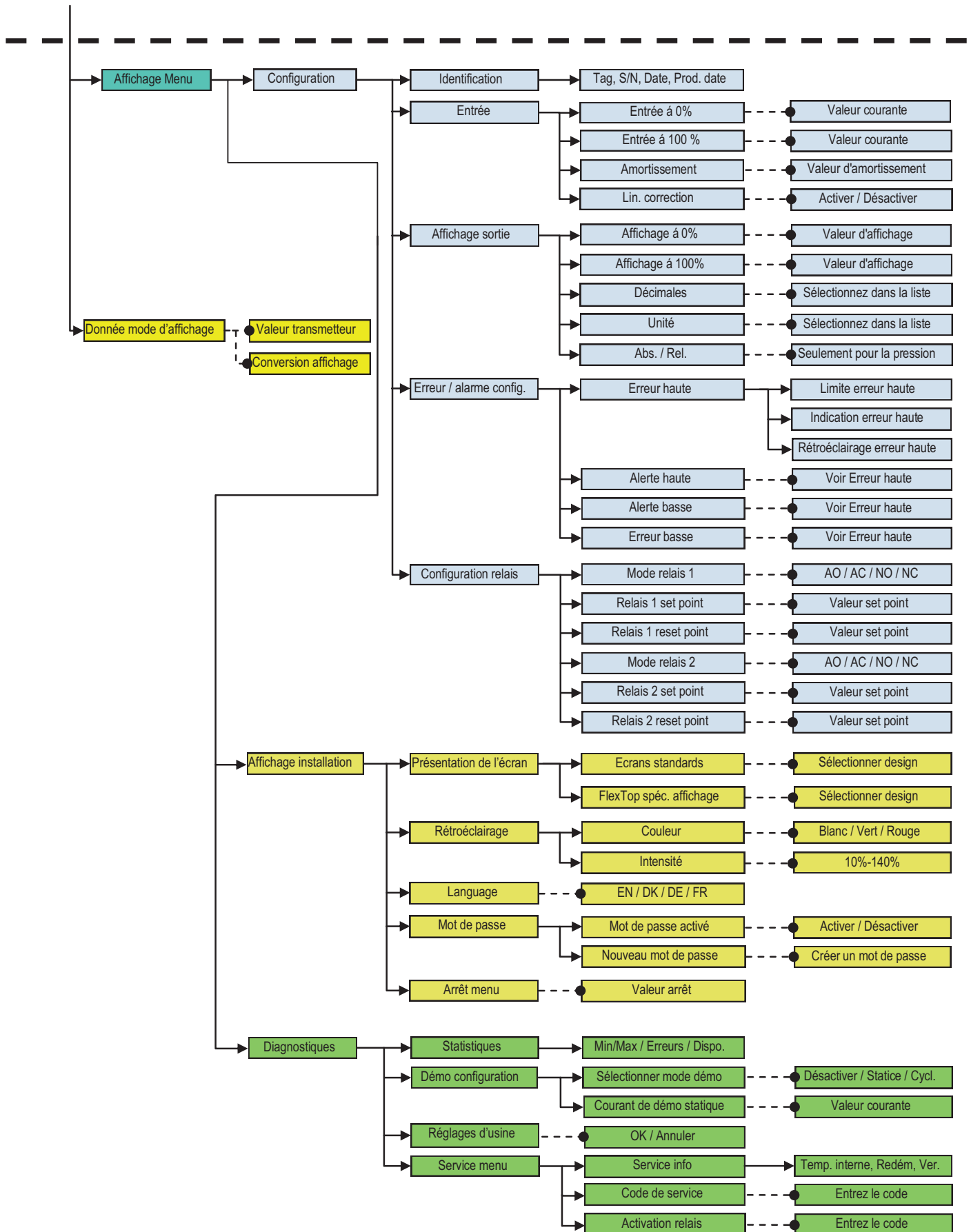


16. Vue d'ensemble de la configuration

Structure de menu DFON

La rubrique de menu FlexTop n'est disponible qu'en cas d'utilisation avec le FlexTop 2212/2222.





Temperature measurement

CombiTemp™ TFRH/N

RTD temperature sensor

 **Baumer**
Passion for Sensors

Baumer A/S

Runetoften 19
8210 Aarhus V
Denmark

Phone: +45 8931 7611

Fax: +45 8931 7610

Mail: sales.cc-lct@baumer.com