

# Torque arm T3

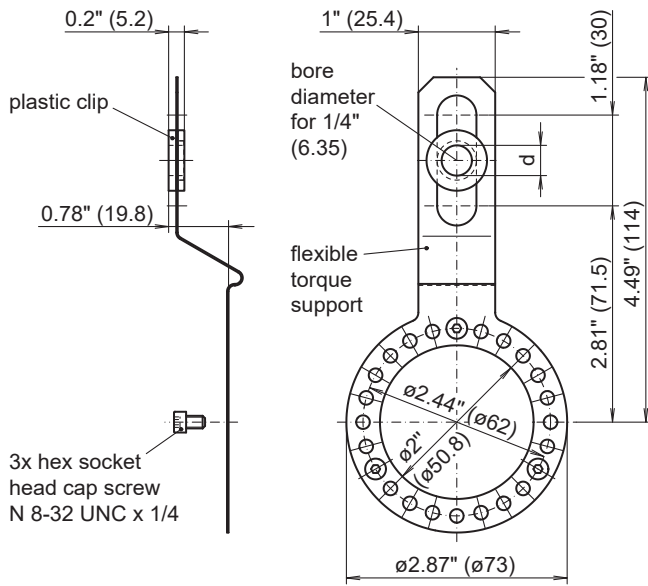
Article number: 11075692

## Overview

- Fast and easy mounting on encoder. Prevents against bearing force overload. Flexible orientation of fixing point.
- Adjustable length, for bolt 1/4" with plastic clip and screws



## Dimensions



Tether arm T3