

# Tube Adapter A M47 hard anodized

Article number: 11185373

## Overview

- adapter to mount the Tube M47 hard anodized (11185370/11195425) to VCXG.I and VAX cameras
- thread: M47
- length 2 mm



## Technical data

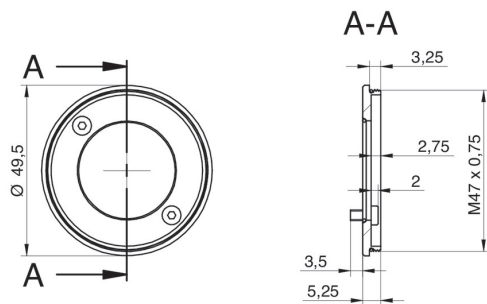
### Mechanical data

External diameter	49.5 mm
Weight	≤ 12 g
Thread	M47 × 0,75

### Mechanical data

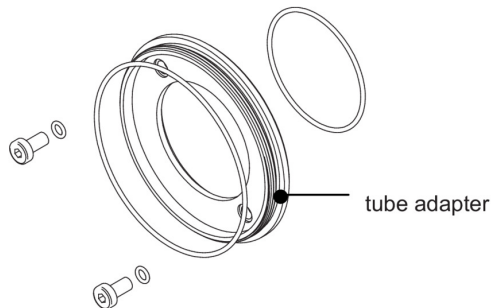
Length of tube	2 mm
Material	aluminum, hard-anodized
Sealing	EPDM

## Dimension drawing



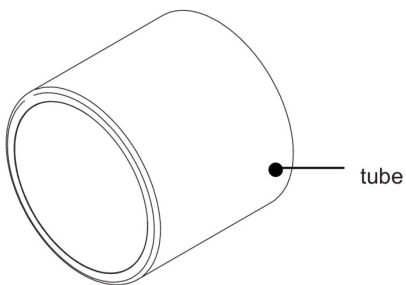
## Principle

Optional accessories for protection class IP65/67:



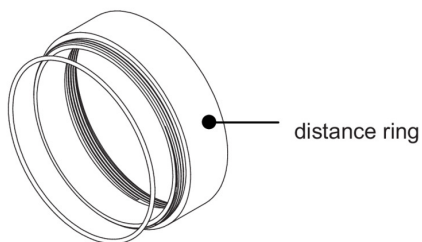
tube adapter

- hard-anodized, incl. sealing and screws  
 $\varnothing$  49.5 mm (VCXG.I 11185373)  
 $\varnothing$  65 mm (VCXG.I 11185377)  
 $\varnothing$  65 mm (VLXT 11193125)



tube

- hard-anodized, cover glass PMMA  
 $\varnothing$  49.5 mm, length 44 mm (11185370)  
 $\varnothing$  65 mm, length 58 mm (11185374)
- hard-anodized, tempered laminated safety glass  
 $\varnothing$  49.5 mm, length 44 mm (11701124)  
 $\varnothing$  65 mm, length 58 mm (11701125)



distance ring

- hard-anodized, incl. sealing  
 $\varnothing$  49.5 mm, length 6 mm (11185372)  
 $\varnothing$  49.5 mm, length 12 mm (11185371)  
 $\varnothing$  49.5 mm, length 36 mm (11211571)
- $\varnothing$  65 mm, length 6 mm (11185376)  
 $\varnothing$  65 mm, length 12 mm (11185375)  
 $\varnothing$  65 mm, length 36 mm (111988906)