

# Tube M60 V4A IP69K Acryl

Article number: 11208732

## Overview

- stainless steel lens protection with PMMA cover glass (FDA certified)
- suitable for Housing base set B V4A VCXG.I r IP69K (11208744)
- thread: M60
- length 31 mm



## Technical data

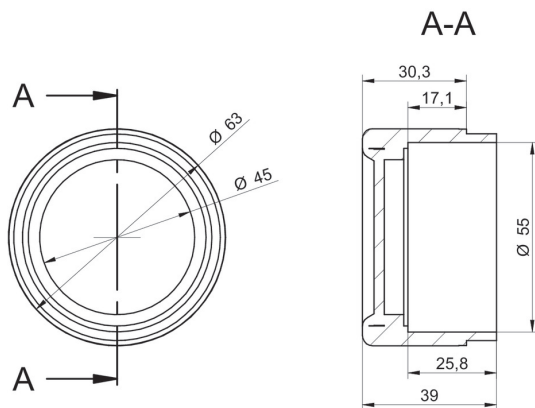
### Mechanical data

Inner diameter	55 mm
External diameter	63 mm
Material of cover glass	PMMA (acrylic glass)
Weight	≤ 226 g

### Mechanical data

Thread	M60 × 1,5
Ø cover glass	44 mm
Length of tube	31 mm
Material	Stainless steel 1.4404

## Dimension drawing



## Principle

