

# Tube M62 V4A PMMA

Article number: 11704017

## Overview

- stainless steel lens protection with PMMA cover glass (FDA certified)
- suitable for Housing base set C V4A VCXG.I r IP65/67
- thread: M62
- length 58 mm



## Technical data

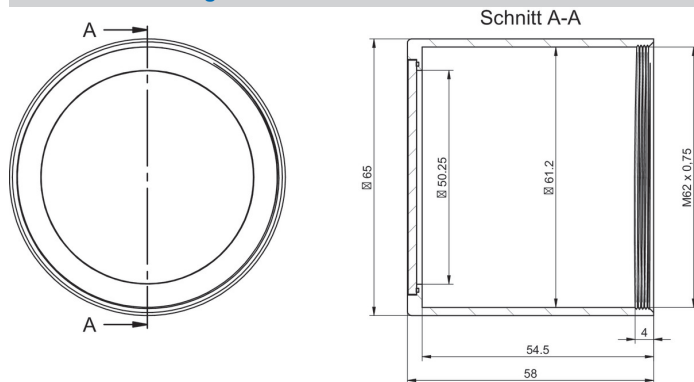
### Mechanical data

Inner diameter	61 mm
External diameter	65 mm
Material of cover glass	PMMA (acrylic glass)
Weight	≤ 0.0000 g

### Mechanical data

Thread	M62 × 0,75
Ø cover glass	50 mm
Length of tube	58 mm
Material	Stainless steel 1.4404

## Dimension drawing



## Principle

