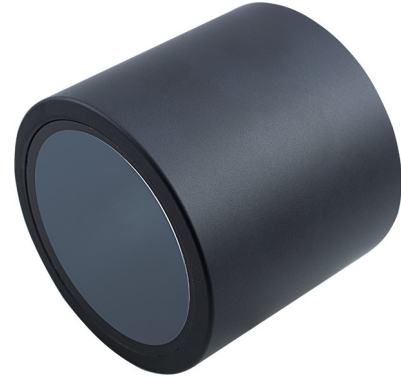


Tube M62 hard anod. scratchproof glass

Article number: 11701125

Overview

- hard anodized lens protection with scratchproof laminated safety glass: Corning® Gorilla® glass (generation 3)
- optional tube extension with Tube Module 6mm (11185376), Tube Module 12 mm (11185375) or Tube Module 36 mm (11198906). Use of several Tube Modules possible.
- thread: M62
- length 58 mm



Technical data

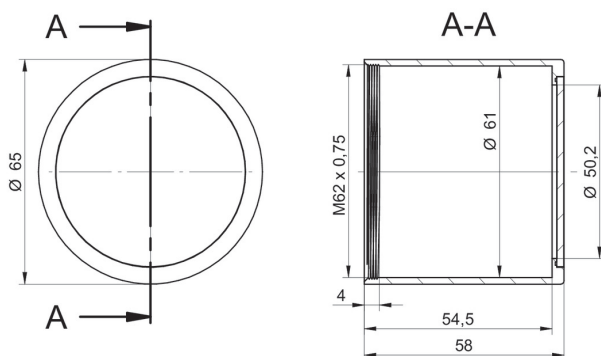
Mechanical data

Inner diameter	61 mm
External diameter	65 mm
Material of cover glass	Corning® Gorilla® glass
Weight	≤ 76 g

Mechanical data

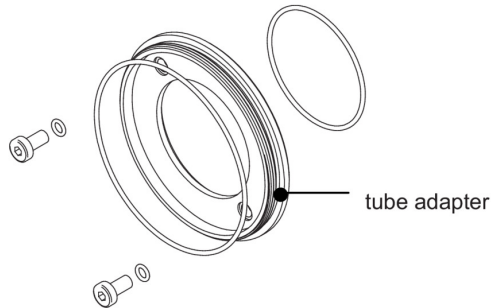
Thread	M62 × 0,75
Ø cover glass	50 mm
Length of tube	58 mm
Material	aluminum, hard-anodized
Sealing	Gomastit 400

Dimension drawing



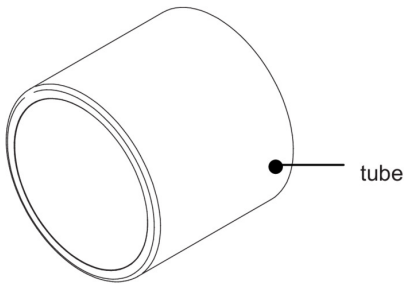
Principle

Optional accessories for protection class IP65/67:



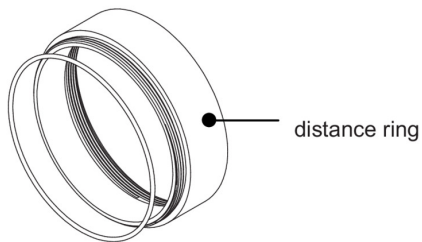
tube adapter

- hard-anodized, incl. sealing and screws
 \varnothing 49.5 mm (VCXG.I 11185373)
 \varnothing 65 mm (VCXG.I 11185377)
 \varnothing 65 mm (VLXT 11193125)



tube

- hard-anodized, cover glass PMMA
 \varnothing 49.5 mm, length 44 mm (11185370)
 \varnothing 65 mm, length 58 mm (11185374)
- hard-anodized, tempered laminated safety glass
 \varnothing 49.5 mm, length 44 mm (11701124)
 \varnothing 65 mm, length 58 mm (11701125)



distance ring

- hard-anodized, incl. sealing
 \varnothing 49.5 mm, length 6 mm (11185372)
 \varnothing 49.5 mm, length 12 mm (11185371)
 \varnothing 49.5 mm, length 36 mm (11211571)
- \varnothing 65 mm, length 6 mm (11185376)
 \varnothing 65 mm, length 12 mm (11185375)
 \varnothing 65 mm, length 36 mm (111988906)