

Overview

- Fastest limit value detection due to extremely short response times
- Flexible parameterization and additional diagnostic data thanks to IO-Link
- Shortest blind zone in its class
- High performance in compact housing



Picture similar



Technical data

General data

Scanning range Sd	15 ... 500 mm
Scanning range far limit Sde	15 ... 500 mm
Version	IO-Link
Hysteresis typ.	4 % Sde
Repeat accuracy	< 0,5 mm
Temperature drift	< 2 % Sde
Power-up drift	Compensated after 15 min.
Response time ton/toff min	< 16 ms
Response time ton/toff standard	< 40 ms
Sonic frequency	290 kHz
Adjustment	qTeach, line-Teach, IO-Link
Light indicator	LED yellow
Power on indication	LED green
Alignment measuring axis	< 2°

Electrical data

Voltage supply range +Vs	12 ... 30 VDC
Current consumption typ.	35 mA
Output circuit	Push-pull
Output current	< 100 mA
Voltage drop Vd	< 3 VDC
Residual ripple	< 10 % Vs
Short circuit protection	Yes
Reverse polarity protection	Yes

Communication interface

Interface	IO-Link V1.1
Baud rate	38,4 kBaud (COM 2)
Cycle time	≥ 8 ms
Process data length	48 Bit

Communication interface

Process data structure	Bit 0 = SSC1 (distance) Bit 1 = SSC2 (distance) Bit 2 = quality Bit 3 = alarm Bit 5 = SSC4 (counter) Bit 8-15 = scale factor Bit 16-47 = 32 Bit measurement
IO-Link port type	Class A
Additional data	Distance Excess gain Operating cycles Operating hours Boot cycles Operating voltage Device temperature Histograms
Adjustable parameters	Time filters LED status indicators Output logic Output circuit Counter Beam forming Deactivate the sensor element Find Me function
IO-Link	Yes

Mechanical data

Type	Rectangular
Housing material	Plastic (ASA, PMMA)
Width / diameter	12,9 mm
Height / length	32,2 mm
Depth	23 mm
Connection types	Connector M8 4 pin

Technical data

Ambient conditions

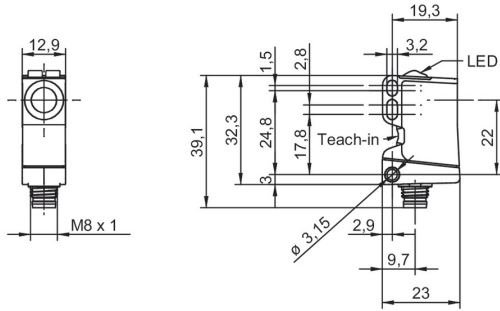
Operating temperature -25 ... +65 °C

Ambient conditions

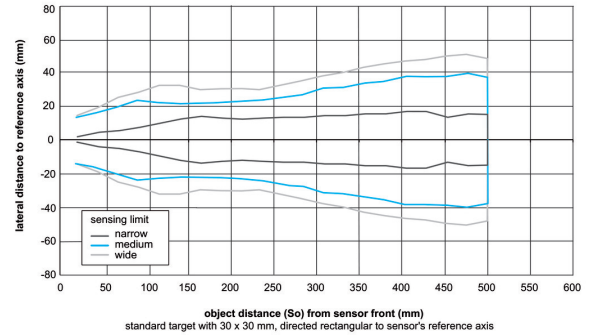
Storage temperature -40 ... +75 °C

Protection class IP 67

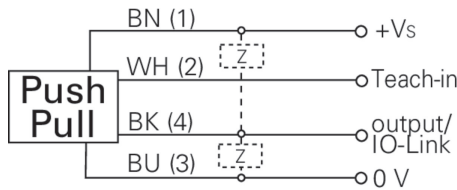
Dimension drawing



Typical sonic cone profile



Connection diagram



Pin assignment

