

Overview

- receiver
- 0... 2000 mm
- push-pull
- qTeach, line-Teach, IO-Link
- connector M12 5 pin
- -25 ... 65 °C
- IP 67



Picture similar



Technical data

General data

Emitter / receiver	Receiver
Scanning range Sd	0 ... 2000 mm
Scanning range far limit Sde	0 ... 2000 mm
Version	IO-Link
Object size (at Sd = 50 mm)	> 4 cm ²
Hysteresis typ.	5 % Sde
Repeat accuracy	< 3 mm
Temperature drift	< 2 % Sde
Response time ton	< 9 ms
Release time toff	< 9 ms
Adjustment	qTeach, line-Teach, IO-Link
Sonic frequency	200 kHz
Alignment aid	Target indication flashing
Output indicator	LED yellow
Power on indication	LED green

Electrical data

Voltage supply range +Vs	12 ... 30 VDC
Current consumption max. (no load)	25 mA
Output circuit	Push-pull
Output current	< 100 mA
Voltage drop Vd	< 3,5 VDC
Residual ripple	< 10 % Vs
Short circuit protection	Yes

Electrical data

Reverse polarity protection	Yes, Vs to GND
-----------------------------	----------------

Communication interface

Interface	IO-Link V1.1
Baud rate	38,4 kBaud (COM 2)
Cycle time	≥ 3 ms
Process data length	48 Bit
Process data structure	Bit 0 = SSC1 Bit 1 = SSC2 Bit 3 = alarm Bit 16-31 = 16 Bit measurement

IO-Link port type	Class A
-------------------	---------

Additional data	Excess gain Operating cycles Operating hours Boot cycles Operating voltage Device temperature Histograms
Adjustable parameters	Time filters LED status indicators Output logic Output circuit Counter Deactivate the sensor element Find Me function

Mechanical data

Type	Rectangular
------	-------------

Technical data

Mechanical data

Housing material	Plastic (ASA, PMMA)
Coating active face	PEEK
Width / diameter	18 mm
Height / length	45 mm
Depth	32 mm

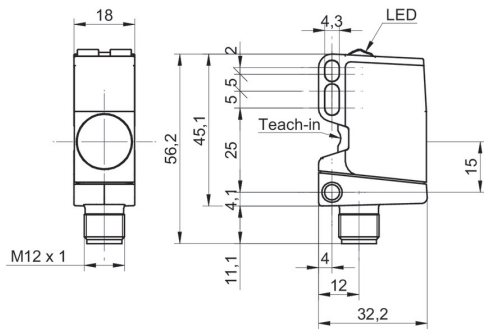
Mechanical data

Connection types	Connector M12 5 pin
------------------	---------------------

Ambient conditions

Operating temperature	-25 ... +65 °C
Storage temperature	-40 ... +75 °C
Protection class	IP 67

Dimension drawing



Connection diagram

