

Overview

- 20 ... 1000 mm
- push-pull
- qTeach, line-Teach, IO-Link
- connector M12 5 pin
- -25 ... 65 °C
- IP 67



Picture similar



Technical data

General data		Communication interface	
Scanning range Sd	20 ... 1000 mm	Interface	IO-Link V1.1
Scanning range far limit Sde	20 ... 1000 mm	Baud rate	38,4 kBaud (COM 2)
Version	IO-Link Multiplex version	Cycle time	≥ 12 ms
Hysteresis typ.	4 % Sde	Process data length	48 Bit
Repeat accuracy	0.5 mm	Process data structure	Bit 0 = SSC1 (distance) Bit 1 = SSC2 (distance) Bit 2 = quality Bit 3 = alarm Bit 5 = SSC4 (counter) Bit 8-15 = scale factor Bit 16-47 = 32 Bit measurement
Temperature drift	< 2 % Sde	IO-Link port type	Class A
Power-up drift	Compensated after 15 min.	Additional data	Distance Excess gain Operating cycles Operating hours Boot cycles Operating voltage Device temperature Histograms
Response time ton	< 40 ms		
Release time toff	< 40 ms		
Sonic frequency	200 kHz		
Adjustment	qTeach, line-Teach, IO-Link		
Light indicator	LED yellow		
Power on indication	LED green		
Alignment measuring axis	< 2°		
Electrical data			
Voltage supply range +Vs	12 ... 30 VDC		
Current consumption typ.	35 mA		
Output circuit	Push-pull		
Output current	100 mA		
Voltage drop Vd	<3.5 VDC		
Residual ripple	< 10 % Vs		
Short circuit protection	Yes		
Reverse polarity protection	Yes		

Technical data

Communication interface

Adjustable parameters	Time filters
	LED status indicators
	Output logic
	Output circuit
	Counter
	Beam forming
	Function of pin 5
	Deactivate the sensor element
	Find Me function

Mechanical data

Design	Rectangular
Housing material	Plastic (ASA, PMMA)

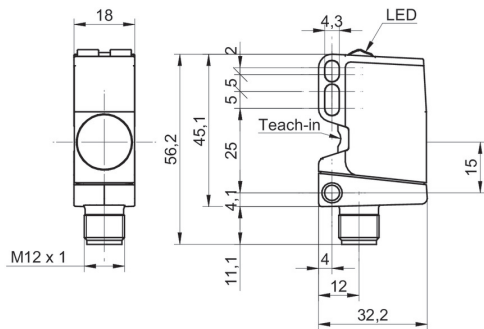
Mechanical data

Coating active face	PEEK
Width / diameter	18 mm
Height / length	45 mm
Depth	32 mm
Connection types	Connector M12 5 pin

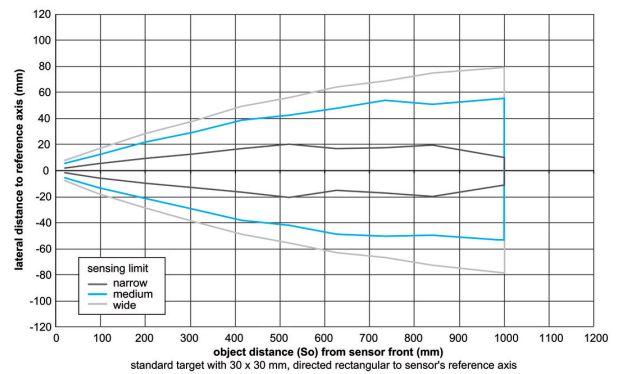
Ambient conditions

Operating temperature	-25 ... +65 °C
Storage temperature	-40 ... +75 °C
Protection class	IP 67

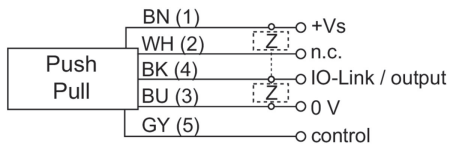
Dimension drawing



Typical sonic cone profile



Connection diagram



Pin assignment

