

Overview

- 20 ... 1000 mm
- push-pull
- qTeach, line-Teach, IO-Link
- connector M12 5 pin
- -25 ... 65 °C
- IP 67



Picture similar



Technical data

General data

Special type	2 point proximity switch
Scanning range Sd	20 ... 1000 mm
Scanning range far limit Sde	20 ... 1000 mm
Version	IO-Link dual channel
Hysteresis typ.	4 % Sde
Repeat accuracy	< 0,5 mm
Temperature drift	< 2 % Sde
Power-up drift	Compensated after 15 min.
Response time ton	< 40 ms
Release time toff	< 40 ms
Sonic frequency	200 kHz
Adjustment	qTeach, line-Teach, IO-Link
Output indicator	Yellow LED / red LED
Power on indication	LED green
Alignment measuring axis	< 2°

Electrical data

Voltage supply range +Vs	12 ... 30 VDC
Current consumption typ.	35 mA
Output circuit	Push-pull
Output current	< 100 mA
Voltage drop Vd	< 3,5 VDC
Residual ripple	< 10 % Vs
Short circuit protection	Yes

Electrical data

Reverse polarity protection	Yes
-----------------------------	-----

Communication interface

Interface	IO-Link V1.1
Baud rate	38,4 kBaud (COM 2)
Cycle time	≥ 12 ms
Process data length	48 Bit
Process data structure	Bit 0 = SSC1 (distance) Bit 1 = SSC2 (distance) Bit 2 = quality Bit 3 = alarm Bit 5 = SSC4 (counter) Bit 8-15 = scale factor Bit 16-47 = 32 Bit measurement

IO-Link port type

Additional data

Class A
Distance
Excess gain
Operating cycles
Operating hours
Boot cycles
Operating voltage
Device temperature
Histograms

U500.PA0.2-GP2J.72F

Ultrasonic 2 point proximity switch

Article number: 11200633

Technical data

Communication interface

Adjustable parameters	Time filters
	LED status indicators
	Output logic
	Output circuit
	Counter
	Beam forming
	Function of pin 5
	Deactivate the sensor element
Find Me function	

Mechanical data

Type	Rectangular
Housing material	Plastic (ASA, PMMA)

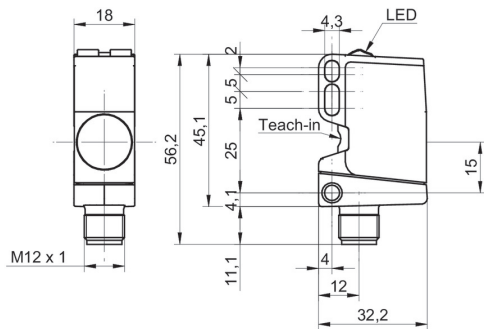
Mechanical data

Coating active face	PEEK
Width / diameter	18 mm
Height / length	45 mm
Depth	32 mm
Connection types	Connector M12 5 pin

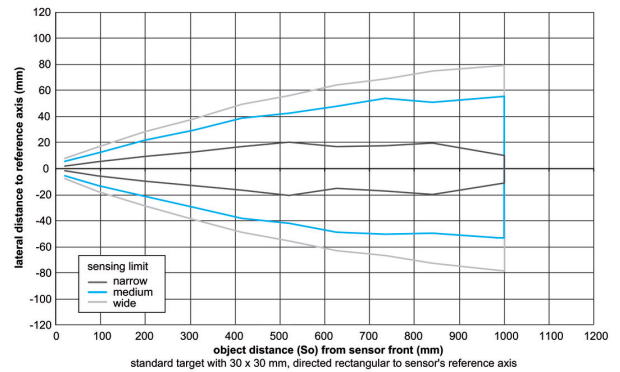
Ambient conditions

Operating temperature	-25 ... +65 °C
Storage temperature	-40 ... +75 °C
Protection class	IP 67

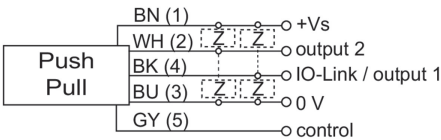
Dimension drawing



Typical sonic cone profile



Connection diagram



Pin assignment

