

## U500.PA0.2-GP2J.72F

Ultrasonic 2 point proximity switch

Article number: 11200633

### Overview

- 20 ... 1000 mm
- push-pull
- qTeach, line-Teach, IO-Link
- connector M12 5 pin
- -25 ... 65 °C
- IP 67



Picture similar



### Technical data

#### General data

|                              |  |
|------------------------------|--|
| Special type                 | 2 point proximity switch               |
| Scanning range Sd            | 20 ... 1000 mm                         |
| Scanning range far limit Sde | 20 ... 1000 mm                         |
| Version                      | IO-Link dual channel Multiplex version |
| Hysteresis typ.              | 4 % Sde                                |
| Repeat accuracy              | 0.5 mm                                 |
| Temperature drift            | < 2 % Sde                              |
| Power-up drift               | Compensated after 15 min.              |
| Response time ton            | < 40 ms                                |
| Release time toff            | < 40 ms                                |
| Sonic frequency              | 200 kHz                                |
| Adjustment                   | qTeach, line-Teach, IO-Link            |
| Output indicator             | Yellow LED / red LED                   |
| Power on indication          | LED green                              |
| Alignment measuring axis     | < 2°                                   |

#### Electrical data

|                          |               |
|--------------------------|---------------|
| Voltage supply range +Vs | 12 ... 30 VDC |
| Current consumption typ. | 35 mA         |
| Output circuit           | Push-pull     |
| Output current           | 100 mA        |
| Voltage drop Vd          | <3.5 VDC      |
| Residual ripple          | < 10 % Vs     |
| Short circuit protection | Yes           |

#### Electrical data

|                             |     |
|-----------------------------|-----|
| Reverse polarity protection | Yes |
|-----------------------------|-----|

#### Communication interface

|                        |   |
|------------------------|---|
| Interface              | IO-Link V1.1  |
| Baud rate              | 38,4 kBaud (COM 2)  |
| Cycle time             | ≥ 12 ms   |
| Process data length    | 48 Bit  |
| Process data structure | Bit 0 = SSC1 (distance)<br>Bit 1 = SSC2 (distance)<br>Bit 2 = quality<br>Bit 3 = alarm<br>Bit 5 = SSC4 (counter)<br>Bit 8-15 = scale factor<br>Bit 16-47 = 32 Bit measurement |

|                   |         |
|-------------------|---------|
| IO-Link port type | Class A |
|-------------------|---------|

|                 |  |
|-----------------|--|
| Additional data | Distance<br>Excess gain<br>Operating cycles<br>Operating hours<br>Boot cycles<br>Operating voltage<br>Device temperature<br>Histograms |
|-----------------|--|

# U500.PA0.2-GP2J.72F

Ultrasonic 2 point proximity switch

Article number: 11200633

## Technical data

### Communication interface

|                       |                               |
|-----------------------|-------------------------------|
| Adjustable parameters | Time filters                  |
|                       | LED status indicators         |
|                       | Output logic                  |
|                       | Output circuit                |
|                       | Counter                       |
|                       | Beam forming                  |
|                       | Function of pin 5             |
|                       | Deactivate the sensor element |
|                       | Find Me function              |

### Mechanical data

|                  |                     |
|------------------|---------------------|
| Design           | Rectangular         |
| Housing material | Plastic (ASA, PMMA) |

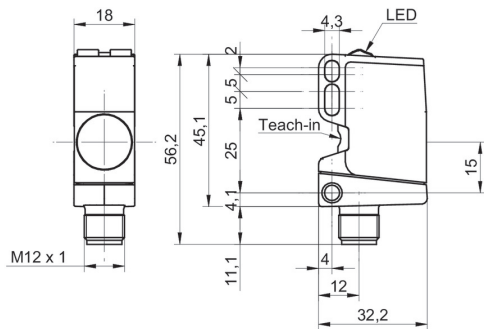
### Mechanical data

|                     |                     |
|---------------------|---------------------|
| Coating active face | PEEK                |
| Width / diameter    | 18 mm               |
| Height / length     | 45 mm               |
| Depth               | 32 mm               |
| Connection types    | Connector M12 5 pin |

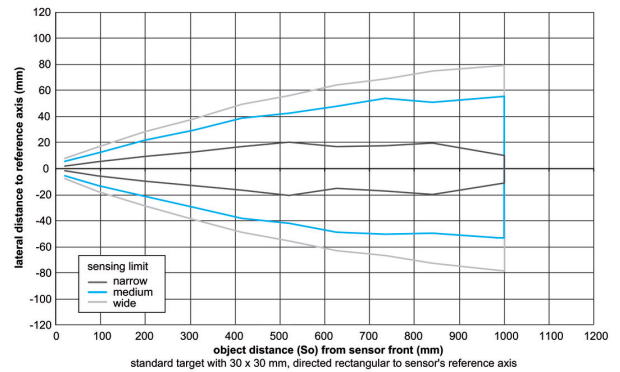
### Ambient conditions

|                       |                |
|-----------------------|----------------|
| Operating temperature | -25 ... +65 °C |
| Storage temperature   | -40 ... +75 °C |
| Protection class      | IP 67          |

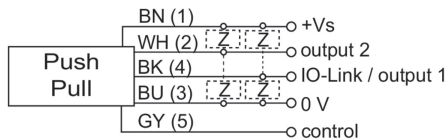
## Dimension drawing



## Typical sonic cone profile



## Connection diagram



## Pin assignment

