

## U750.DB5-UA1Z.73D/E005

Ultrasonic distance measuring sensors - designed for reliability

Article number: 11171931

### Overview

- 100 ... 2300 mm
- voltage output
- connector DT13-4P 4 pin
- -20 ... 70 °C
- IP 67



Picture similar



### Technical data

#### General data

|                                |   |
|--------------------------------|---|
| Scanning range Sd              | 100 ... 2300 mm   |
| Scanning range close limit Sdc | 100 ... 2300 mm   |
| Scanning range far limit Sde   | 100 ... 2300 mm   |
| Repeat accuracy                | 5 mm  |
| Resolution                     | < 1 mm  |
| Response time ton              | < 3000 ms   |
| Release time toff              | < 3000 ms   |
| Temperature drift              | < 2 % of distance to target So  |
| Sonic frequency                | 80 kHz (230 kHz)  |
| Approvals/certificates         | EN 60947-5-2:2007<br>EN 13309:2010<br>EN ISO 14982:2009<br>ISO 13766:2006 |

#### Electrical data

|                                    |                 |
|------------------------------------|-----------------|
| Voltage supply range +Vs           | 4.8 ... 5.2 VDC |
| Current consumption max. (no load) | 120 mA          |

#### Electrical data

|                             |                 |
|-----------------------------|-----------------|
| Current consumption typ.    | 120 mA          |
| Output circuit              | Voltage output  |
| Output signal               | 0,5 ... 4,5 VDC |
| Load resistance +Vs max.    | < 1500 Ohm      |
| Short circuit protection    | No              |
| Reverse polarity protection | Yes, Vs to GND  |

#### Mechanical data

|                  |                         |
|------------------|-------------------------|
| Type             | Rectangular             |
| Housing material | Plastic (PA 10T/X)      |
| Width / diameter | 70 mm                   |
| Height / length  | 48 mm                   |
| Depth            | 115 mm                  |
| Connection types | Connector DT13-4P 4 pin |

#### Ambient conditions

|                       |                |
|-----------------------|----------------|
| Operating temperature | -20 ... +70 °C |
| Storage temperature   | -40 ... +85 °C |
| Protection class      | IP 67          |

### Remarks

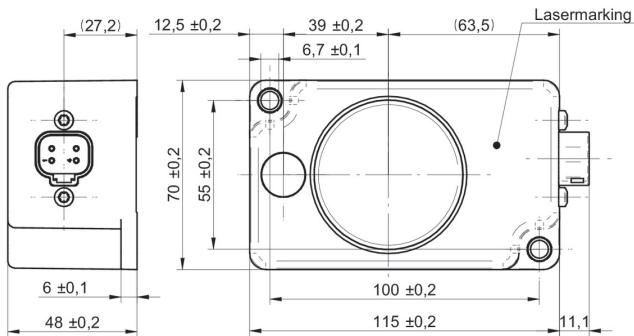
- For filling level applications
- Small blind range

# U750.DB5-UA1Z.73D/E005

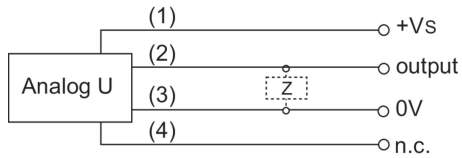
Ultrasonic distance measuring sensors - designed for reliability

Article number: 11171931

## Dimension drawing



## Connection diagram



## Pin assignment

